

APPLICATIONS:

- ANALOG VOICE / VOIP / IPTV
- 10 / 100 / 1000 BASE-T ETHERNET
- IEEE 802.3 AF / AT PoE

SPECIFICATIONS:

- ANSI / TIA-568-C.2 CATEGORY 5e LINK AND CHANNEL
- ANSI / TIA-968-A
- IEC 60603-7

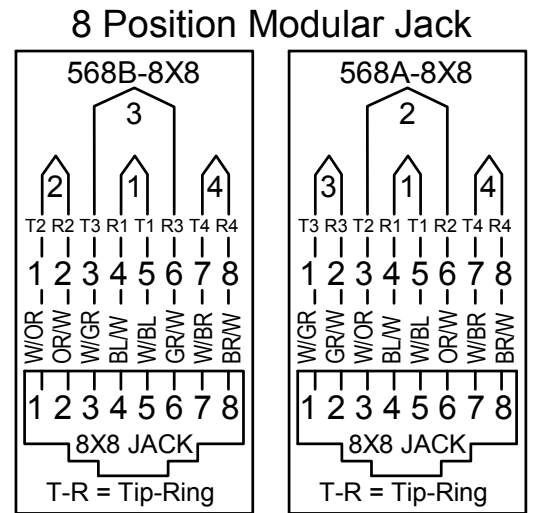
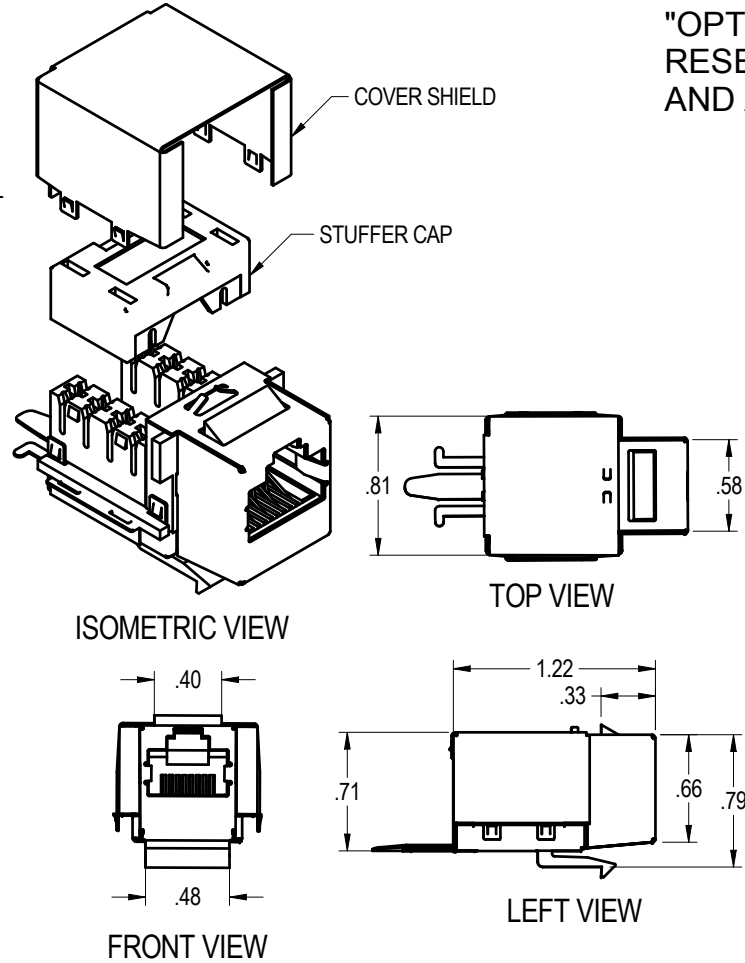
MATERIALS:

- JACK HOUSING: UL 94V-0 RATED THERMOPLASTIC SHIELD: 90 MICRO-INCH TIN PLATING OVER .010 THICK COPPER ALLOY
- MODULAR INTERFACE MATING CONTACT
- MATERIAL: BERYLLIUM COPPER
- PLATING: 50 MICRO-INCH (MIN) HARD GOLD OVER 100 MICRO-INCH (MIN) NICKEL OR APPROVED ALTERNATE PLATING PROCESS
- INSERTIONS / WITHDRAWALS: ≥ 750
- 110-STYLE IDC TERMINAL
- MATERIAL: PHOSPHOR BRONZE
- PLATING: 100 MICRO-INCH (MIN) MATTE TIN OVER 50 MICRO-INCH (MIN) NICKEL
- WIRE GAUGE RANGE: 22-26 AWG
- INSERTIONS / WITHDRAWALS: ≥ 200

CODE & COMPLIANCE:

- UL LISTED
- CSA CERTIFIED
- E.U. RoHS DIRECTIVE 2002/95/EC COMPLIANT

"OPTICAL CABLE CORPORATION (OCC) RESERVES THE RIGHT TO REVISE ANY AND ALL DESIGN SPECIFICATIONS."

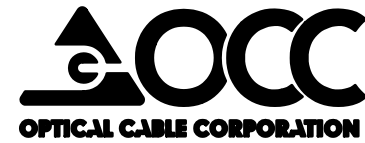


UNCONTROLLED COPY

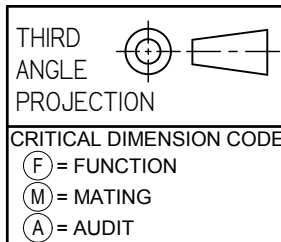
KMJVL8A/B02S	KMJ, SHIELDED, CAT 5e, LEADFRAME, UNIV, OCC
OCC PART NO.	DESCRIPTION

UNLESS OTHERWISE SPECIFIED DIMENSIONS ARE IN INCHES. TOLERANCES: FRACTIONS $\pm 1/32"$ ANGLES $\pm 1/2^\circ$ 3 PLACE DECIMALS $\pm .005"$ 2 PLACE DECIMALS $\pm .01"$

THIS DRAWING AND THE DESIGN SHOWN ARE THE PROPERTY OF OPTICAL CABLE CORPORATION AND MAY NOT BE USED AS THE BASIS FOR MANUFACTURE OR SALE WITHOUT SPECIFIC WRITTEN PERMISSION OF OPTICAL CABLE CORPORATION.



33 Superior Way
Swannanoa, NC 28778
Phone: 828-298-2260
Fax: 828-298-2487
www.occfiber.com



MATERIAL SEE NOTES

FINISH SEE NOTES

DRAWN	D.A.HOLBERT	DATE	7/30/01
CHECKED	R.B.SMITH	DATE	11/15/01
ENGINEER	J.YANIK	DATE	7/30/01
APPROVED	J.CALLOWAY	DATE	11/20/14
PREVIOUS DWG			
NEXT DWG		FILENAME	C102122J.DFT

DWG TITLE			CUSTOMER DRAWING, KMJ, LEADFRAME, CAT 5e, SHIELDED		
SIZE	DWG NO.	C102122		REV	J
A		SCALE:	NONE	SHEET	1 OF 1