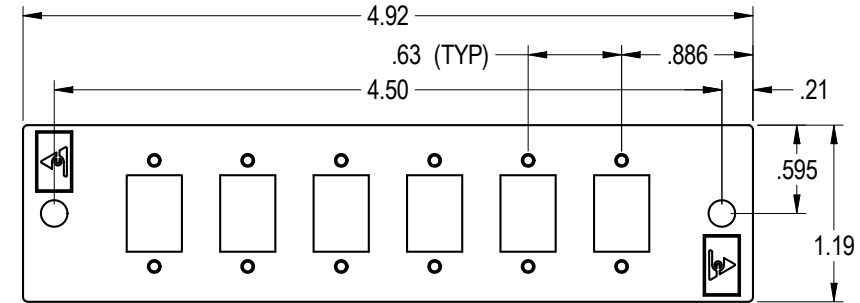
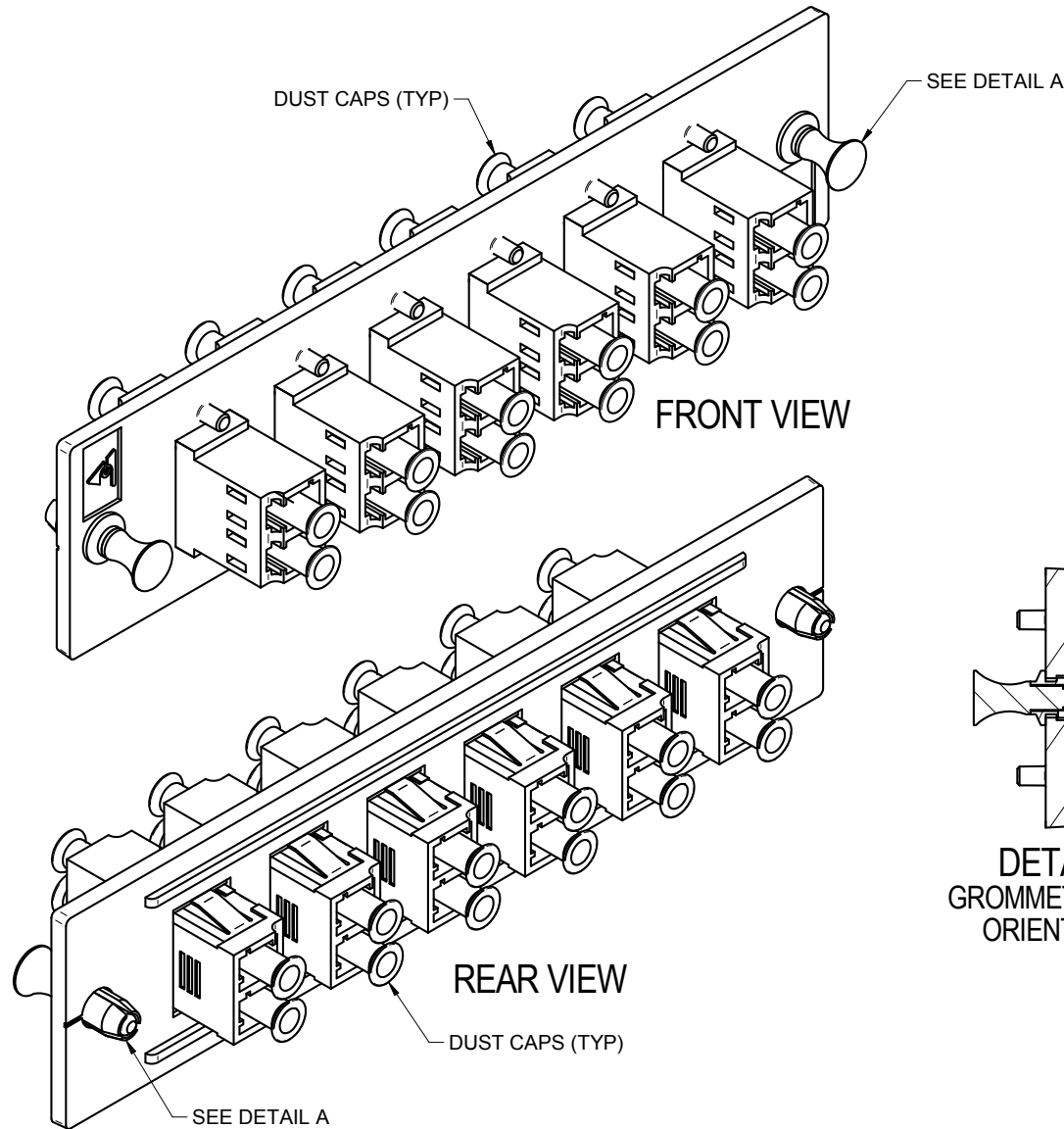
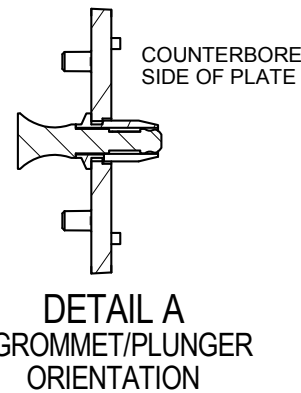


REVISION HISTORY				
REV	SHT	DESCRIPTION	DATE	CHECKED
A	ALL	RELEASE NEW	8/1/08	NEW RBS
B	-	CHGD: OVERALL DESIGN OF KEY SLOTS IN ADAPTERS	11/12/10	- JH



ADAPTER PLATE (FOR CLARITY)



LAX6112DLCBK	ADAPTER PLATE ASSY, DLCX6, KEY, LAX, SM/MM, BLACK
LAX6112DLCAQ	ADAPTER PLATE ASSY, DLCX6, KEY, LAX, SM/MM, AQUA
LAX6112DLCRS	ADAPTER PLATE ASSY, DLCX6, KEY, LAX, SM/MM, ROSE
LAX6112DLCPL	ADAPTER PLATE ASSY, DLCX6, KEY, LAX, SM/MM, VIOLET
LAX6112DLCYL	ADAPTER PLATE ASSY, DLCX6, KEY, LAX, SM/MM, YELLOW
LAX6112DLCPK	ADAPTER PLATE ASSY, DLCX6, KEY, LAX, SM/MM, PINK
LAX6112DLCRD	ADAPTER PLATE ASSY, DLCX6, KEY, LAX, SM/MM, RED
LAX6112DLCWT	ADAPTER PLATE ASSY, DLCX6, KEY, LAX, SM/MM, WHITE
LAX6112DLCSL	ADAPTER PLATE ASSY, DLCX6, KEY, LAX, SM/MM, SLATE
LAX6112DLCBN	ADAPTER PLATE ASSY, DLCX6, KEY, LAX, SM/MM, BROWN
LAX6112DLCGN	DAAPTER PLATE ASSY, DLCX6, KEY, LAX, SM/MM, GREEN
LAX6112DLCOR	ADAPTER PLATE ASSY, DLCX6, KEY, LAX, SM/MM, ORANGE
LAX6112DLCBL	ADAPTER PLATE ASSY, DLCX6, KEY, LAX, SM/MM, BLUE

OCC PART NO.	DESCRIPTION
<p>UNLESS OTHERWISE SPECIFIED DIMENSIONS ARE IN INCHES. TOLERANCES: FRACTIONS ±1/32" ANGLES ±1/2° 3 PLACE DECIMALS ±.005" 2 PLACE DECIMALS ±.01"</p> <p>THIS DRAWING AND THE DESIGN SHOWN ARE THE PROPERTY OF OPTICAL CABLE CORPORATION AND MAY NOT BE USED AS THE BASIS FOR MANUFACTURE OR SALE WITHOUT SPECIFIC WRITTEN PERMISSION OF OPTICAL CABLE CORPORATION.</p>	
DRAWN D.A.HOLBERT	DATE 8/1/08
CHECKED R.B.SMITH	DATE 8/1/08
ENGINEER J.YANIK	DATE 8/1/08
APPROVED J.HOWE	DATE 11/12/10
PREVIOUS DWG	
NEXT DWG	FILENAME C108954B.DFT

<p>33 Superior Way Swannanoa, NC 28778 Phone: 828-298-2260 Fax: 828-298-2487 www.occfiber.com</p>	
<p>DWG TITLE ADAPTER PLATE ASSY, DLC X 6, KEYED, LIM. ACCESS</p>	
SIZE B	DWG NO. C108954
SCALE: NONE	SHEET 1 OF 1
REV B	

NOTICE: POSITIONING OF KEYED RIDGES AND KEYED GROOVES MAY BE OPPOSITE OF SHOWN ACCORDING TO HOUSING COLOR CODING.

UNCONTROLLED COPY

THIRD ANGLE PROJECTION	
CRITICAL DIMENSION CODE	(F) = FUNCTION (M) = MATING (A) = AUDIT

MATERIAL	SEE BILL OF MATERIAL
FINISH	SEE NOTES

DATE	8/1/08
DATE	8/1/08
DATE	8/1/08
DATE	11/12/10