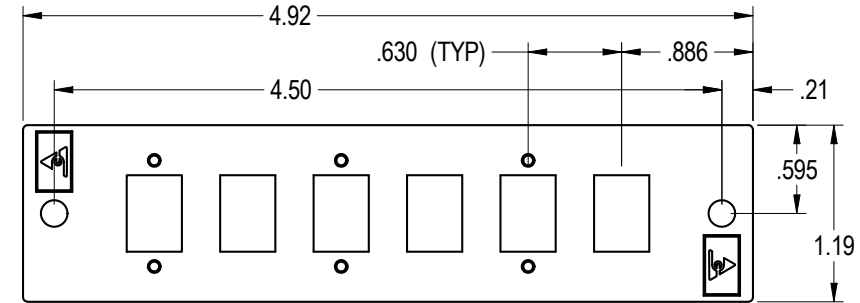
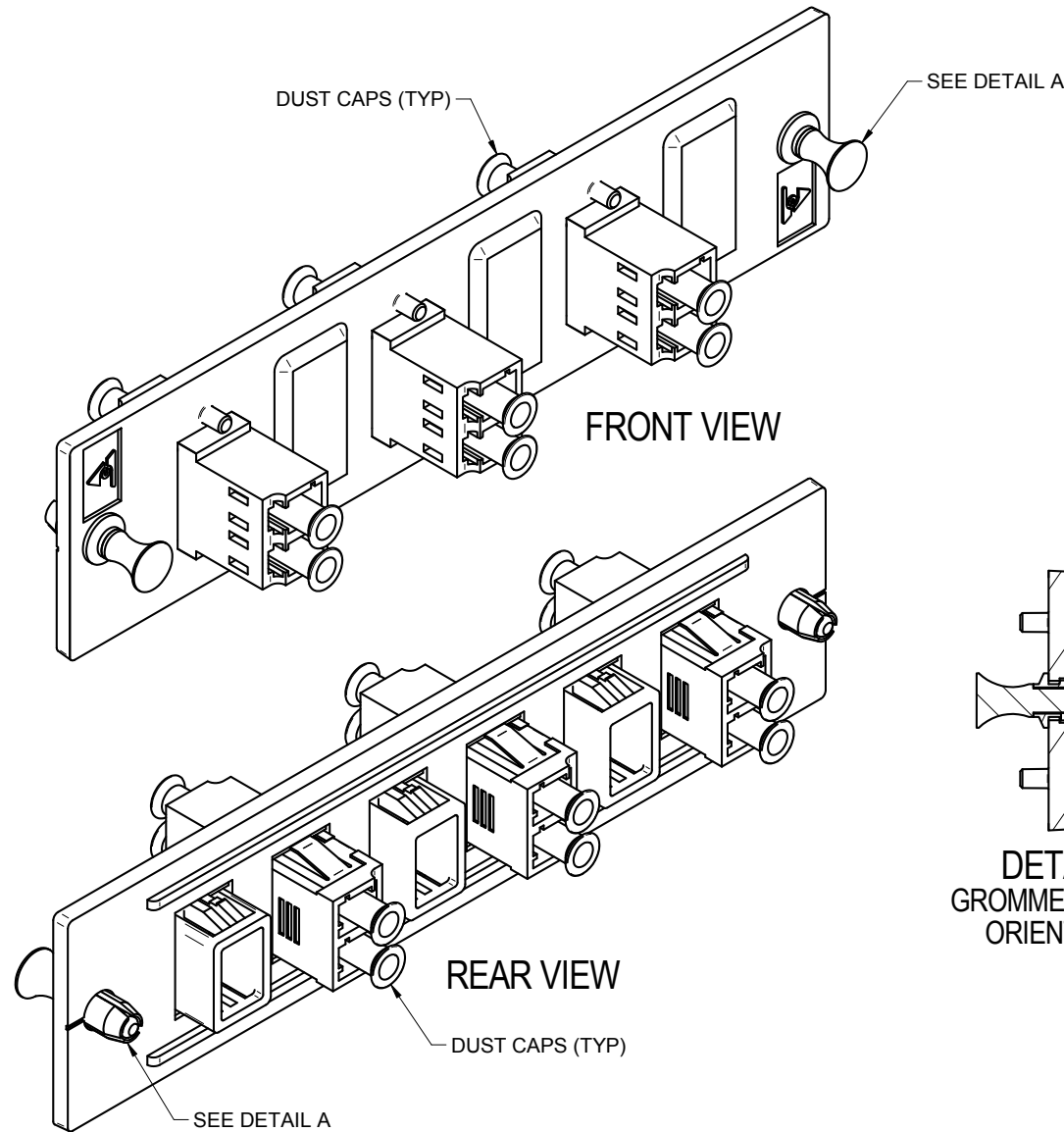
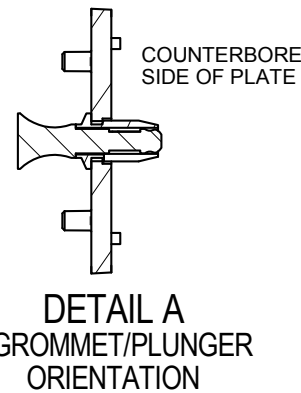


REVISION HISTORY				
REV	SHT	DESCRIPTION	DATE	CHECKED
A	ALL	RELEASE NEW	8/1/08	NEW RBS
B	-	CHGD: OVERALL DESIGN OF KEY SLOTS IN ADAPTERS	11/12/10	- JH



ADAPTER PLATE (FOR CLARITY)



LAX616DLCBK	ADAPTER PLATE ASSY, DLCX3, KEY, LAX, SM/MM, BLACK
LAX616DLCAQ	ADAPTER PLATE ASSY, DLCX3, KEY, LAX, SM/MM, AQUA
LAX616DLCRS	ADAPTER PLATE ASSY, DLCX3, KEY, LAX, SM/MM, ROSE
LAX616DLCPL	ADAPTER PLATE ASSY, DLCX3, KEY, LAX, SM/MM, VIOLET
LAX616DLCYL	ADAPTER PLATE ASSY, DLCX3, KEY, LAX, SM/MM, YELLOW
LAX616DLCPK	ADAPTER PLATE ASSY, DLCX3, KEY, LAX, SM/MM, PINK
LAX616DLCRD	ADAPTER PLATE ASSY, DLCX3, KEY, LAX, SM/MM, RED
LAX616DLCWT	ADAPTER PLATE ASSY, DLCX3, KEY, LAX, SM/MM, WHITE
LAX616DLCSL	ADAPTER PLATE ASSY, DLCX3, KEY, LAX, SM/MM, SLATE
LAX616DLCBN	ADAPTER PLATE ASSY, DLCX3, KEY, LAX, SM/MM, BROWN
LAX616DLCGN	DAAPTER PLATE ASSY, DLCX3, KEY, LAX, SM/MM, GREEN
LAX616DLCOR	ADAPTER PLATE ASSY, DLCX3, KEY, LAX, SM/MM, ORANGE
LAX616DLCBL	ADAPTER PLATE ASSY, DLCX3, KEY, LAX, SM/MM, BLUE

OCC PART NO.	DESCRIPTION
<p>UNLESS OTHERWISE SPECIFIED DIMENSIONS ARE IN INCHES. TOLERANCES: FRACTIONS ±1/32" ANGLES ±1/2° 3 PLACE DECIMALS ±.005" 2 PLACE DECIMALS ±.01"</p> <p>THIS DRAWING AND THE DESIGN SHOWN ARE THE PROPERTY OF OPTICAL CABLE CORPORATION AND MAY NOT BE USED AS THE BASIS FOR MANUFACTURE OR SALE WITHOUT SPECIFIC WRITTEN PERMISSION OF OPTICAL CABLE CORPORATION.</p>	
DRAWN D.A.HOLBERT	DATE 8/1/08
CHECKED R.B.SMITH	DATE 8/1/08
ENGINEER J.YANIK	DATE 8/1/08
APPROVED J.HOWE	DATE 11/12/10
PREVIOUS DWG	
NEXT DWG	FILENAME C108953B.DFT

<p>33 Superior Way Swannanoa, NC 28778 Phone: 828-298-2260 Fax: 828-298-2487 www.occfiber.com</p>	
<p>DWG TITLE ADAPTER PLATE ASSY, DLC X 3, KEYED, LIM. ACCESS</p>	
SIZE B	DWG NO. C108953
REV B	
SCALE: NONE	SHEET 1 OF 1

NOTICE: POSITIONING OF KEYED RIDGES AND KEYED GROOVES MAY BE OPPOSITE OF SHOWN ACCORDING TO HOUSING COLOR CODING.

UNCONTROLLED COPY

THIRD ANGLE PROJECTION	
CRITICAL DIMENSION CODE	(F) = FUNCTION (M) = MATING (A) = AUDIT

MATERIAL	SEE BILL OF MATERIAL
FINISH	SEE NOTES

DATE	8/1/08
DATE	8/1/08
DATE	8/1/08
DATE	11/12/10
DATE	
DATE	