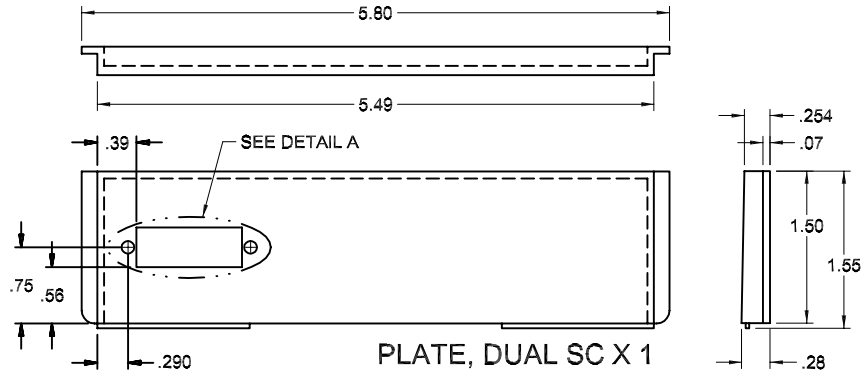
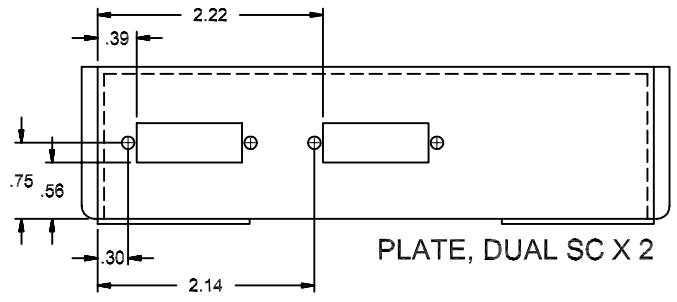


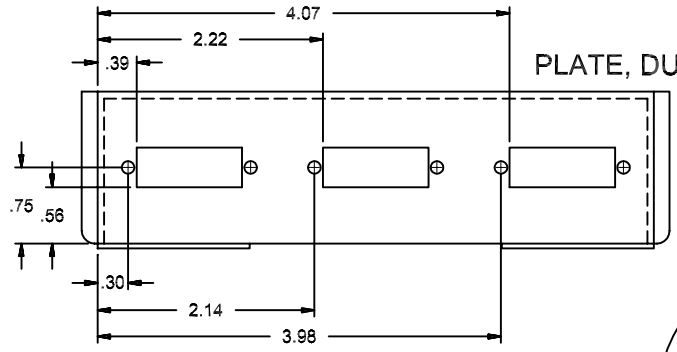
REVISION HISTORY					
REV	SHT	DESCRIPTION	DATE	ECN	CHECKED
A	ALL	RELEASE NEW	8/16/02	NEW	JFM
B	-	UPDATED ISOMETRIC VIEWS	8/22/02	-	JY
C	-	ADDED ELEC. IVORY PLATE COLOR OPTION	2/17/06	-	JFM
D	-	ADDED DETAIL VIEWS OF DUAL SC ADAPTER	11/13/06	-	RBS
E	-	ADDED GENERAL NOTES	7/20/07	-	RBS



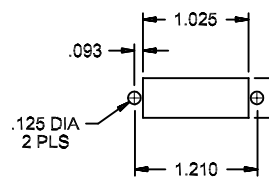
PLATE, DUAL SC X 1



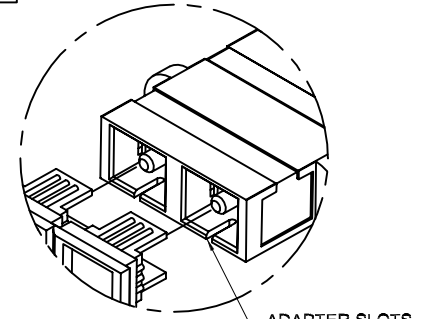
PLATE, DUAL SC X 2



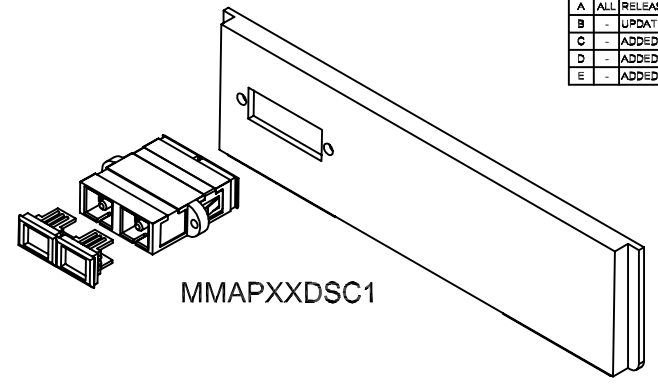
PLATE, DUAL SC X 3



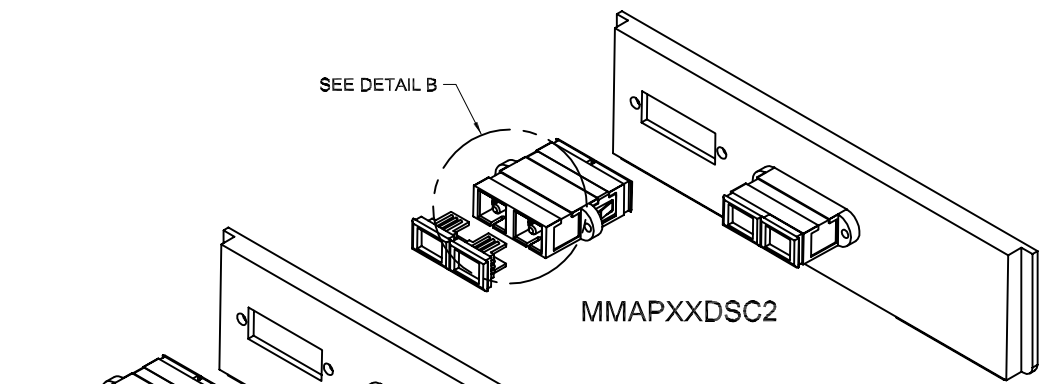
DETAIL A



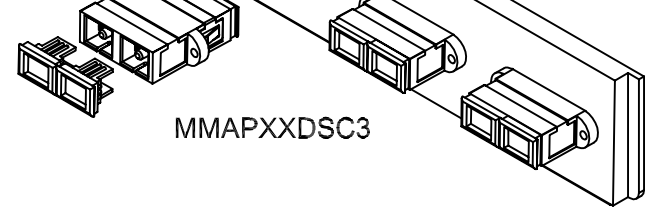
DETAIL B ADAPTER SLOTS (FACING DOWN)



MMAPXXDSC1



MMAPXXDSC2

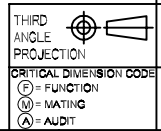


MMAPXXDSC3

MMAP00DSC3	MULTIMEDIA AXCESS PLATE, ELEC. IVORY, DSC X 3 MTG
MMAP00DSC2	MULTIMEDIA AXCESS PLATE, ELEC. IVORY, DSC x 2 MTG
MMAP00DSC1	MULTIMEDIA AXCESS PLATE, ELEC. IVORY, DSC x 1 MTG
MMAP01DSC3	MULTIMEDIA AXCESS PLATE, OFF. WHITE, DSC x 3 MTG
MMAP01DSC2	MULTIMEDIA AXCESS PLATE, OFF. WHITE, DSC x 2 MTG
MMAP01DSC1	MULTIMEDIA AXCESS PLATE, OFF. WHITE, DSC x 1 MTG
OCC PART NO.	DESCRIPTION

NOTES: UNLESS OTHERWISE SPECIFIED.
 1. "XX" IN PART NUMBER DESIGNATES COLOR.
 WHERE: 01 = OFFICE WHITE
 00 = ELEC. IVORY

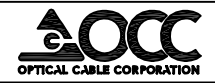
UNCONTROLLED COPY



THIRD ANGLE PROJECTION
 CRITICAL DIMENSION CODE
 (F) = FUNCTION
 (M) = MATING
 (A) = AUDIT

UNLESS OTHERWISE SPECIFIED DIMENSIONS ARE IN INCHES
 TOLERANCES: FRACTIONS ±1/32"
 ANGLES ±1/2°
 3 PLACE DECIMALS ±.005"
 2 PLACE DECIMALS ±.01"

THIS DRAWING AND THE DESIGN SHOWN ARE THE PROPERTY OF OPTICAL CABLE CORPORATION AND MAY NOT BE USED AS THE BASIS FOR MANUFACTURE OR SALE WITHOUT SPECIFIC WRITTEN PERMISSION OF OPTICAL CABLE CORPORATION.
 DRAWN: D.A.HOLBERT DATE: 8/16/02
 CHECKED: R.B.SMITH DATE: 11/13/06
 ENGINEER: J.YANIK DATE: 8/15/02
 APPROVED: R.B.SMITH DATE: 7/20/07
 PREVIOUS DWG:
 NEXT DWG:



6280 Concourse Drive
 Roanoke, VA 24018
 Phone: 800-822-7711
 Fax: 540-265-0724
 www.occfiber.com

DWG TITLE: CUSTOMER DRAWING, MULTIMEDIA AXCESS PLATE
 SIZE: C DWG NO.: C105482 REV: E
 SCALE: NONE SHEET: 1 OF 1

FILENAME: C105482E.DFT