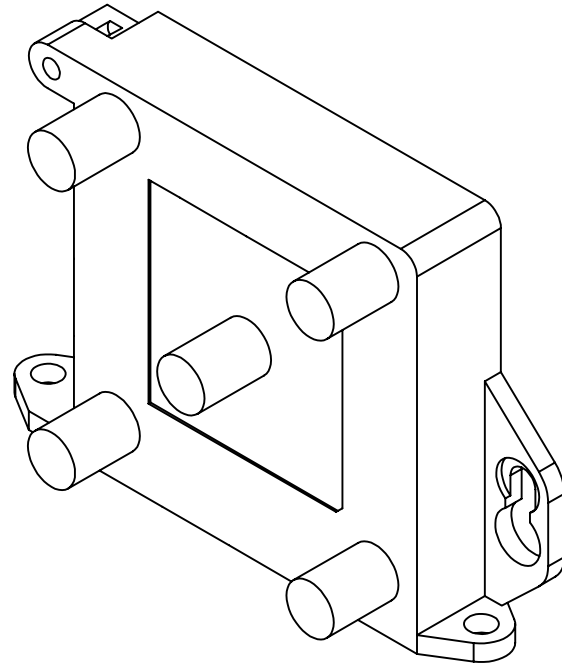
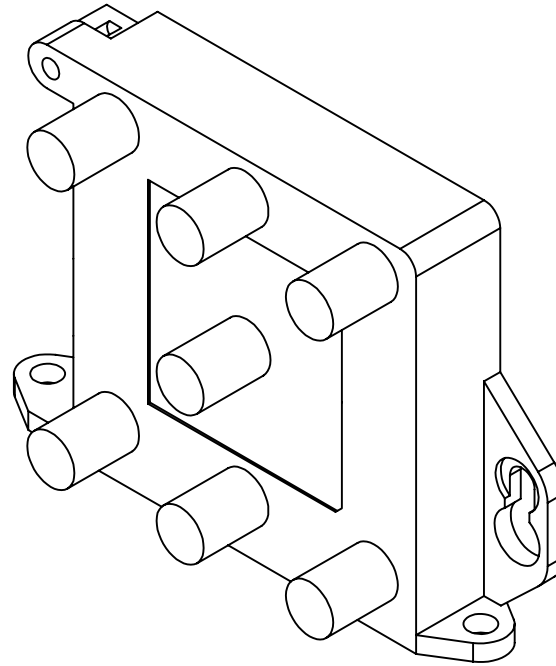


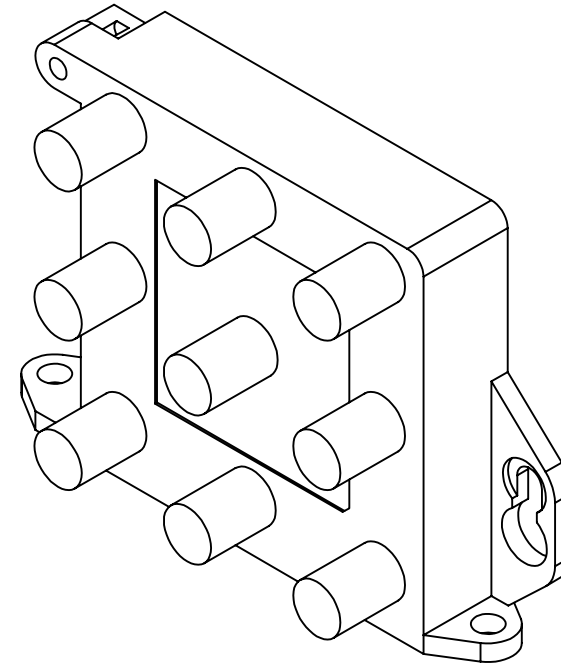
		REVISIONS			
REV	SHT	DESCRIPTION	DATE	ECN	CHECKED
A	ALL	RELEASE NEW	4/30/02	NEW	RBS
B	-	UPDATED: DRAWING VIEWS	7/28/03	-	DAH



MOD-V4



MOD-V6



MOD-V8

MOD-V8	SPLITTER/COMBINER, 8-WAY
MOD-V6	SPLITTER/COMBINER, 6-WAY
MOD-V4	SPLITTER/COMBINER, 4-WAY
OCC PART NO.	DESCRIPTION

UNCONTROLLED COPY

UNLESS OTHERWISE SPECIFIED
DIMENSIONS ARE IN INCHES
TOLERANCES:
FRACTIONS $\pm 1/32"$
ANGLES $\pm 1/2"$
3 PLACE DECIMALS $\pm .005"$
2 PLACE DECIMALS $\pm .01"$

THIS DRAWING AND THE DESIGN SHOWN ARE THE
PROPERTY OF OPTICAL CABLE CORPORATION AND
MAY NOT BE USED AS THE BASIS FOR MANU-
FACTURE OR SALE WITHOUT SPECIFIC WRITTEN
PERMISSION OF OPTICAL CABLE CORPORATION.



5290 Concourse Drive
Roanoke, VA 24019
Phone: 800-622-7711
Fax: 540-265-0724
www.occfiber.com

THIRD ANGLE PROJECTION

MATERIAL
THERMOPLASTIC
SEE BILL OF MATERIAL

CRITICAL DIMENSION CODE
Ⓢ = FUNCTION
Ⓜ = MATING
Ⓐ = AUDIT

FINISH
SEE NOTES

DRAWN BY	D.A.HOLBERT	DATE	4/30/02
CHECKED BY	R.B.SMITH	DATE	5/22/02
ENGINEER	J.YANIK	DATE	4/30/02
APPROVED	H.JOHNSON	DATE	4/20/10
PREVIOUS DWG			
NEXT DWG			

DWG TITLE		MODULE ASSEMBLY, MOD-V4 (V6, V8)	
SIZE	B	DWG NO.	C103835
SCALE	NONE	SHEET	1 OF 1
REV	B	FILENAME	C103835B.DWG