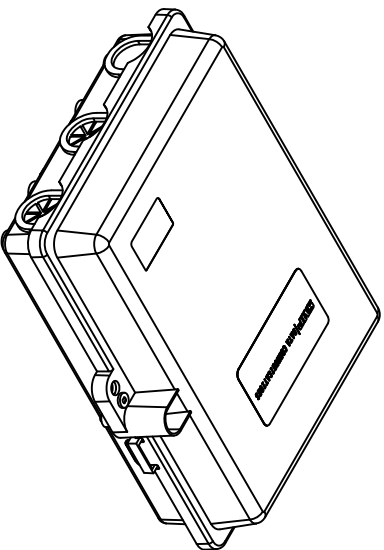
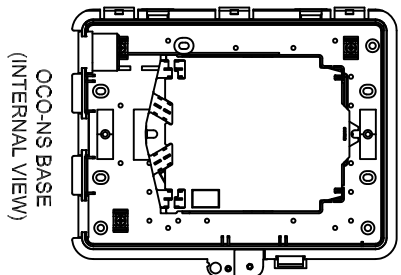
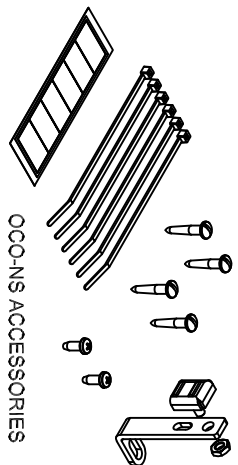
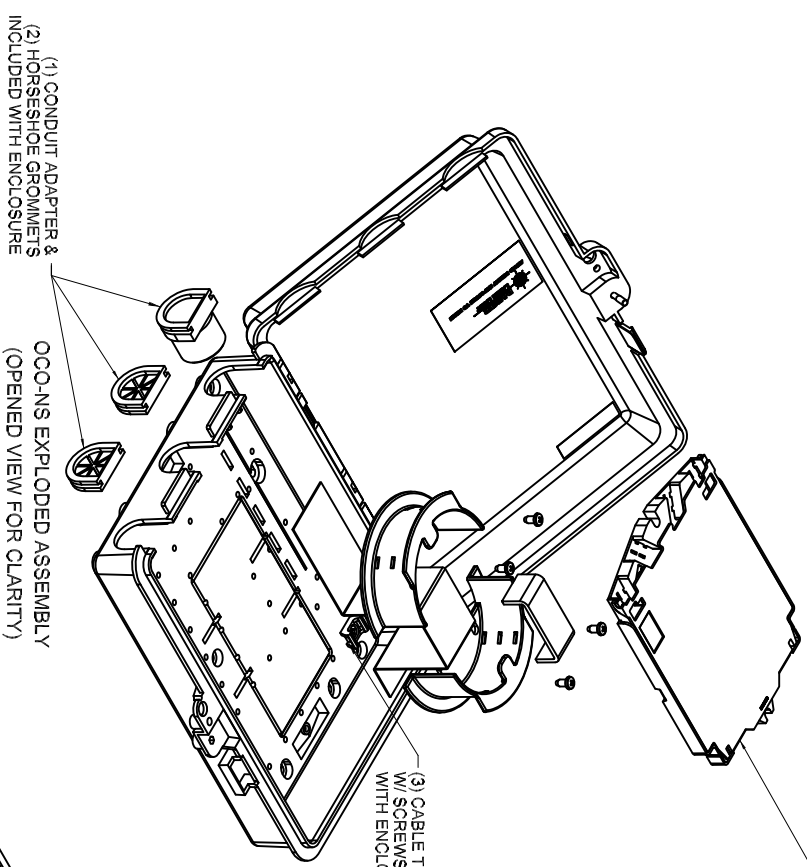
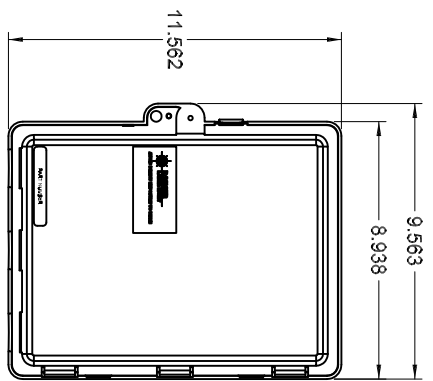
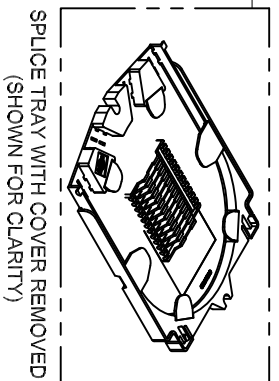


REV	DATE	BY	CHKD	DESCRIPTION
1	8/15/07	JV		RELEASE NEW
2				NEW



OPTICAL PART NO.	DESCRIPTION
OCC-NS	ASSY, ENCLOSURE, WALL MT, FIBER, OCC-NS

UNLESS OTHERWISE SPECIFIED, DIMENSIONS ARE IN INCHES. DIMENSIONS IN PARENTHESES ARE DECIMAL INCHES. 3 PLACE DECIMALS & 30°

THIS DRAWING AND THE DESIGN IT CONTAINS ARE THE PROPERTY OF OCC CORPORATION. NO PART OF THIS DRAWING OR THE INFORMATION CONTAINED HEREIN IS TO BE REPRODUCED OR TRANSMITTED IN ANY FORM OR BY ANY MEANS, ELECTRONIC OR MECHANICAL, INCLUDING PHOTOCOPYING, RECORDING, OR BY ANY INFORMATION STORAGE AND RETRIEVAL SYSTEM, WITHOUT THE WRITTEN PERMISSION OF OCC CORPORATION.

8280 Concourse Drive
Roanoke, VA 24019
Phone: 800-522-7711
Fax: 540-265-0724
www.occc.com

SEE BILL OF MATERIAL

SEE BILL OF MATERIAL

DATE 08/15/07
DATE 08/15/07
DATE 08/15/07

DESIGNED BY Jay Marbis
ENGINEER J. Vanik
APPROVED R.B Smith
PREPARED BY J. Vanik

DWG TITLE
ASSY, ENCLOSURE, WALL MT, FIBER, OCC-NS

SIZE C
DWG NO C108456
REV A

FILENAME C108456A.DWG
SCALE NONE
SHEET 1 OF 1

THIRD ANGLE PROJECTION
OPTICAL DIMENSION CODE
P = FUNCTION
M = MATING
A = AUDIT