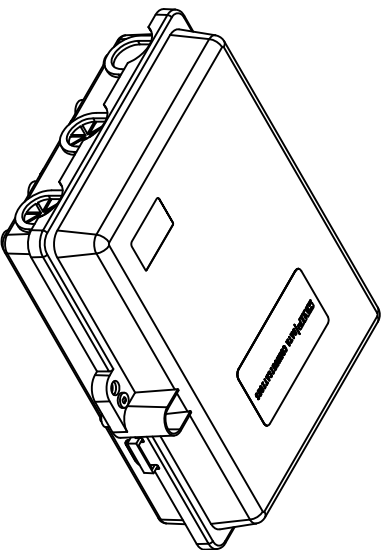
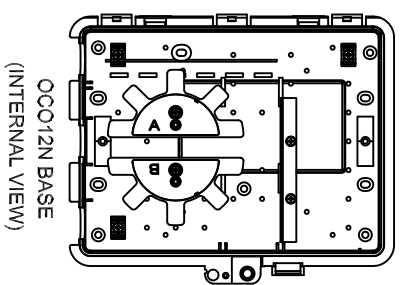
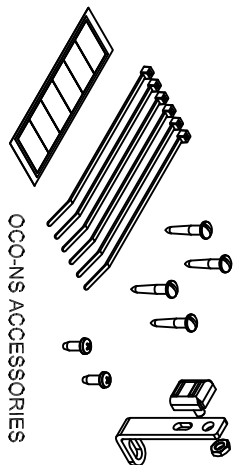
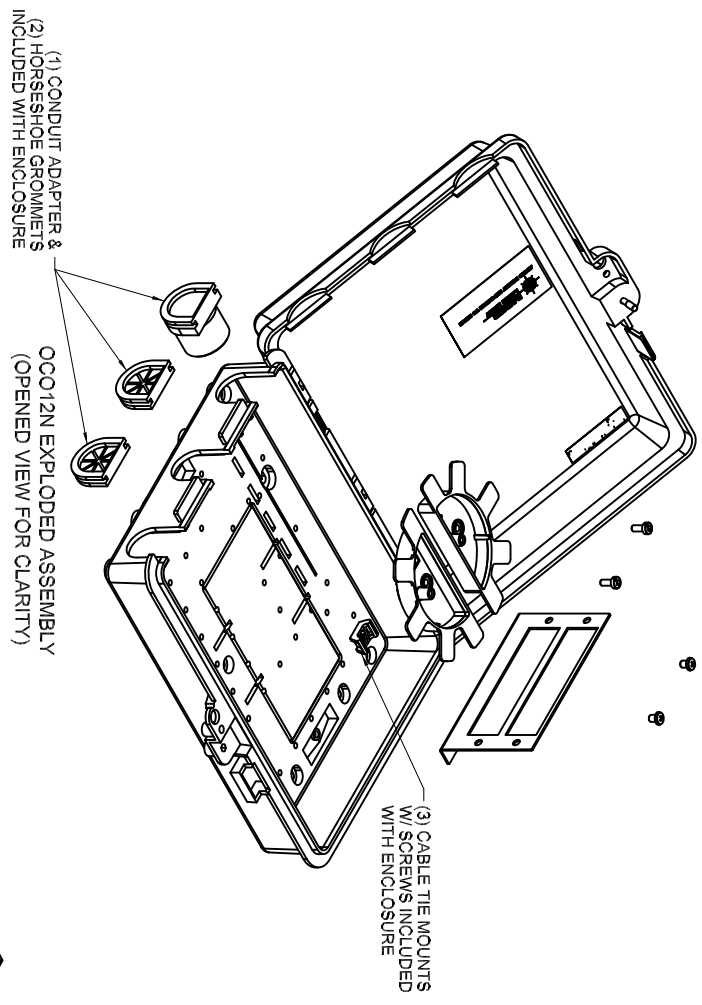
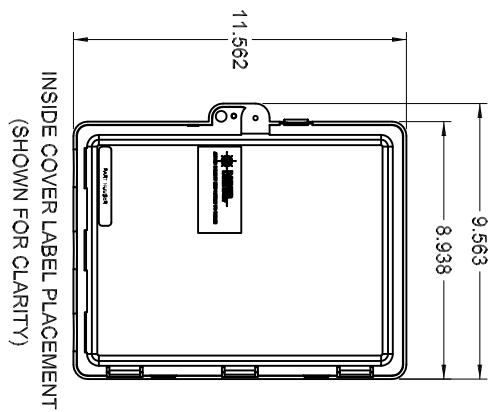


REVISED	DESCRIPTION	DATE	BY	CHECKED
A	RELEASE NEW	10/17/07	NEW	JRW



COMPLETE ASSEMBLY

UNCONTROLLED COPY

THIRD ANGLE PROJECTION	OPTICAL P/N	DESCRIPTION	DWG TITLE
	OCO12N	ASSY, ENCLOSURE, WALL MT, FIBER, OCO12N	ASSEMBLY, ENCLOSURE, WALL MOUNT, FIBER, OCO12N
	<small>UNLESS OTHERWISE SPECIFIED DIMENSIONS ARE IN INCHES DECIMALS ARE TO THE NEAREST 0.005 ANGLES TO THE NEAREST 0.01</small>	<small>THIS DRAWING AND THE DESIGN SHALL HAVE THE FORCE OF A CONTRACT BETWEEN THE MANUFACTURER AND THE BUYER. THE BUYER'S ACCEPTANCE OF THIS DRAWING SHALL BE DEEMED TO BE ACCEPTANCE OF THE DESIGN AND SPECIFICATIONS OF THIS DRAWING. THE BUYER'S ACCEPTANCE OF THIS DRAWING SHALL NOT BE A WARRANTY OF FITNESS FOR A PARTICULAR PURPOSE OR OF MERCHANTABILITY.</small>	
	SEE BILL OF MATERIAL	<small>CHECKED: J.MALTAIS DATE: 10/17/07</small> <small>ENGINEER: J.VANIK DATE: 10/17/07</small> <small>APPROVED: R.B. SMITH DATE: 10/15/07</small> <small>PREVIOUS DWG: _____</small> <small>NEXT DWG: _____</small>	<small>5280 Concourse Drive</small> <small>Roanoke, VA 24018</small> <small>Phone: 800-822-7711</small> <small>Fax: 540-268-0724</small> <small>www.aocfiber.com</small>
	SEE BILL OF MATERIAL	<small>FILENAME: C108548A.DWG</small>	<small>SCALE: NONE</small>
		<small>SIZE: DWG</small>	<small>SHEET: 1 OF 1</small>
		<small>REV: A</small>	