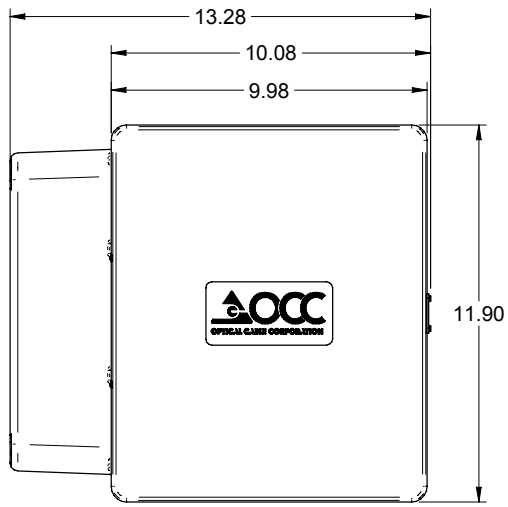
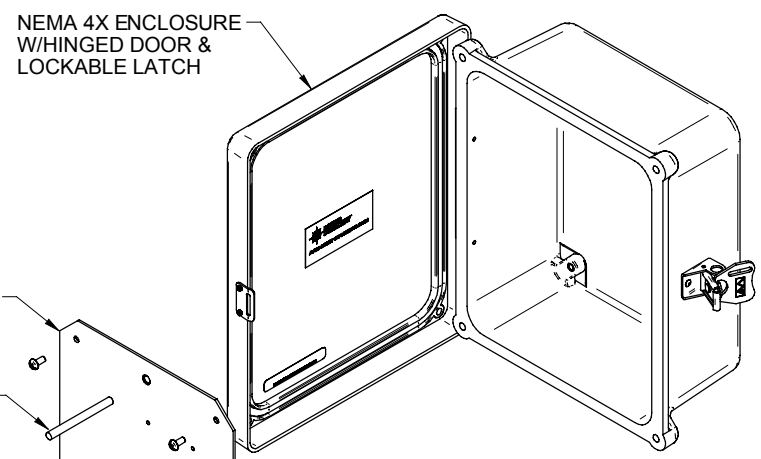
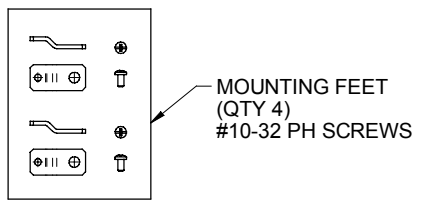
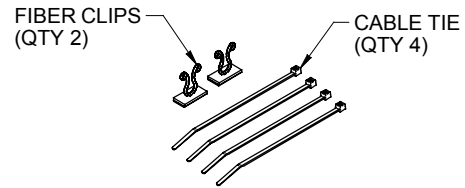


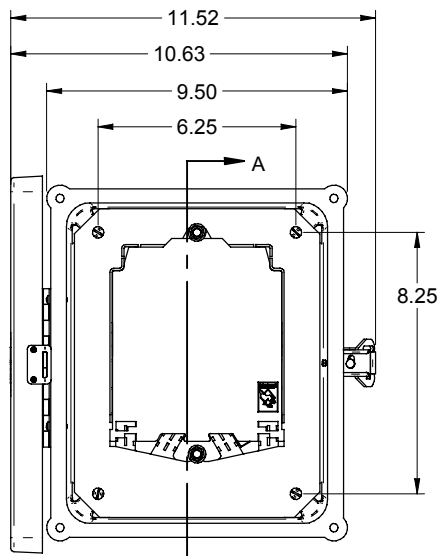
REV/SHT		REVISION HISTORY		DATE	ECN	CHECKED
A	ALL	RELEASE	NEW	3/18/10	NEW	JY



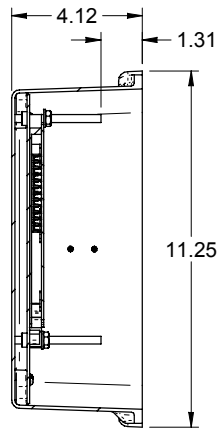
OPENED SIDE VIEW



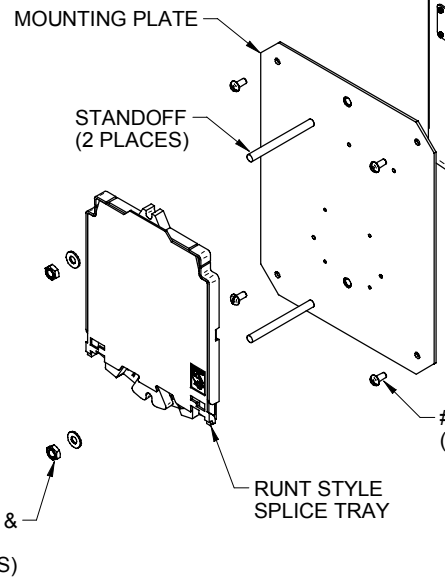
EXPLODED VIEW



OPENED FRONT VIEW



SECTION A-A



MTG NUT & WASHER (2 PLACES)

OCO12NXS	OUTDOOR ENCL, WM, 12P, FIBER, SPLICE TRAY, NEMA 4X
OCC PART NO.	DESCRIPTION
<small>UNLESS OTHERWISE SPECIFIED DIMENSIONS ARE IN INCHES. TOLERANCES: FRACTIONS ±1/32" ANGLES ±1/2° 3 PLACE DECIMALS ±.015" 2 PLACE DECIMALS ±.03"</small>	
<small>THIS DRAWING AND THE DESIGN SHOWN ARE THE PROPERTY OF OPTICAL CABLE CORPORATION AND MAY NOT BE USED AS THE BASIS FOR MANUFACTURE OR SALE WITHOUT SPECIFIC WRITTEN PERMISSION OF OPTICAL CABLE CORPORATION.</small>	
<small>DRAWN D.A.HOLBERT DATE 3/18/10</small>	
MATERIAL	CHECKED J.YANIK DATE 5/20/10
SEE BILL OF MATERIAL	ENGINEER S.SEO DATE 3/18/10
FINISH	APPROVED R.B.SMITH DATE 5/20/10
SEE NOTES	PREVIOUS DWG
NEXT DWG	FILENAME C110071A.dft
SCALE: NONE	SHEET 1 OF 1

DWG TITLE: OUTDOOR ENCL, WM, 12P, FIBER, SPLICE TRAY, NEMA 4X

SIZE: C DWG NO. **C110071** REV: A

**UNCONTROLLED COPY**

