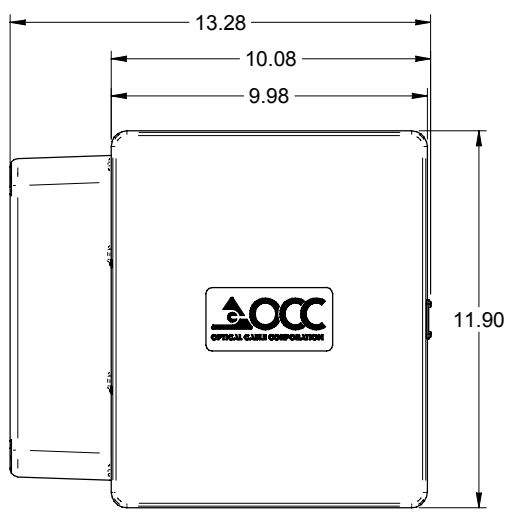
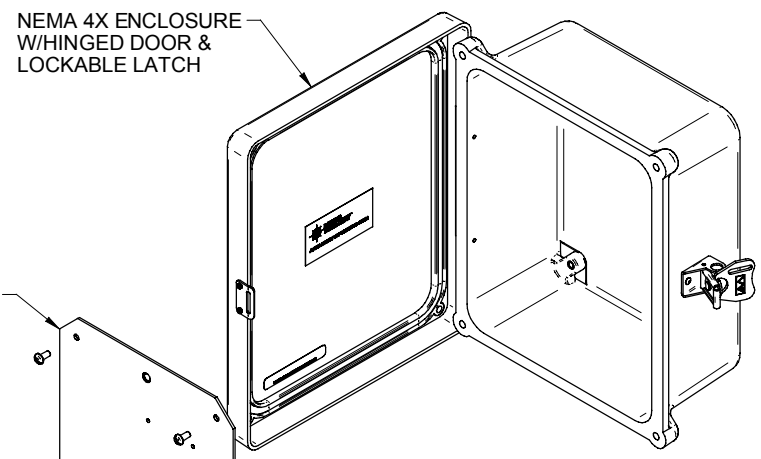
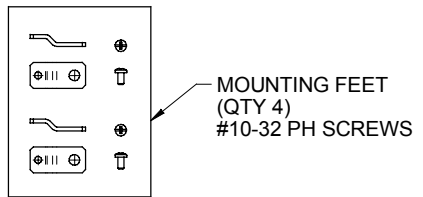
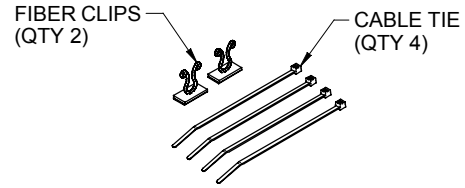


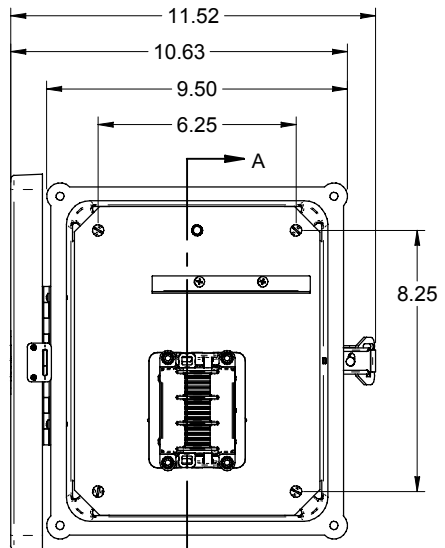
REVISION HISTORY				
REV/SHT	DESCRIPTION	DATE	EN	CHECKED
A	ALL RELEASE NEW	3/18/10	NEW	JY



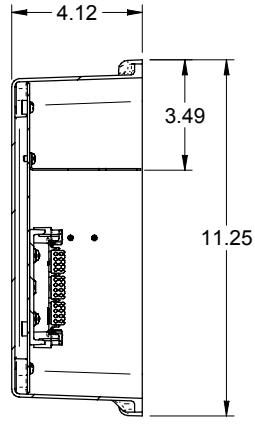
OPENED SIDE VIEW



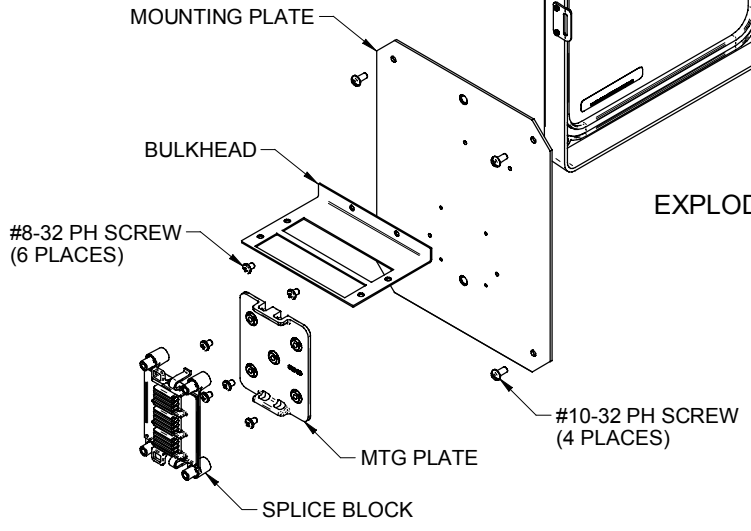
EXPLODED VIEW



OPENED FRONT VIEW



SECTION A-A



UNCONTROLLED COPY

OCO12NXSB	OUTDOOR ENCL, WM, 12P, FIBER, SPLICE BLOCK, NEMA 4X
OCC PART NO.	DESCRIPTION
<small>UNLESS OTHERWISE SPECIFIED DIMENSIONS ARE IN INCHES. TOLERANCES: FRACTIONS ±1/32" ANGLES ±1/2° 3 PLACE DECIMALS ±.015" 2 PLACE DECIMALS ±.03"</small>	
MATERIAL SEE BILL OF MATERIAL	<small>THIS DRAWING AND THE DESIGN SHOWN ARE THE PROPERTY OF OPTICAL CABLE CORPORATION AND MAY NOT BE USED AS THE BASIS FOR MANUFACTURE OR SALE WITHOUT SPECIFIC WRITTEN PERMISSION OF OPTICAL CABLE CORPORATION.</small> DRAWN D.A.HOLBERT DATE 3/18/10 CHECKED J.YANIK DATE 5/20/10 ENGINEER S.SEO DATE 3/18/10 APPROVED R.B.SMITH DATE 5/20/10 PREVIOUS DWG NEXT DWG
FINISH SEE NOTES	DWG TITLE OUTDOOR ENCL, WM, 12P, FIBER, SPLICE BLOCK, NEMA 4X SIZE C DWG NO. C110070 SCALE: NONE SHEET 1 OF 1
THIRD ANGLE PROJECTION CRITICAL DIMENSION CODE (F) = FUNCTION (M) = MATING (A) = AUDIT	33 Superior Way Swannanoa, NC 28778 Phone: 828-298-2260 Fax: 828-298-2487 www.ocfiber.com