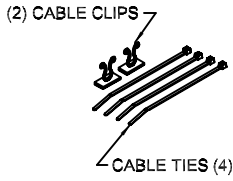
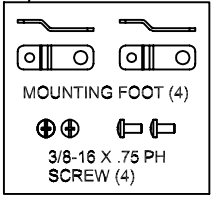
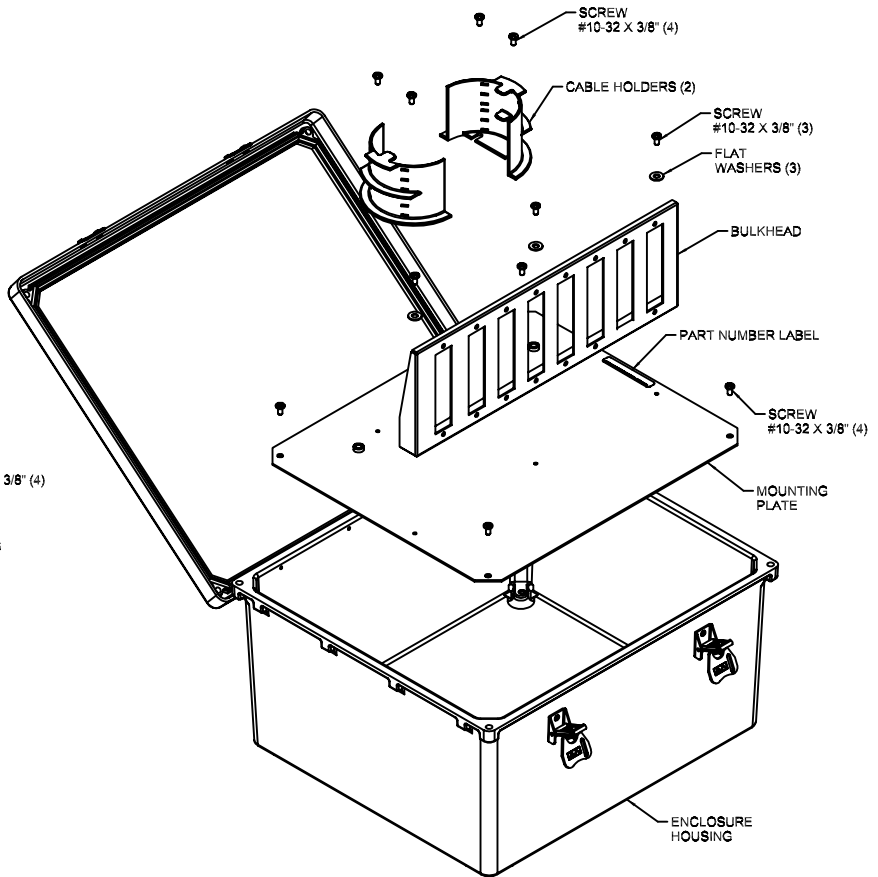
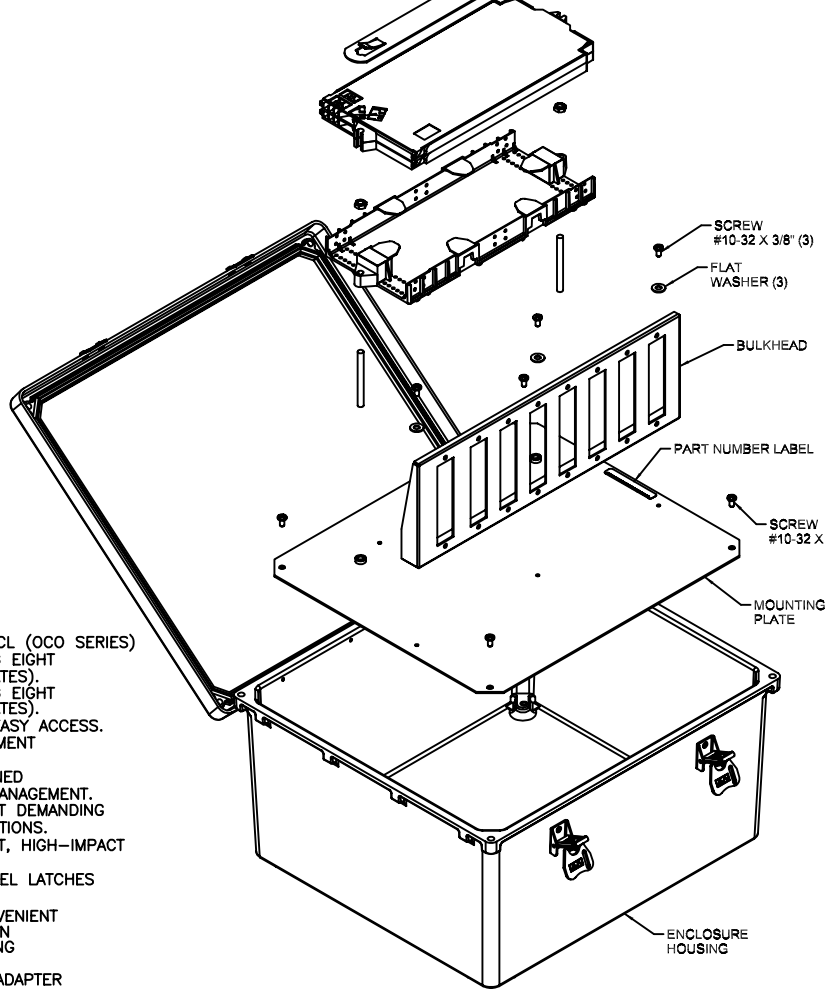


		REVISIONS			
REV	SHT	DESCRIPTION	DATE	ECN	CHECKED
A	ALL	RELEASE NEW	7/16/01	NEW	RBS
B	-	UPDATED: NOTES AND CALLOUTS	10/14/02	-	DAH
C	-	UPDATED: ASSY OCC48NXS WAS "OCC48SN" TO MATCH CATALOG	2/25/04	-	DAH
D	-	UPDATED: ASSY OCC48NXS & "OCC48SNX" TO MATCH CATALOG	9/17/10	-	JH
E	-	UPDATED: DRAWING VIEWS	9/27/10	-	JH
F	-	UPDATED: OCC LOGO AND NOTES	11/12/10	-	RBS

MOUNTING FEET KIT
(INCLUDED WITH ENCLOSURE)



SPlicing TRAY KIT
OCC48S (SHOWN)



SPECIFICATIONS
FEATURES/MATERIALS:

- OUTDOOR CROSS-CONNECT ENCL (OCO SERIES) FOR 48 PORT CAPACITY (USING EIGHT 6 PORT SNAP-IN ADAPTER PLATES), FOR 64 PORT CAPACITY (USING EIGHT 8 PORT SNAP-IN ADAPTER PLATES).
- REMOVABLE COVER PROVIDES EASY ACCESS.
- THE INNOVATIVE FIBER MANAGEMENT SYSTEM USES A 2-TIER FIBER RADIUS HOOP WHICH IS DESIGNED TO MAINTAIN ORDERLY FIBER MANAGEMENT.
- NEMA 4X RATED FOR THE MOST DEMANDING OUTDOOR AND INDOOR APPLICATIONS.
- RUGGED, CHEMICALLY RESISTANT, HIGH-IMPACT MOLDED PLASTIC ENCLOSURE.
- QUICK-RELEASE STAINLESS STEEL LATCHES ARE PAD LOCKABLE.
- ADAPTER PLATES PROVIDE CONVENIENT JACK-TO-JACK SPLICES AND AN EFFECTIVE METHOD OF GROUPING FIBER OPTIC CONNECTIONS.
- ST, SC, FC, AND MTRJ STYLE ADAPTER PLATES ARE AVAILABLE. ADAPTER PLATES ORDERED SEPARATELY.

OPTIONAL:

- SNAP-IN ADAPTER PLATES ORDERED SEPARATELY.
- WILL ACCOMMODATE SPLICE TRAYS.
- THE SPLICE KITS INCLUDE AN INTEGRAL TRANSITION TRAY FOR FIBER MANAGEMENT AND FACILITATES CORRECT FIBER BEND RADIUS CAPABILITIES. NOTE: TO USE THESE SPLICE KITS THE 2-TIER RADIUS HOOPS ARE REMOVED.
- PRE-TERMINATED AND PRE-TESTED CONFIGURATIONS.
- OPTIONAL: LIQUID TIGHT ENTRY/EXIT FITTINGS IN VARIOUS SIZES, AVAILABLE UPON REQUEST.

INCLUDED:

- MOUNTING HARDWARE.
- CABLE TIES AND CABLE MOUNTS.

**OCC48NXS CABINET ASSEMBLY
(STANDARD) SPLICE TRAYS**

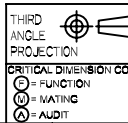
**OCC48NX CABINET ASSEMBLY
(STANDARD) CABLE HOOPS**

UNCONTROLLED COPY

OCC48NXS	ASSY, OUTDOOR, 48 PORT CROSSCONNECT, SPLICE, NEMA4X
OCC48NX	ASSY, OUTDOOR, 48 PORT CROSSCONNECT, NEMA4X
OCC PART NO.	DESCRIPTION

UNLESS OTHERWISE SPECIFIED DIMENSIONS ARE IN INCHES TOLERANCES: FRACTIONS ±.132 ANGLES ±12° 3 PLACE DECIMALS ±.005" 2 PLACE DECIMALS ±.01"		THIS DRAWING AND THE DESIGN SHOWN ARE THE PROPERTY OF OPTICAL CABLE CORPORATION AND MAY NOT BE USED AS THE BASIS FOR MANUFACTURE OR SALE WITHOUT SPECIFIC WRITTEN PERMISSION OF OPTICAL CABLE CORPORATION.	
DRAWN	D.A. HOLBERT	DATE	10/29/04
CHECKED	J. YANIK	DATE	1/27/05
ENGINEER	B. LANGFORD	DATE	10/29/04
APPROVED	R.B. SMITH	DATE	11/12/10
PREVIOUS DWG			
NEXT DWG		FILENAME	C103949F.dwg
MATERIAL	SEE BILL OF MATERIAL		
FINISH	SEE NOTES		

OCC OPTICAL CABLE CORPORATION		33 Superior Way Swannanoa, NC 28778 Phone: 828-298-2280 Fax: 828-298-2487 www.occfiber.com	
DWC TITLE OUTDOOR ENCL. NEMA 4X, CUSTOMER DRAWING (STANDARD)			
SIZE	C	DWG NO.	C103949
REV	F	SHEET	1 OF 1
SCALE	NONE		



CRITICAL DIMENSION CODE	FINISH
⊕ = FUNCTION	SEE NOTES
⊖ = MATING	
⊗ = AUDIT	