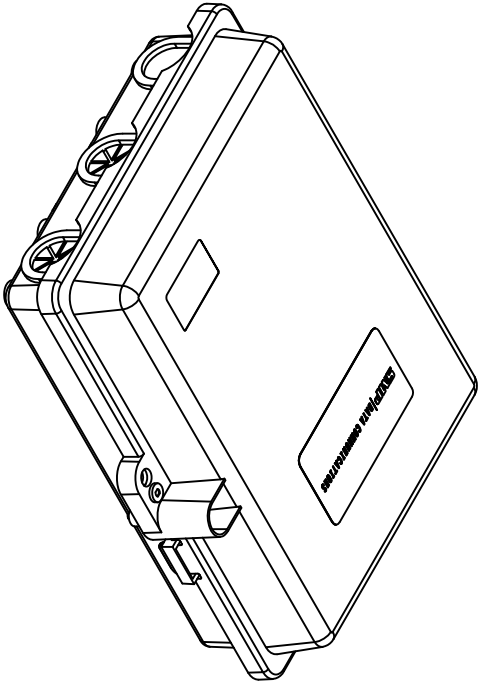
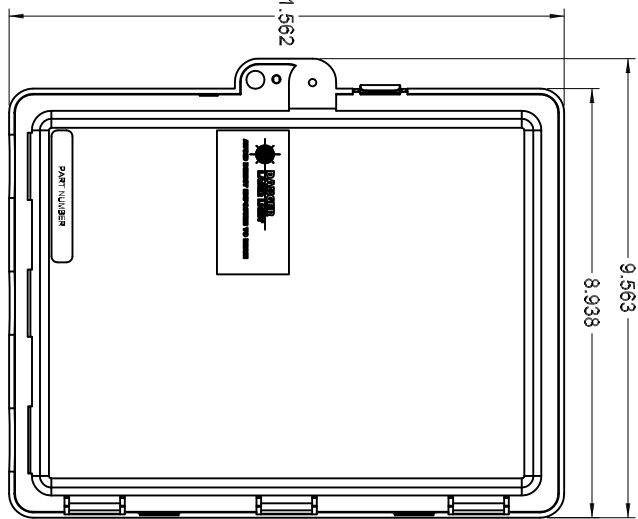
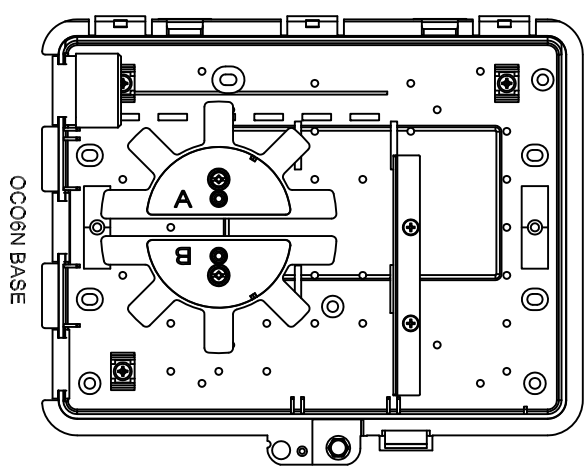
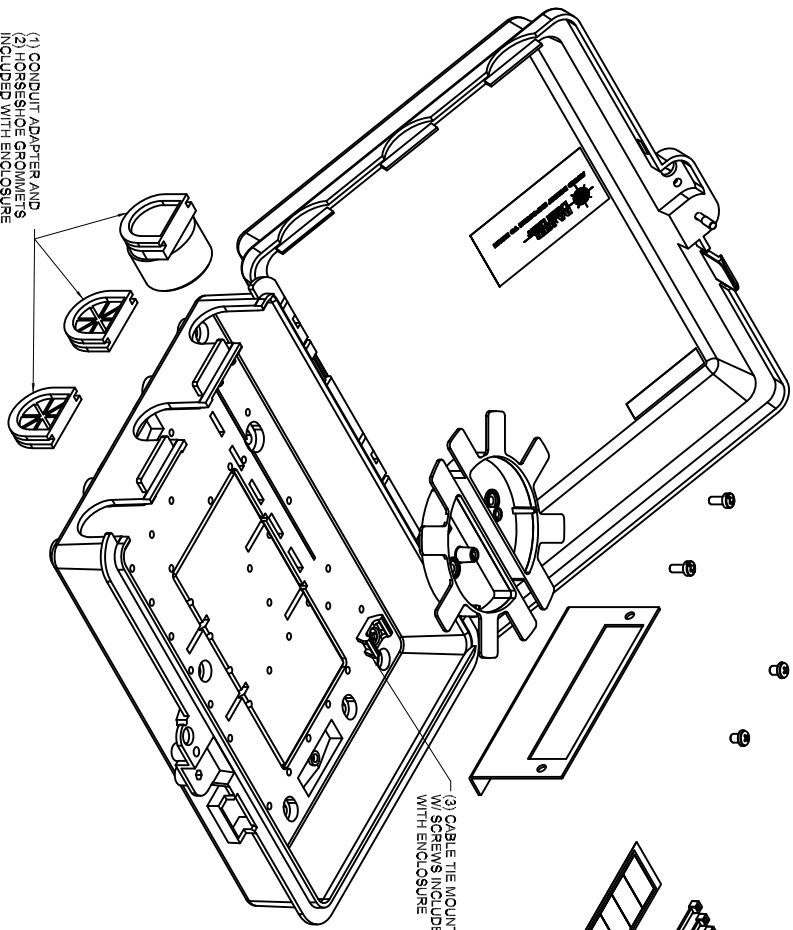
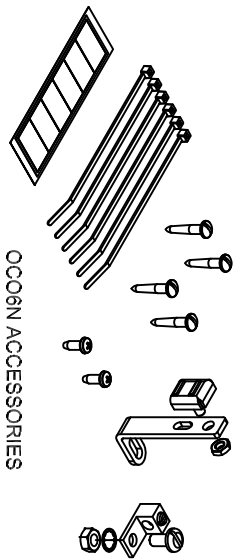


REV	DATE	DESCRIPTION	BY	CHKD
1	10/20/08	ADDED OVERALL OUTER DIMENSIONS, UPDATED /OC, INT	NEW	295
A	12/9/08	RELEASE NEW	NEW	295
REV	DATE	DESCRIPTION <td>BY</td> <td>CHKD</td>	BY	CHKD



OCO6N	ENCLOSURE ASSY, WALL MOUNT, FIBER, OCO6N
UNCONTROLLED COPY	
UNLESS OTHERWISE SPECIFIED DIMENSIONS ARE IN INCHES. DIMENSIONS ARE TO CENTER UNLESS OTHERWISE NOTED. DIMENSIONS ARE TO CENTER UNLESS OTHERWISE NOTED. DIMENSIONS ARE TO CENTER UNLESS OTHERWISE NOTED.	
3 PLACE DECIMALS = .003	
MAX. TOLERANCE = .01	
SEE BILL OF MATERIAL	
THIRD ANGLE PROJECTION	
CRITICAL DIMENSION CODE	
(A) - FINISH	
(B) - FUNCTION	
(C) - MATING	
(A) - AUDIT	
FILENAME: C108040B.DWT	SHEET: 1 OF 1
DATE: 10/20/08	SCALE: NONE
DATE: 12/9/08	SIZE: C
DATE: 12/9/08	DWG NO: C108040
DATE: 12/9/08	REV: B
DATE: 10/20/08	REV: B

