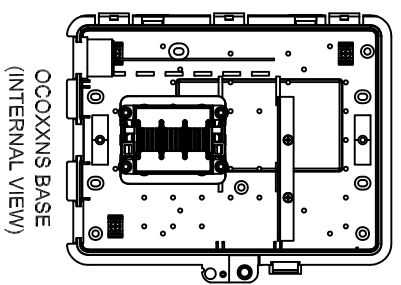
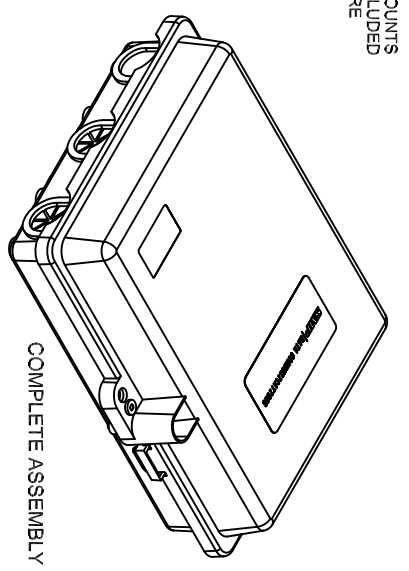
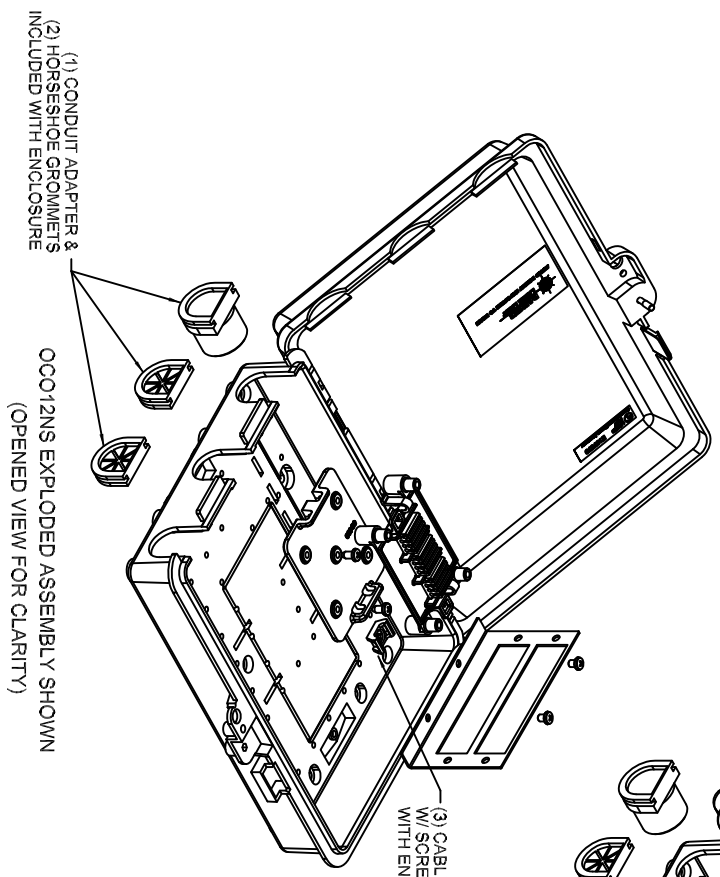
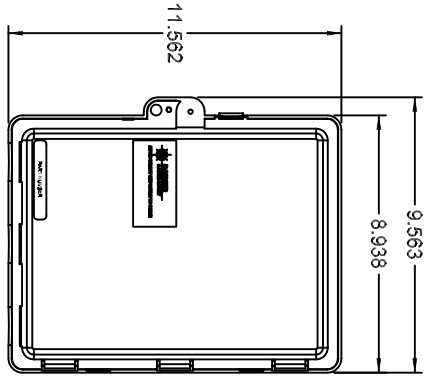
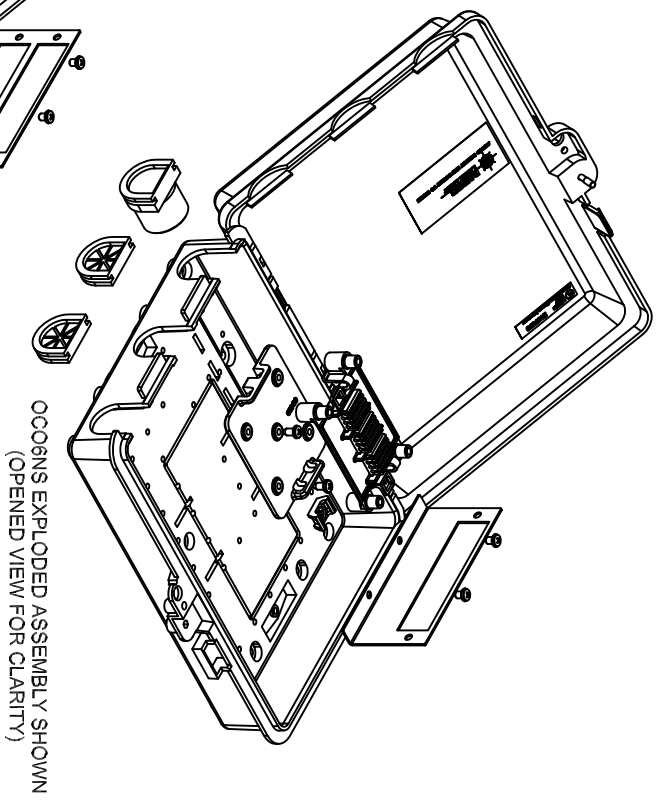
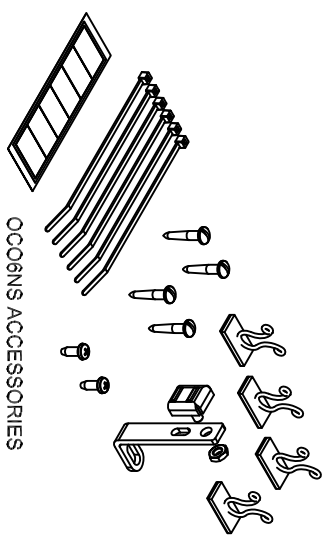


REVISED	DESCRIPTION	DATE	BY	CHECKED
1	RELEASE NEW	8/28/08	NEW	JAV



(3) CABLE TIE MOUNTS
W/ SCREWS INCLUDED
WITH ENCLOSURE

OCO6NS	ASSY, ENCLOSURE, WALL MT, FIBER, OCO6NS
OCO12NS	ASSY, ENCLOSURE, WALL MT, FIBER, OCO12NS

OPTICAL P/N	DESCRIPTION
UNLESS OTHERWISE SPECIFIED	THIS DRAWING AND THE DESIGN SHALL BE THE PROPERTY OF OPTICAL COMMUNICATIONS CORPORATION. NO PARTS SHALL BE REPRODUCED OR MANUFACTURED OR SOLD WITHOUT SPECIFIC WRITTEN PERMISSION OF OPTICAL COMMUNICATIONS CORPORATION.
DRAWN: J.YANK	DATE: 6/28/08
CHECKED: J.MALTAIS	DATE: 7/10/08
APPROVED: R.B SMITH	DATE: 6/28/08
PREVIOUS DWG	DATE: 7/1/08

THIRD ANGLE PROJECTION	SEE BILL OF MATERIAL
OPTICAL DIMENSION CODE	SEE BILL OF MATERIAL
FUNCTION	
MATING	
AUDIT	



UNCONTROLLED COPY

