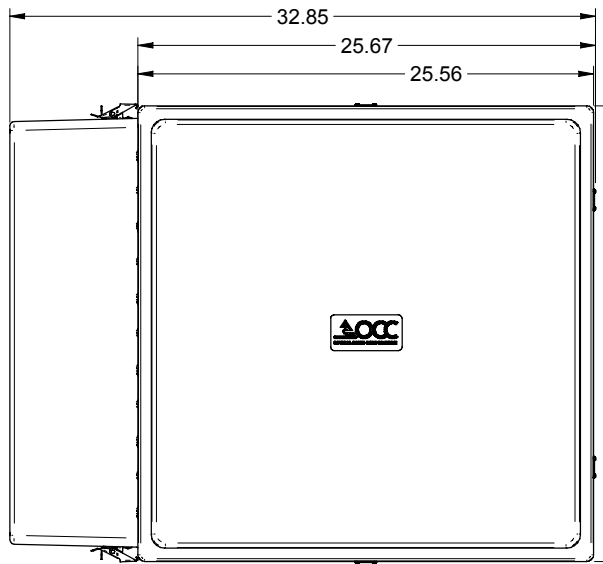
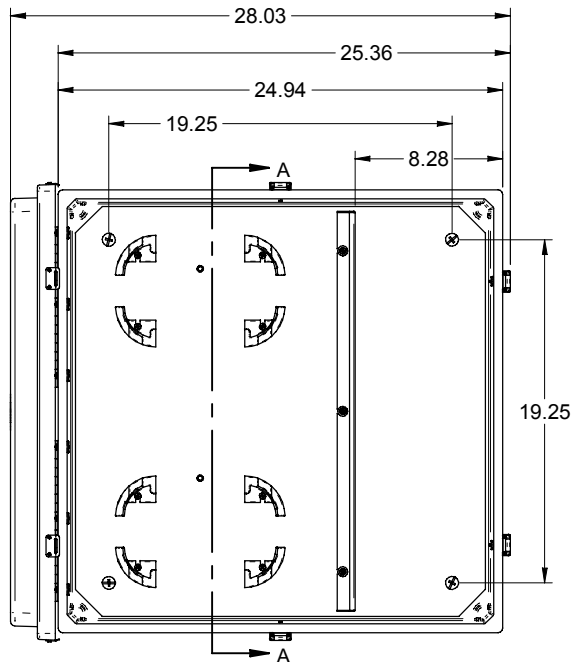


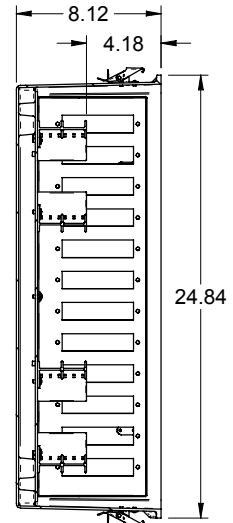
REVISION HISTORY				
REV/SHT	DESCRIPTION	DATE	ECN	CHECKED
A	ALL RELEASE NEW	3/18/10	NEW	JY



OPENED SIDE VIEW



OPENED FRONT VIEW

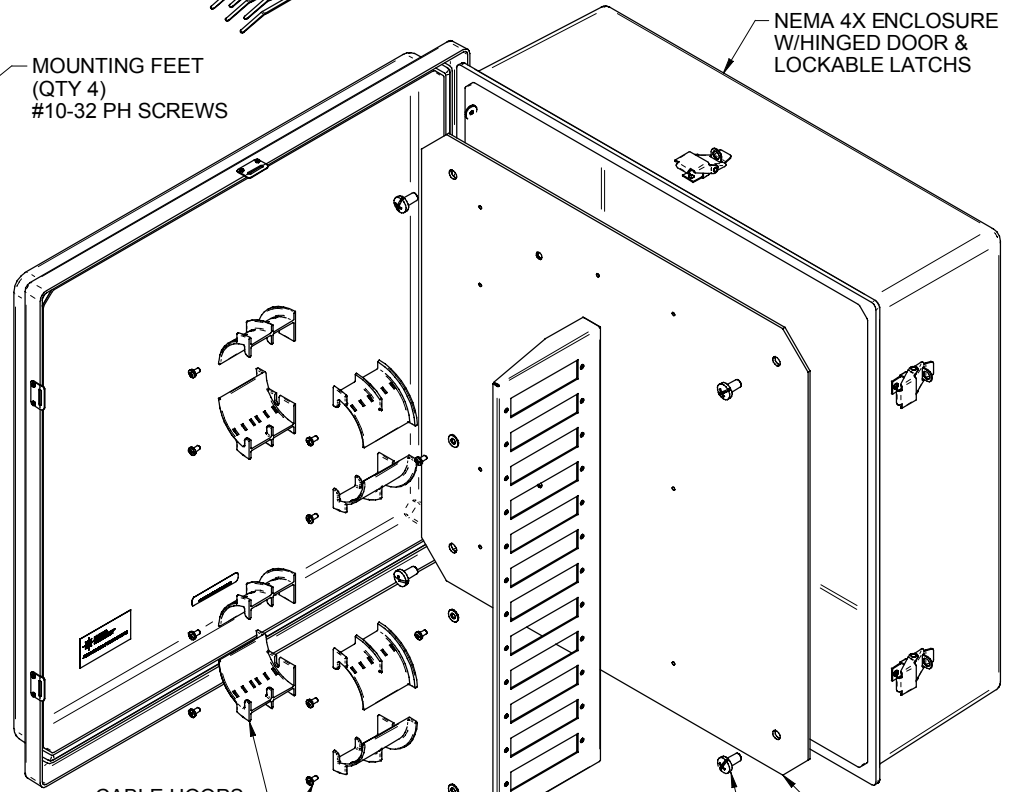


SECTION A-A


UNCONTROLLED COPY

- FIBER CLIPS (QTY 4)
- CABLE TIE (QTY 8)

- MOUNTING FEET (QTY 4)
- #10-32 PH SCREWS



EXPLODED VIEW

OCO72NX	OUTDOOR ENCL, WALL MOUNT, 72 PORT, FIBER, NEMA 4X			
OCC PART NO.	DESCRIPTION			
<small>UNLESS OTHERWISE SPECIFIED DIMENSIONS ARE IN INCHES. TOLERANCES: FRACTIONS ±1/32" ANGLES ±1/2" 3 PLACE DECIMALS ±.015" 2 PLACE DECIMALS ±.03"</small>				
MATERIAL	SEE BILL OF MATERIAL	<small>THIS DRAWING AND THE DESIGN SHOWN ARE THE PROPERTY OF OPTICAL CABLE CORPORATION AND MAY NOT BE USED AS THE BASIS FOR MANUFACTURE OR SALE WITHOUT SPECIFIC WRITTEN PERMISSION OF OPTICAL CABLE CORPORATION.</small>		<small>33 Superior Way Swannanoa, NC 28778 Phone: 828-298-2260 Fax: 828-298-2487 www.occfiber.com</small>
APPROVED	R.B. SMITH	DATE	5/20/10	DWG TITLE
PREVIOUS DWG		DATE	3/18/10	OUTDOOR ENCL, WM, 72 PORT, FIBER, NEMA 4X
NEXT DWG		DATE	3/18/10	SIZE
		FILENAME	C110072A.dft	C
		SCALE	NONE	DWG NO.
		SHEET	1 OF 1	C110072
				REV
				A

