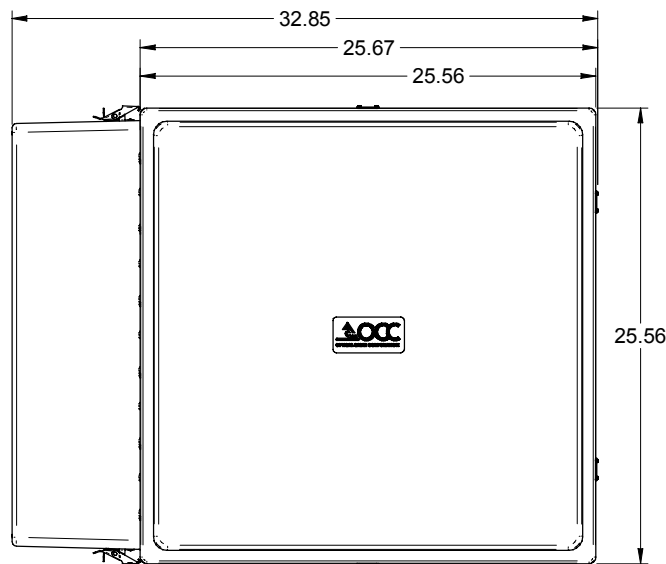
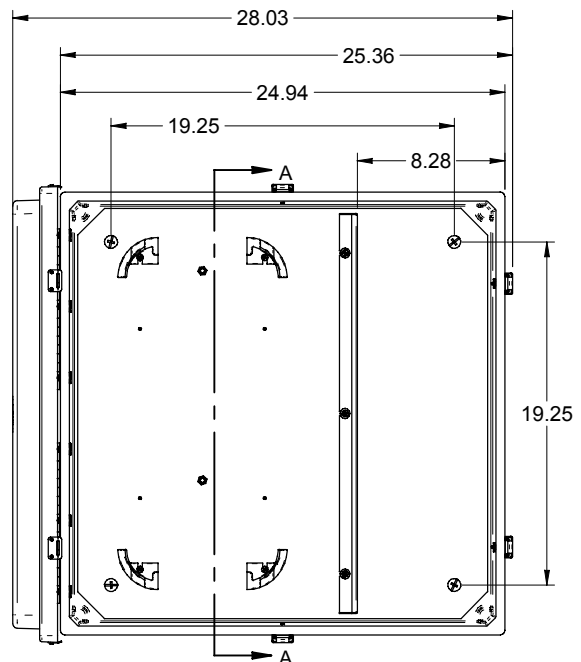


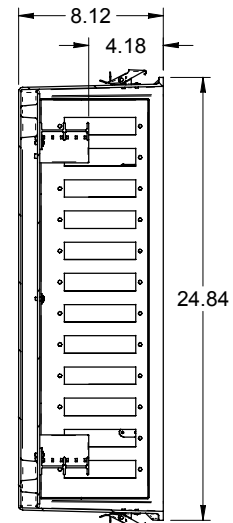
REVISION HISTORY					
REV	SHT	DESCRIPTION	DATE	ECD	CHECKED
A	ALL	RELEASE NEW	3/18/10	NEW	JY



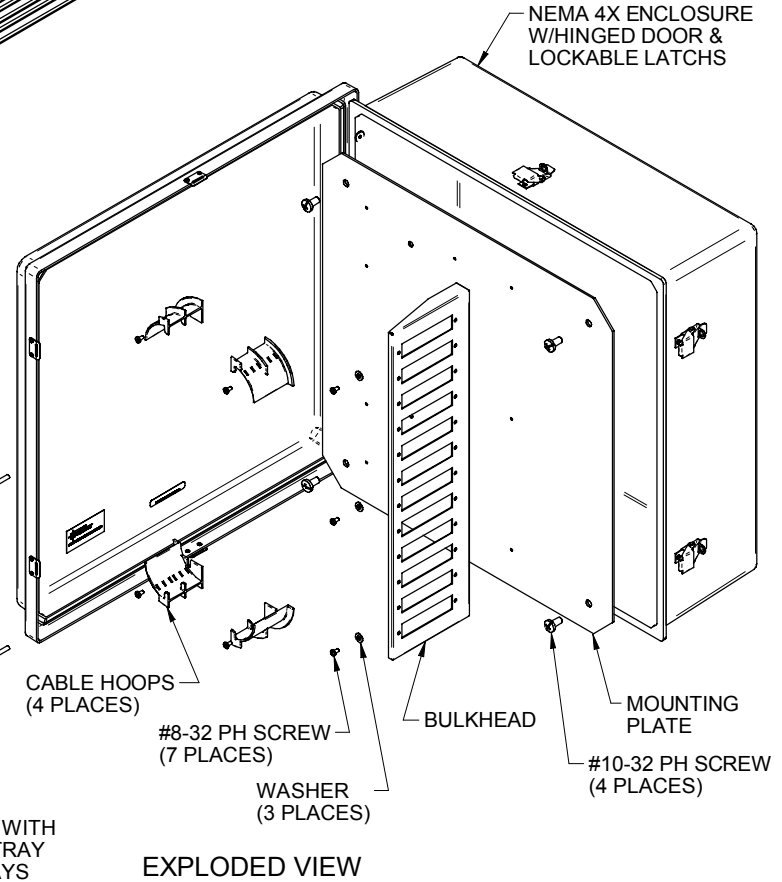
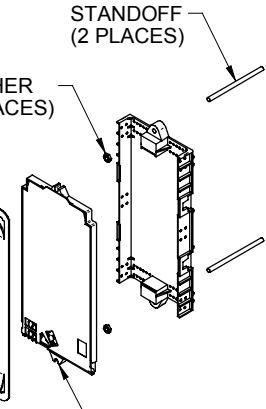
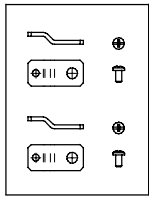
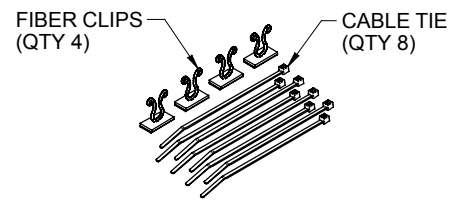
OPENED SIDE VIEW



OPENED FRONT VIEW



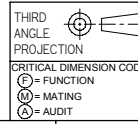
SECTION A-A



EXPLODED VIEW

UNCONTROLLED COPY

OCO72NXS	OUTDOOR ENCL, WM, 72P, FIBER, SPLICE TRAY, NEMA 4X		
OCC PART NO.	DESCRIPTION		
<small>UNLESS OTHERWISE SPECIFIED DIMENSIONS ARE IN INCHES. TOLERANCES: FRACTIONS ±1/32" ANGLES ±1/2° 3 PLACE DECIMALS ±.015" 2 PLACE DECIMALS ±.03"</small>		<small>THIS DRAWING AND THE DESIGN SHOWN ARE THE PROPERTY OF OPTICAL CABLE CORPORATION AND MAY NOT BE USED AS THE BASIS FOR MANUFACTURE OR SALE WITHOUT SPECIFIC WRITTEN PERMISSION OF OPTICAL CABLE CORPORATION. DRAWN D.A.HOLBERT DATE 3/18/10</small>	
MATERIAL SEE BILL OF MATERIAL	CHECKED J.YANIK DATE 5/20/10 ENGINEER S.SEO DATE 3/18/10		
FINISH SEE NOTES	APPROVED R.B.SMITH DATE 5/20/10 PREVIOUS DWG	<small>33 Superior Way Swannanoa, NC 28778 Phone: 828-298-2280 Fax: 828-298-2487 www.occfiber.com</small>	
NEXT DWG	FILENAME C110073A.dft	SCALE: NONE	SHEET 1 OF 1



DWG TITLE		OUTDOOR ENCL, WM, 72P, FIBER, SPLICE TRAY, NEMA 4X	
SIZE	C	DWG NO.	C110073
REV	A		