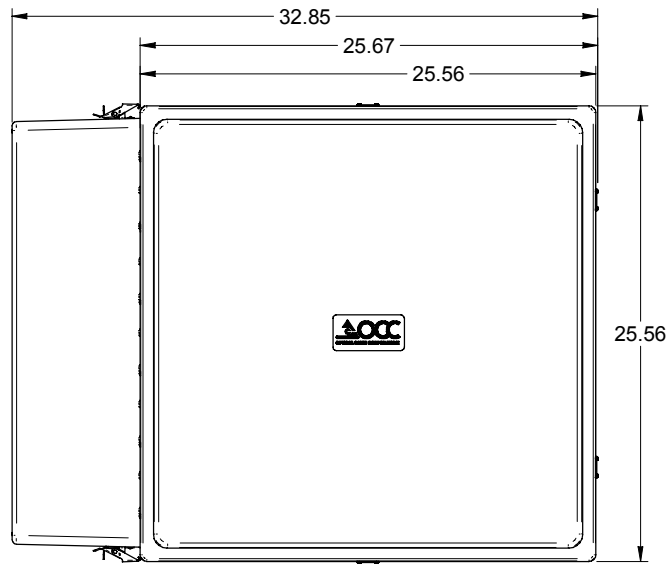
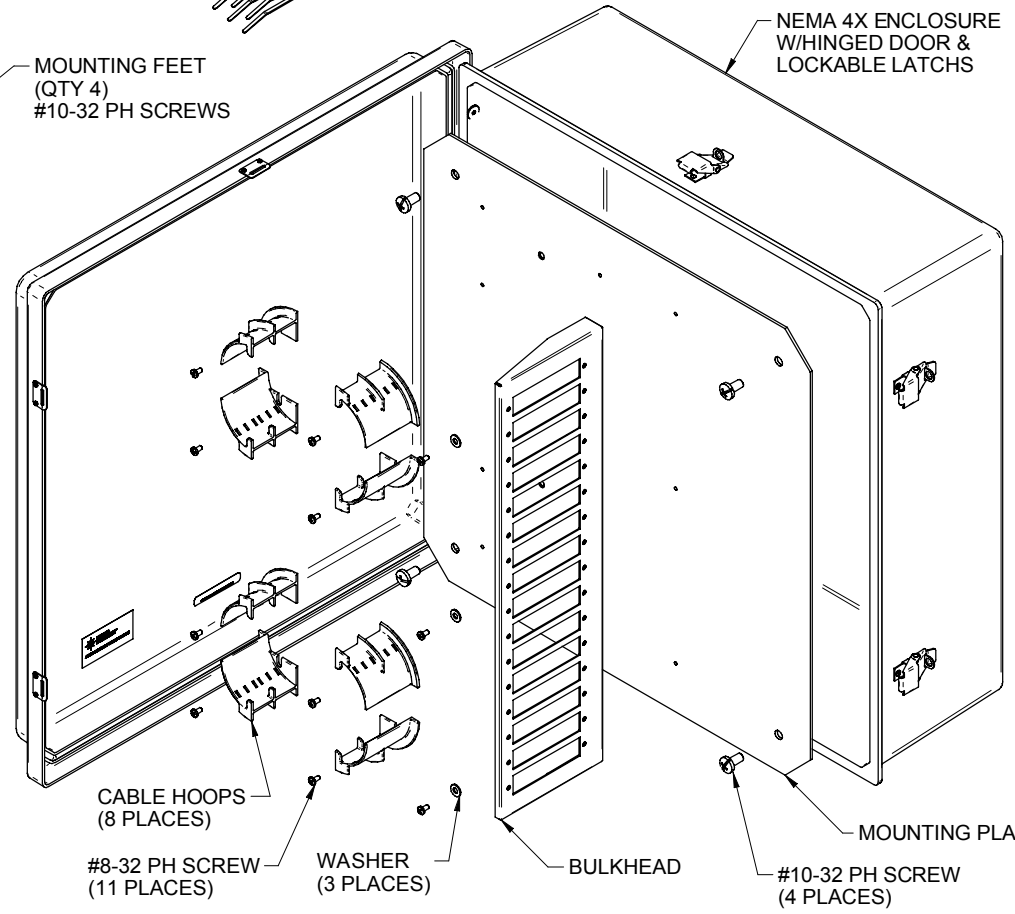
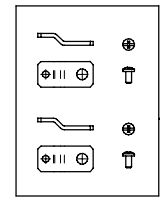
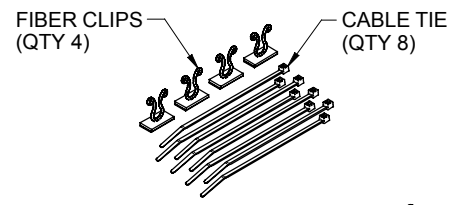


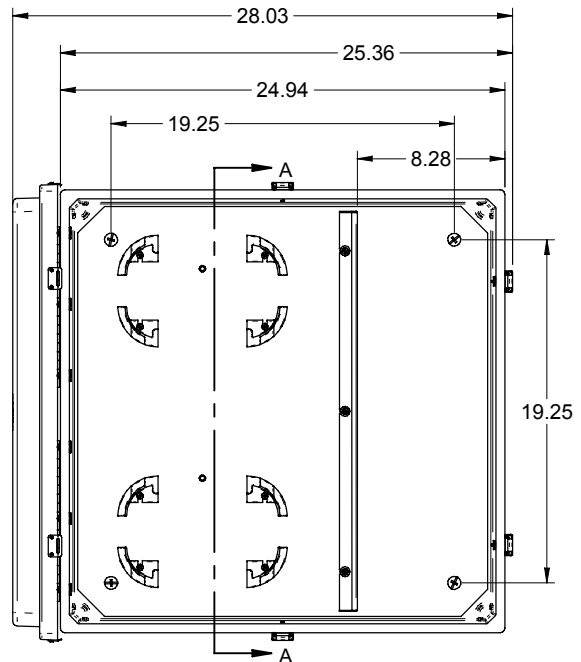
REVISION HISTORY				
REV/SHT	DESCRIPTION	DATE	EN	CHECKED
A	ALL RELEASE NEW	3/18/10	NEW	JY



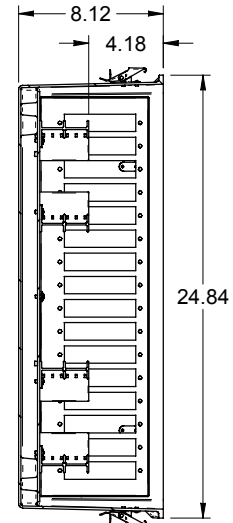
OPENED SIDE VIEW



EXPLODED VIEW



OPENED FRONT VIEW



SECTION A-A

UNCONTROLLED COPY

OCO96NX	OUTDOOR ENCL, WALL MOUNT, 96 PORT, FIBER, NEMA 4X
OCC PART NO.	DESCRIPTION
<small>UNLESS OTHERWISE SPECIFIED DIMENSIONS ARE IN INCHES. TOLERANCES: FRACTIONS ±1/32" ANGLES ±1/2° 3 PLACE DECIMALS ±.015" 2 PLACE DECIMALS ±.03"</small>	
MATERIAL SEE BILL OF MATERIAL	DRAWN D.A.HOLBERT DATE 3/18/10 CHECKED J.YANIK DATE 5/20/10 ENGINEER S.SEO DATE 3/18/10 APPROVED R.B.SMITH DATE 5/20/10 PREVIOUS DWG NEXT DWG
FINISH SEE NOTES	DWG TITLE OUTDOOR ENCL, WM, 96 PORT, FIBER, NEMA 4X SIZE C DWG NO. C110084 REV A FILENAME C110084A.dft SCALE: NONE SHEET 1 OF 1

