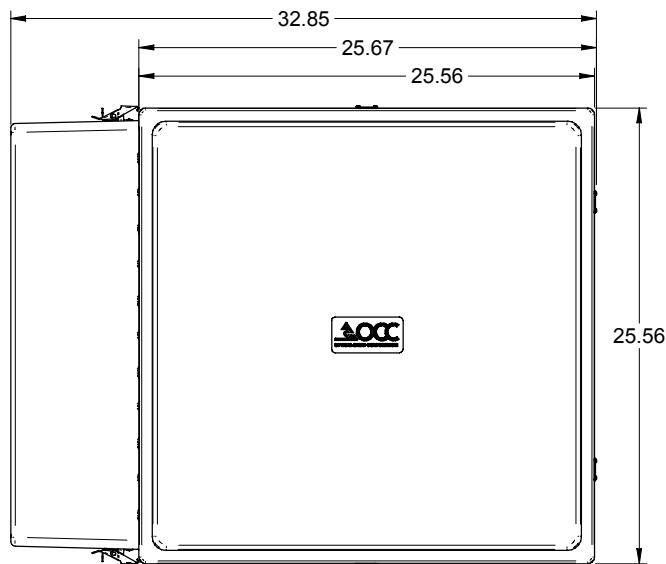
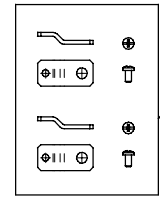
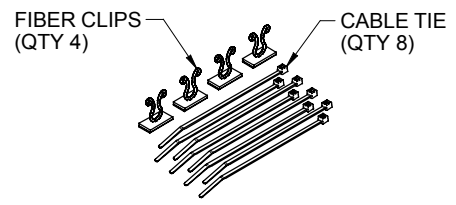


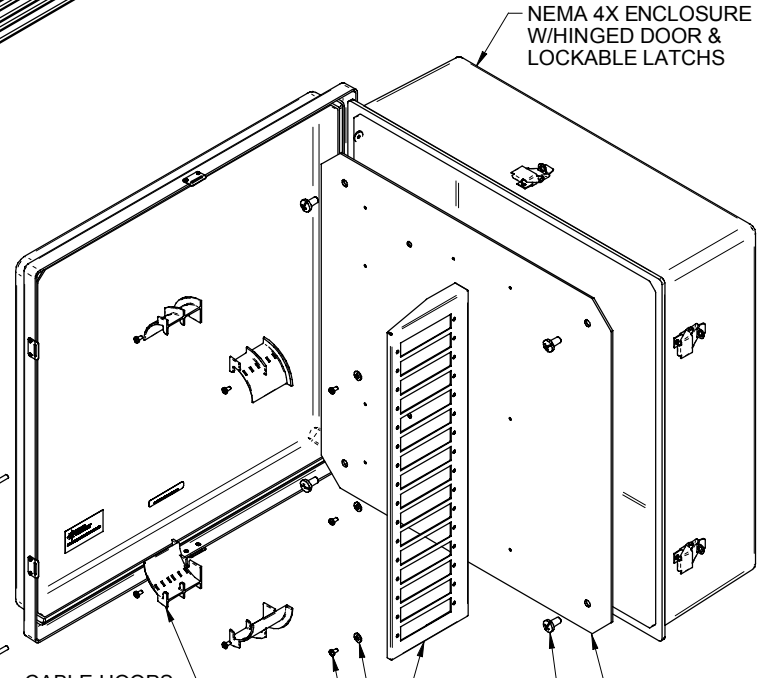
REVISION HISTORY				
REV	SMT	DESCRIPTION	DATE	CHECKED
A	ALL	RELEASE NEW	3/18/10	NEW JY



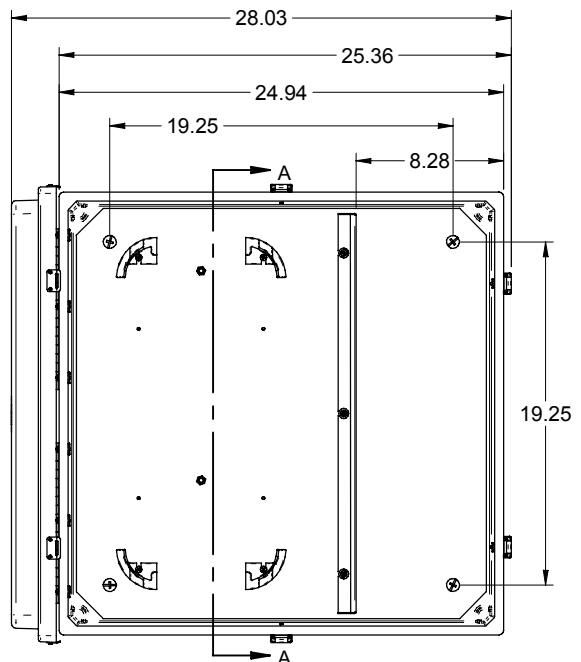
OPENED SIDE VIEW



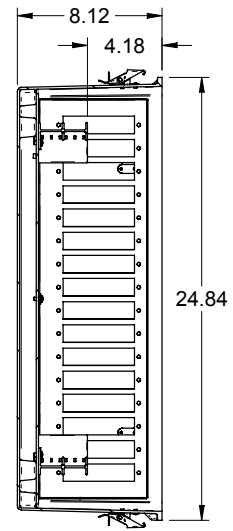
MOUNTING FEET (QTY 4)
#10-32 PH SCREWS



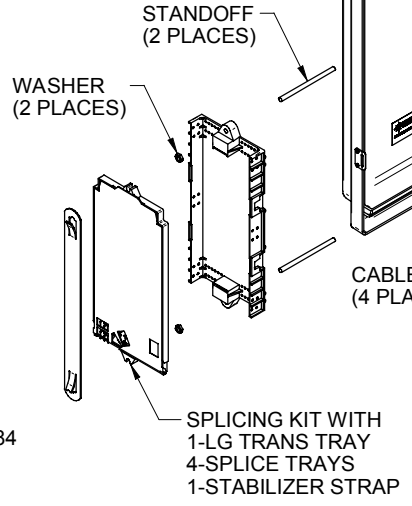
EXPLODED VIEW



OPENED FRONT VIEW



SECTION A-A



UNCONTROLLED COPY

OCO96NXS	OUTDOOR ENCL, WM, 96P, FIBER, SPLICE TRAY, NEMA 4X
OCC PART NO.	DESCRIPTION
<small>UNLESS OTHERWISE SPECIFIED DIMENSIONS ARE IN INCHES. TOLERANCES: FRACTIONS ±1/32" ANGLES ±1/2" 3 PLACE DECIMALS ±.015" 2 PLACE DECIMALS ±.03"</small>	
<small>THIS DRAWING AND THE DESIGN SHOWN ARE THE PROPERTY OF OPTICAL CABLE CORPORATION AND MAY NOT BE USED AS THE BASIS FOR MANUFACTURE OR SALE WITHOUT SPECIFIC WRITTEN PERMISSION OF OPTICAL CABLE CORPORATION.</small>	
<small>DRAWN D.A.HOLBERT DATE 3/18/10</small>	
MATERIAL	SEE BILL OF MATERIAL
CHECKED	J.YANIK DATE 5/20/10
ENGINEER	S.SEO DATE 3/18/10
APPROVED	R.B.SMITH DATE 5/20/10
PREVIOUS DWG	
NEXT DWG	
FINISH	SEE NOTES
<small>CRITICAL DIMENSION CODE (P)= FUNCTION (M)= MATING (A)= AUDIT</small>	
THIRD ANGLE PROJECTION	
FILENAME	C110085A.dft
SCALE	NONE
SHEET	1 OF 1

OCC
OPTICAL CABLE CORPORATION

33 Superior Way
Swannanoa, NC 28778
Phone: 828-298-2260
Fax: 828-298-2487
www.occfiber.com

DWG TITLE: **OUTDOOR ENCL, WM, 96P, FIBER, SPLICE TRAY, NEMA 4X**

SIZE: **C** DWG NO.: **C110085** REV: **A**