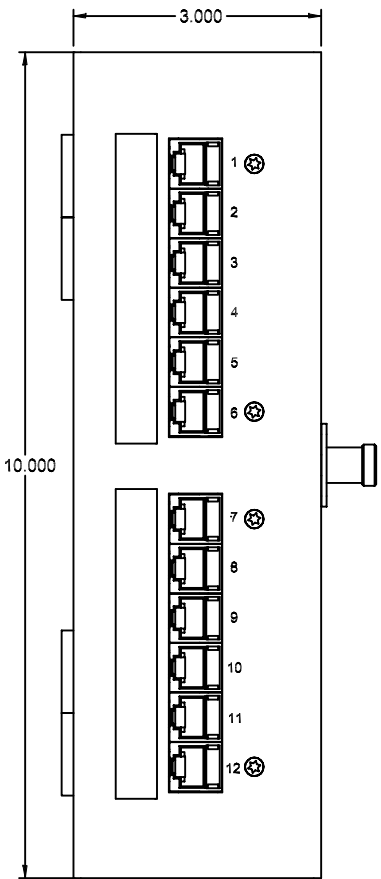
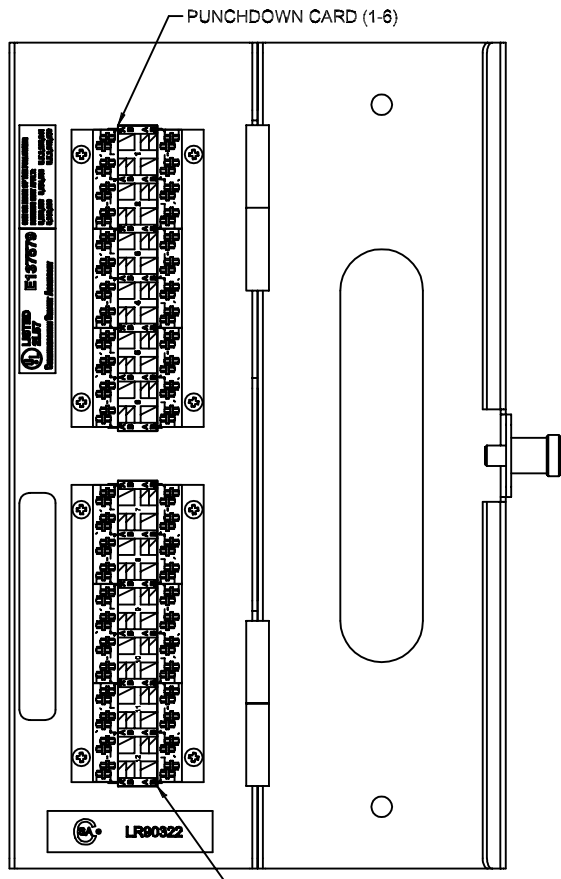


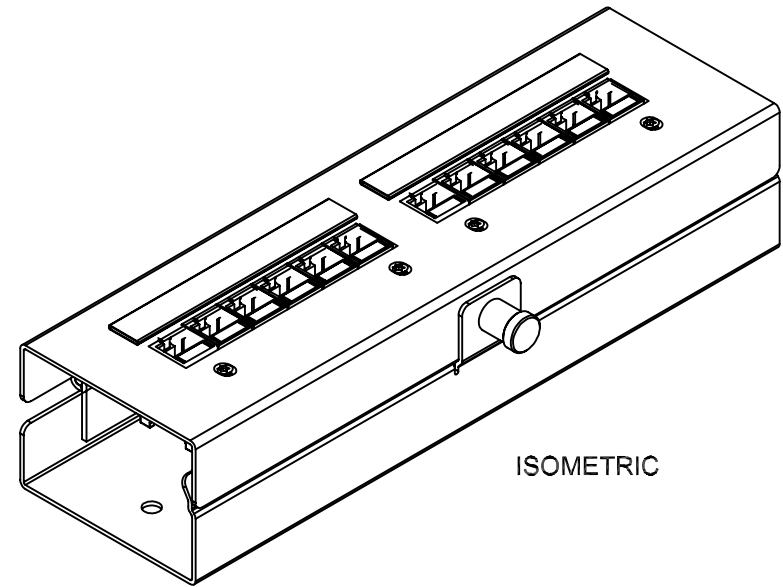
REV		SHT		REVISIONS		DATE	ECN	CHECKED
A	ALL	RELEASE	NEW			4/20/04	NEW	RBS



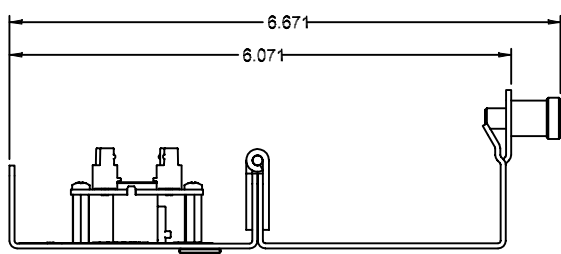
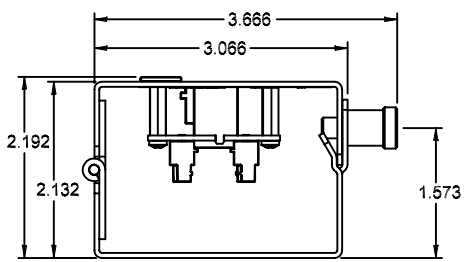
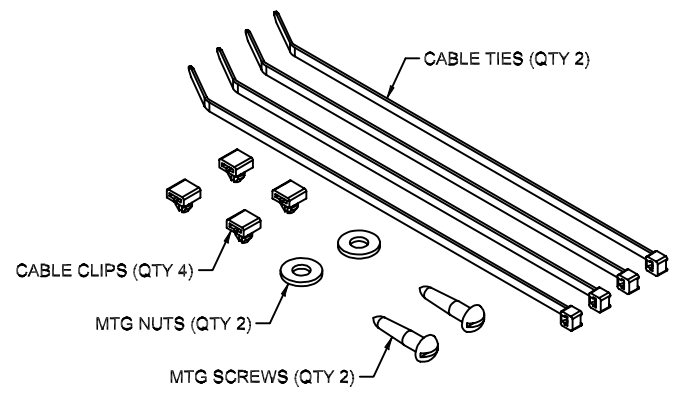
LID SHOWN CLOSED



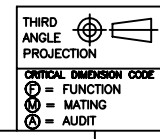
LID SHOWN OPEN



ISOMETRIC



PP1288/110A6	PATCH PANEL, 12 PORT, WALLMOUNT, CAT6, 110, A/B	
OCC PART NO.	DESCRIPTION	
UNCONTROLLED COPY		
<small>UNLESS OTHERWISE SPECIFIED DIMENSIONS ARE IN INCHES</small> <small>TOLERANCES:</small> <small>FRACTIONS ±1/32"</small> <small>ANGLES ±1/2°</small> <small>3 PLACE DECIMALS ±.005"</small> <small>2 PLACE DECIMALS ±.01"</small>	<small>THIS DRAWING AND THE DESIGN SHOWN ARE THE PROPERTY OF OPTICAL CABLE CORPORATION AND MAY NOT BE USED AS THE BASIS FOR MANUFACTURE OR SALE WITHOUT SPECIFIC WRITTEN PERMISSION OF OPTICAL CABLE CORPORATION.</small>	
	<small>DRAWN BY</small> D.A.HOLBERT <small>DATE</small> 4/20/04	<small>DWG TITLE</small> PATCH PANEL ASSY, 12 PORT, WALLMOUNT, CAT6, 110, A/B
<small>CHECKED BY</small> R.B.SMITH <small>DATE</small> 6/28/04	<small>ENGINEER</small> J.YANIK <small>DATE</small> 4/20/04	<small>SIZE</small> C <small>DWG NO.</small> C106738 <small>REV</small> A
<small>APPROVED</small> D.INGLE <small>DATE</small> 6/28/04	<small>PREVIOUS DWG</small> <small>NEXT DWG</small>	<small>SCALE</small> NONE <small>SHEET</small> 1 OF 1
<small>FILENAME</small> C106738A.DWG		<small>FILE NO.</small> C106738



MATERIAL
SEE BILL OF MATERIAL

FINISH
SEE NOTES

CRITICAL DIMENSION CODE
 (F) = FUNCTION
 (M) = MATING
 (A) = AUDIT