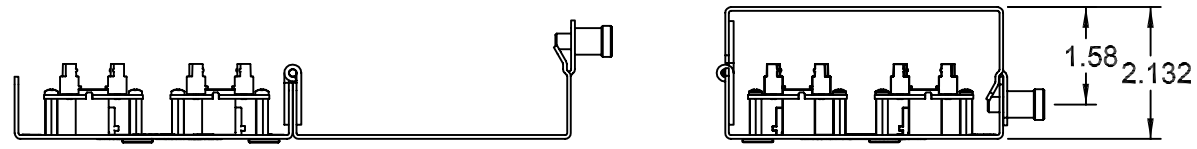
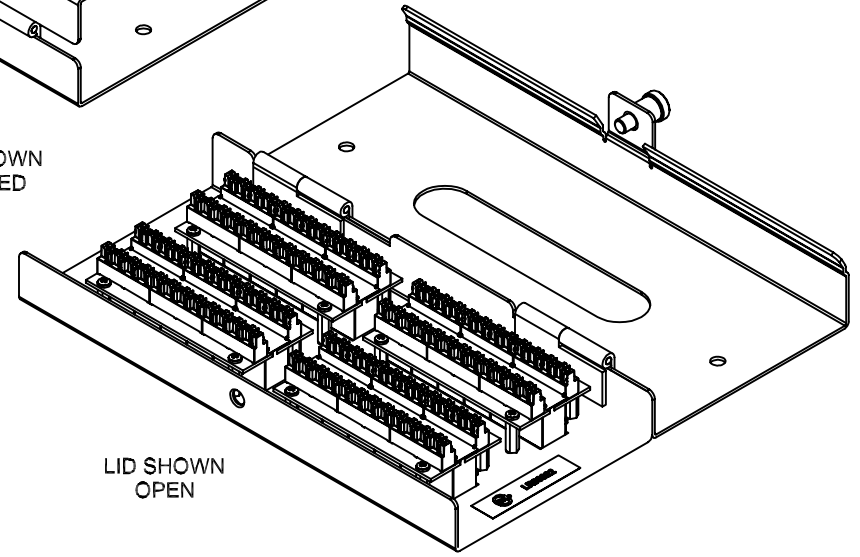
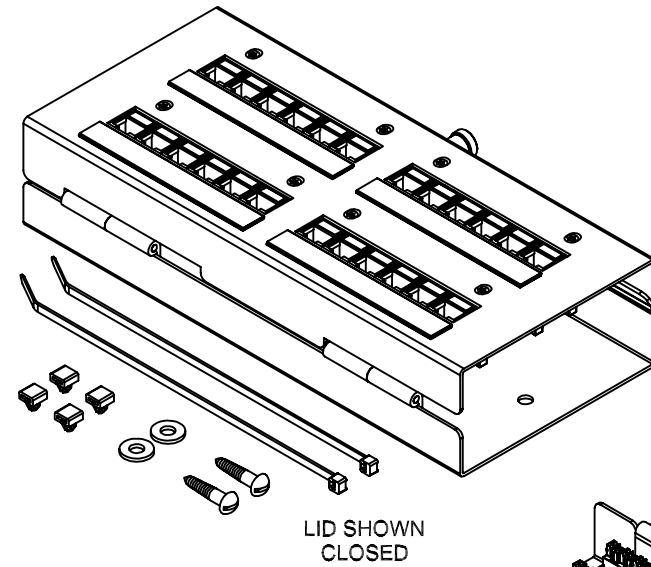
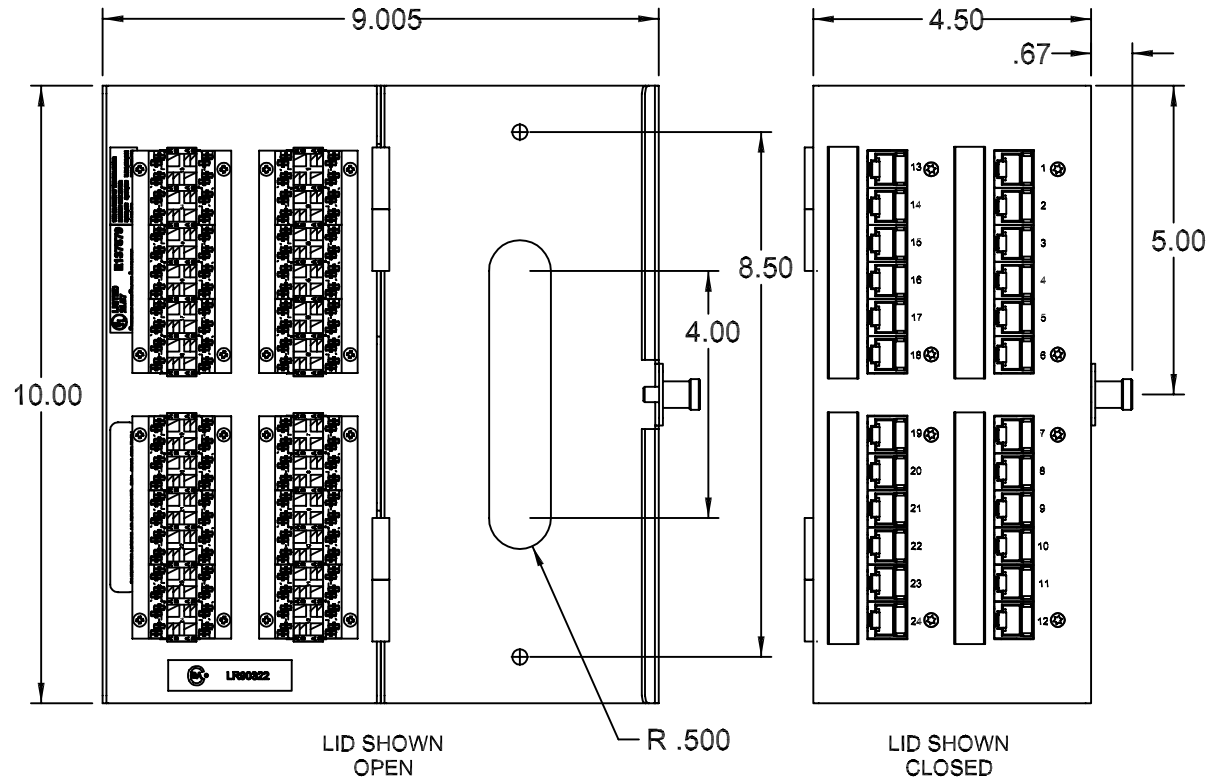
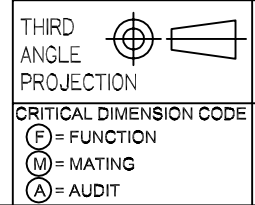


REVISION HISTORY				
REV	SHT	DESCRIPTION	DATE	CHECKED
A	ALL	RELEASE NEW	5/22/06	JFM



NOTES: UNLESS OTHERWISE SPECIFIED.
 1. EACH COMPLETE ASSY IS PROVIDED WITH A HARDWARE KIT CONSISTING OF:
 2 each - 7" LONG CABLE TIES
 2 each - #12 X 1" WOOD SCREWS
 2 each - #12 WASHERS
 4 each - CLIP STYLE FIBER MOUNTS



PP2488/110A6	PATCH PANEL ASSY, 24 PORT, WALLMOUNT, A6, 110, A/B
OCC PART NO.	DESCRIPTION

UNCONTROLLED COPY	
UNLESS OTHERWISE SPECIFIED DIMENSIONS ARE IN INCHES. TOLERANCES: FRACTIONS ±1/32" 4 PLACE DECIMALS ±.0050" 3 PLACE DECIMALS ±.010" 2 PLACE DECIMALS ±.03"	THIS DRAWING AND THE DESIGN SHOWN ARE THE PROPERTY OF OPTICAL CABLE CORPORATION AND MAY NOT BE USED AS THE BASIS FOR MANUFACTURE OR SALE WITHOUT SPECIFIC WRITTEN PERMISSION OF OPTICAL CABLE CORPORATION.
MATERIAL ENCLOSURE: 16 GAGE CRP (0.0598 THK)	FINISH ENCLOSURE: BLACK PER SPEC# 10002501
DRAWN D.A.HOLBERT	DATE 5/22/06
CHECKED J.MALTAIS	DATE 5/23/06
DESIGNER J.YANIK	DATE 5/22/06
APPROVED S.FUNDERUD	DATE 5/23/06
PREVIOUS DWG	
NEXT DWG	FILENAME C106737A.DFT

5290 Concourse Drive
 Roanoke, VA 24019
 Phone: 800-622-7711
 Fax: 540-265-0724
 www.occfiber.com

DWG TITLE		CUSTOMER DRAWING, PATCH PANEL ASSY, 24 PORT, WALLMOUNT, CAT6, 110, A/B	
SIZE	DWG NO.	REV	
B	C106737	A	
SCALE:	NONE	SHEET	1 OF 1