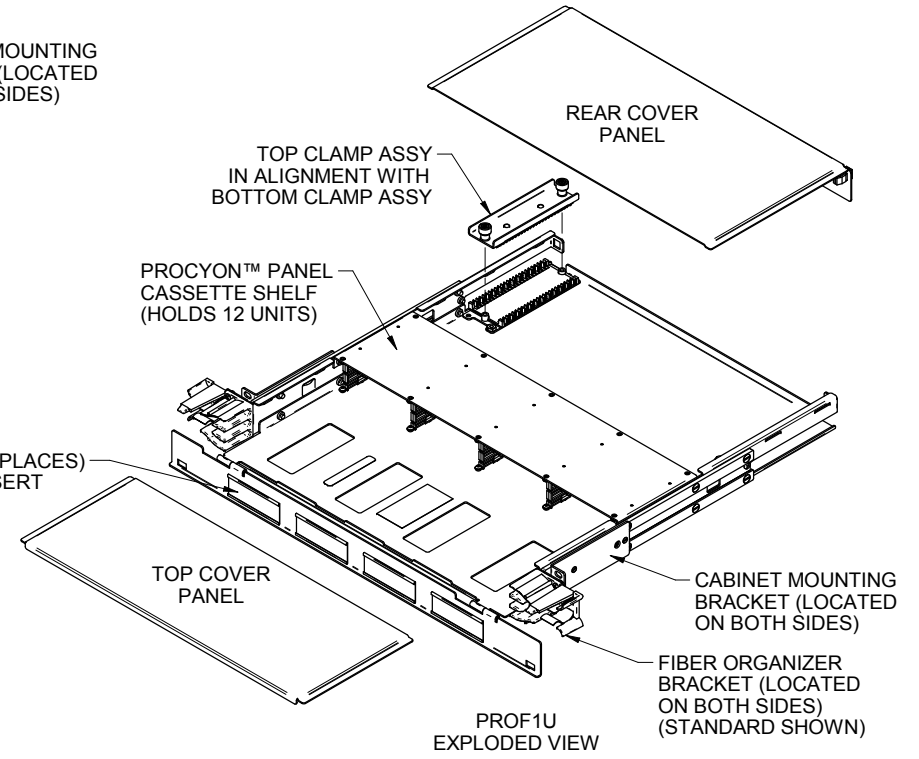
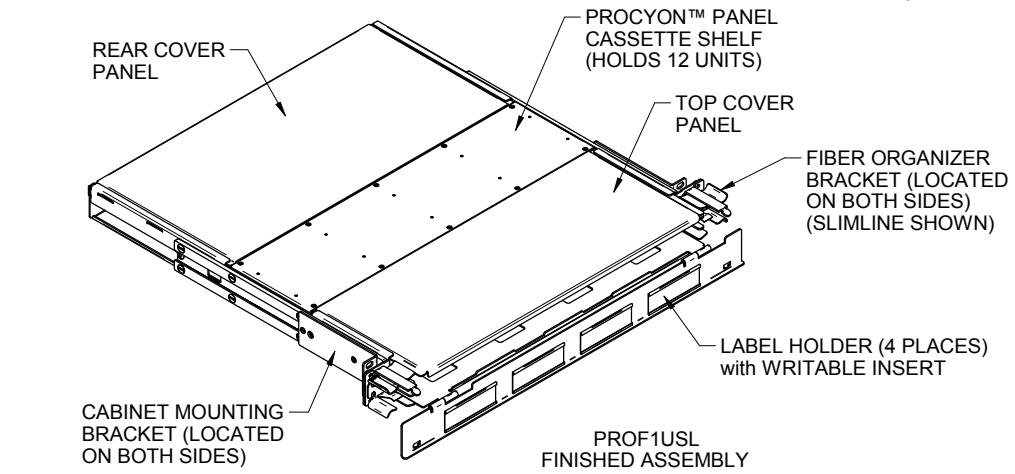
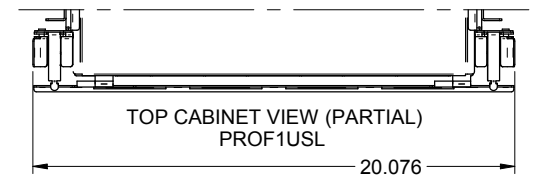
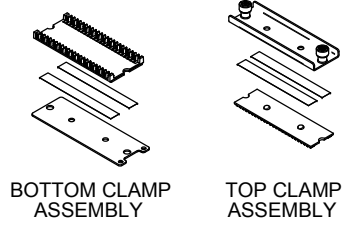
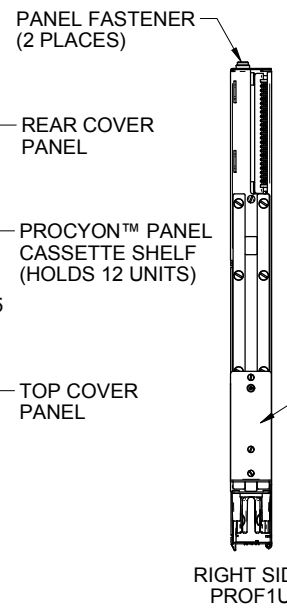
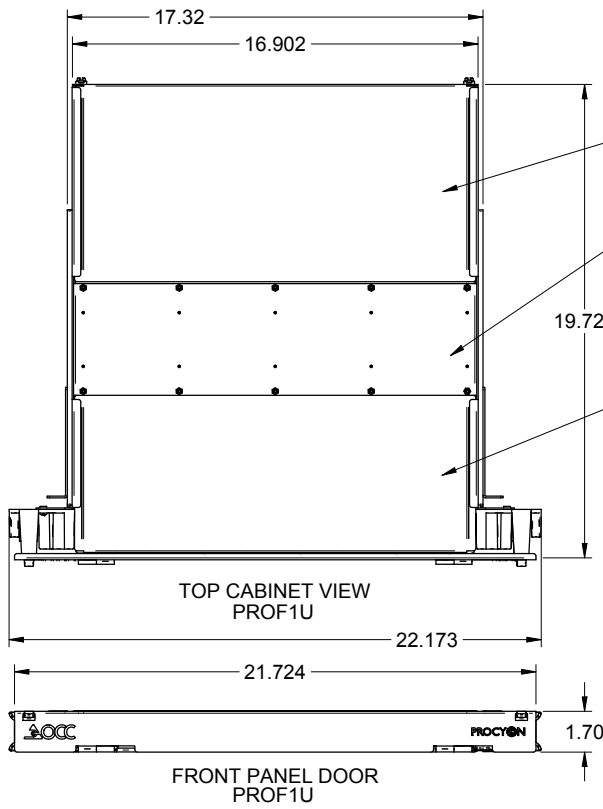


REVISION HISTORY		DATE	ECN	CHECKED
REV/SHT	DESCRIPTION			
A	ALL RELEASE NEW	12/8/11	NEW	SS



OCC PART NO.	DESCRIPTION
PROF1USL	CABINET, PROCYON™, FIBER PANEL, 1U, BLACK, SLIMLINE
PROF1U	CABINET, PROCYON™, FIBER PANEL, 1U, BLACK

UNLESS OTHERWISE SPECIFIED THIS DRAWING AND THE DESIGN SHOWN ARE THE PROPERTY OF OPTICAL CABLE CORPORATION AND MAY NOT BE USED AS THE BASIS FOR MANUFACTURE OR SALE WITHOUT SPECIFIC WRITTEN PERMISSION OF OPTICAL CABLE CORPORATION.	
MATERIAL SEE BILL OF MATERIAL	THIS DRAWING AND THE DESIGN SHOWN ARE THE PROPERTY OF OPTICAL CABLE CORPORATION AND MAY NOT BE USED AS THE BASIS FOR MANUFACTURE OR SALE WITHOUT SPECIFIC WRITTEN PERMISSION OF OPTICAL CABLE CORPORATION.
CHECKED R.B.SMITH	DATE 12/8/11
ENGINEER S.SEO	DATE 12/8/11
APPROVED J.HOWE	DATE 12/8/11
PREVIOUS DWG	
NEXT DWG	

A OCC
OPTICAL CABLE CORPORATION

33 Superior Way
Swannanoa, NC 28778
Phone: 828-298-2260
Fax: 828-298-2487
www.occfiber.com

CUSTOMER DRAWING,
CABINET, PROCYON™, 1U, FIBER PANEL

SIZE C DWG NO. **C111062** REV A

SCALE: NONE SHEET 1 OF 1

THIRD ANGLE PROJECTION

CRITICAL DIMENSION CODE

(F) = FUNCTION
(M) = MATING
(A) = AUDIT

UNCONTROLLED COPY