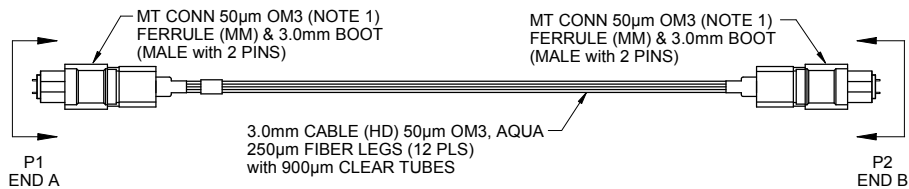
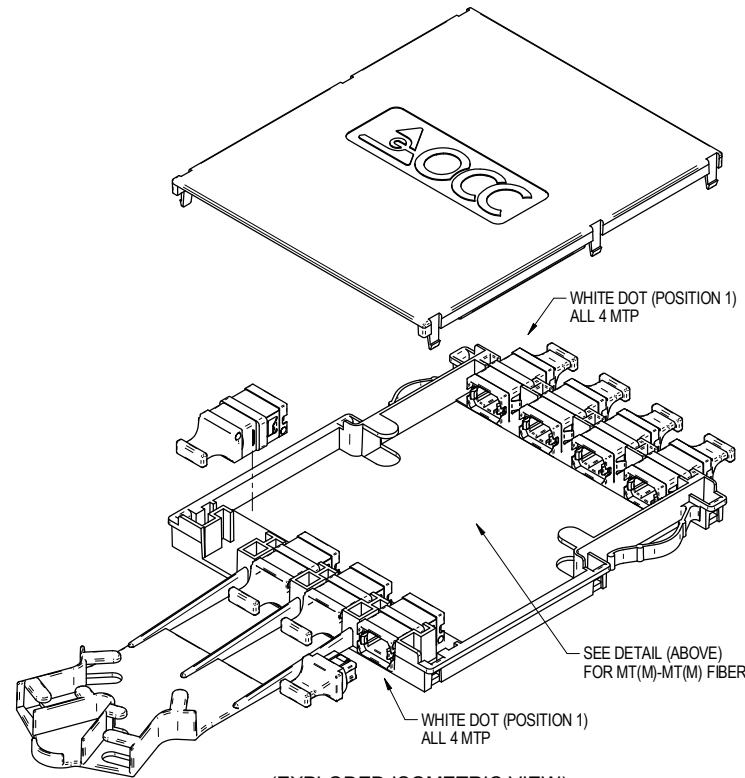


MT-MT WIRING CHART		
P1-1	P2-1	BLUE
P1-2	P2-2	ORANGE
P1-3	P2-3	GREEN
P1-4	P2-4	BROWN
P1-5	P2-5	SLATE
P1-6	P2-6	WHITE
P1-7	P2-7	RED
P1-8	P2-8	BLACK
P1-9	P2-9	YELLOW
P1-10	P2-10	PURPLE
P1-11	P2-11	ROSE
P1-12	P2-12	AQUA

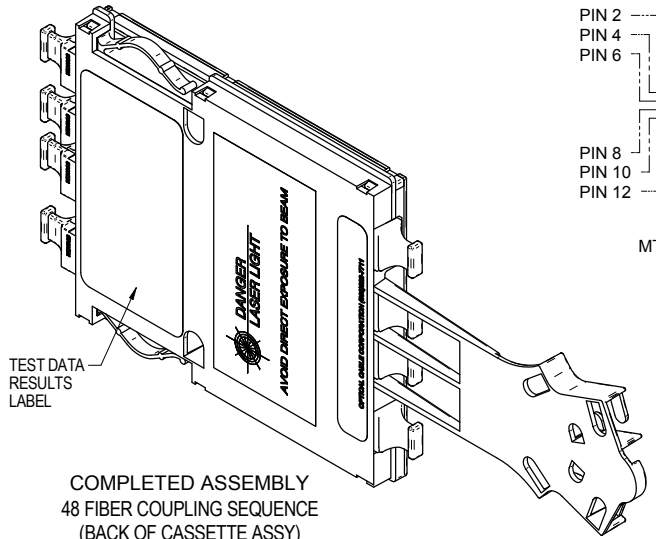
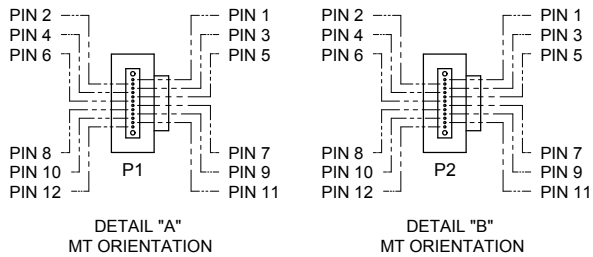


FIBER ASSY MT(M) 12F 50µm OM3 (HD) PLENUM  
(SHOWN FOR CLARITY)

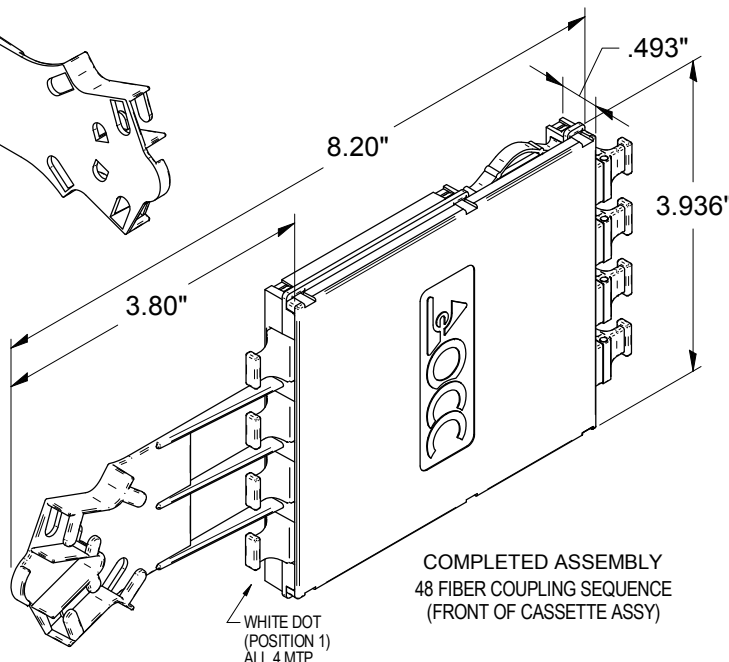
REVISION HISTORY				
REV/SHT	DESCRIPTION	DATE	ECN	CHECKED
A	ALL RELEASE NEW	6/4/12	NEW	RBS



(EXPLODED ISOMETRIC VIEW)  
 PROMT48MTSM (NO FIBER)  
 PROMT48MTMM (NO FIBER)  
 PROMT48MTMMG (NO FIBER)



COMPLETED ASSEMBLY  
48 FIBER COUPLING SEQUENCE  
(BACK OF CASSETTE ASSY)



COMPLETED ASSEMBLY  
48 FIBER COUPLING SEQUENCE  
(FRONT OF CASSETTE ASSY)

- NOTES: UNLESS OTHERWISE SPECIFIED.
- FIBER CABLE ASSEMBLY TO BE PLUGGED INTO THE APPROPRIATE COUPLER/ADAPTER (SEE COUPLING SEQUENCES) WITH SLACK FIBER COILED IN A COUNTER-CLOCKWISE DIRECTION.
  - FIBER LEADS FROM MT COUPLER (POSITIONS 1 THRU 12) ARE CONNECTED TO MT COUPLER (POSITIONS 1 THRU 12)
  - TEST DATA IS PROVIDED FOR EACH END OF FIBER CABLE ASSEMBLY. INCLUDED IN SHIPPING PACKAGE.

UNCONTROLLED COPY

PROMT48MTWLS	CASSETTE ASSY, MTP X 4, 62.5µm, MT(M), FAN-OUT, PROCYON
PROMT48MTSLA	CASSETTE ASSY, MTP X 4, SM, MT(M), FAN-OUT, PROCYON
PROMT48MTABT	CASSETTE ASSY, MTP X 4, OM3, MT(M), FAN-OUT, PROCYON
PROMT48MTABE	CASSETTE ASSY, MTP X 4, OM4, MT(M), FAN-OUT, PROCYON
OCC PART NO.	DESCRIPTION

UNLESS OTHERWISE SPECIFIED DIMENSIONS ARE IN INCHES		THIS DRAWING AND THE DESIGN SHOWN ARE THE PROPERTY OF OPTICAL CABLE CORPORATION AND MAY NOT BE USED AS THE BASIS FOR MANUFACTURE OR SALE WITHOUT SPECIFIC WRITTEN PERMISSION OF OPTICAL CABLE CORPORATION.		 33 Superior Way Swannanoa, NC 28778 Phone: 828-298-2260 Fax: 828-298-2487 www.occfiber.com	
TOLERANCES: FRACTIONS: ±1/32" ANGLES: 0.01° 3 PLACE DECIMALS ±.005" 2 PLACE DECIMALS ±.01"		DRAWN	D.A.HOLBERT	DATE	6/4/12
MATERIAL SEE BILL OF MATERIAL		CHECKED	R.B.SMITH	DATE	6/4/12
THIRD ANGLE PROJECTION		ENGINEER	J.YANIK	DATE	6/4/12
CRITICAL DIMENSION CODE		APPROVED	J.HOWE	DATE	6/4/12
① = FUNCTION ② = MATING ③ = AUDIT		PREVIOUS DWG		SIZE	C
FINISH SEE NOTES		FILENAME	C111235A.DFT	SCALE	NONE
		DWG TITLE	CASSETTE ASSEMBLY, PROCYON, 48F-MTPx4 CONN, WITH FAN-OUT		REV A
		DWG NO.	C111235		SHEET 1 OF 1