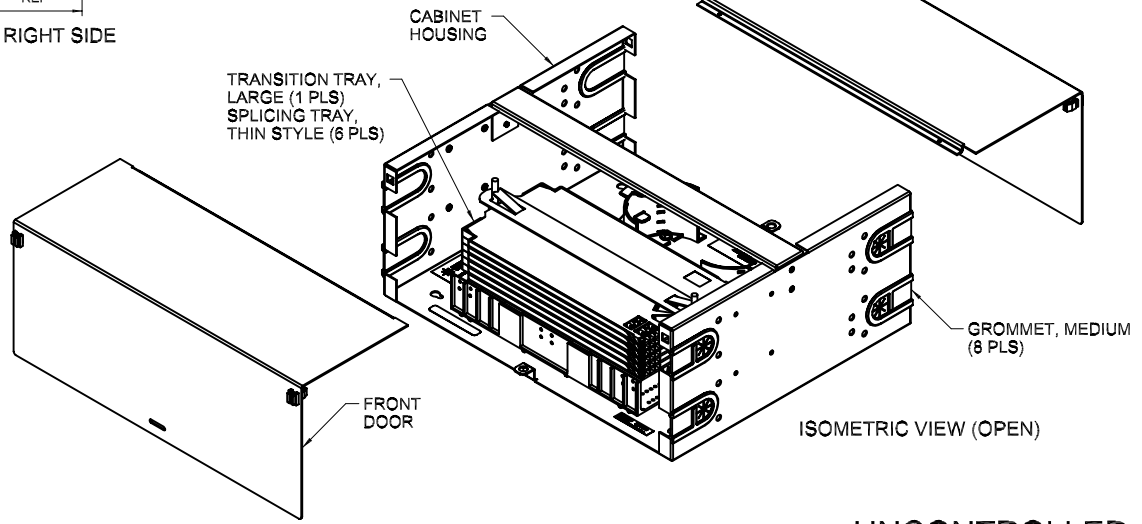
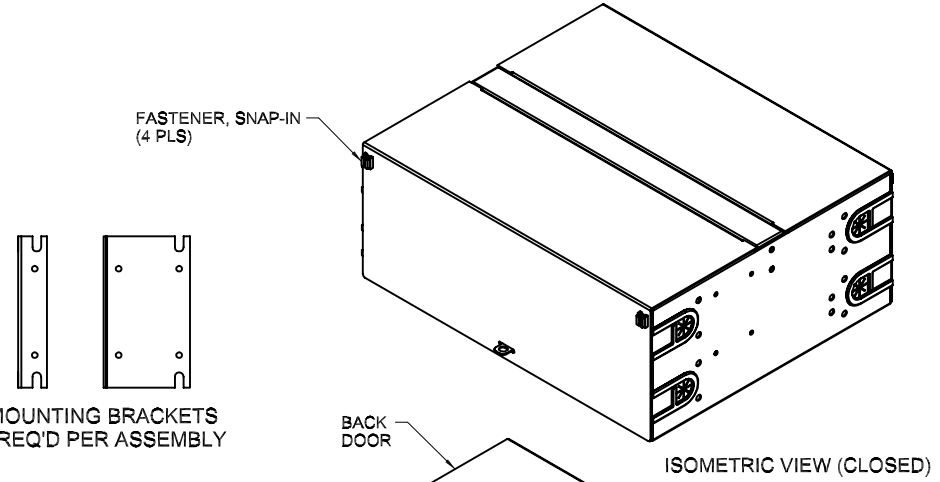
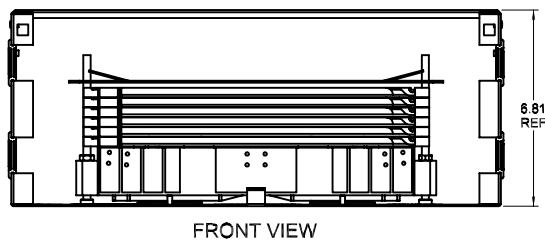
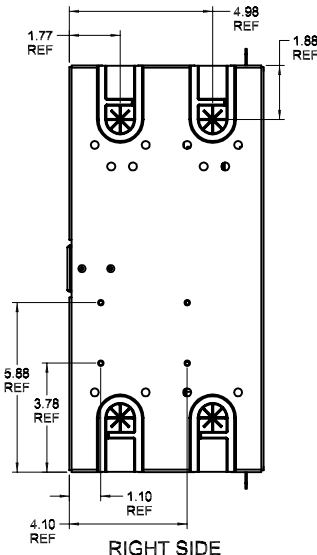
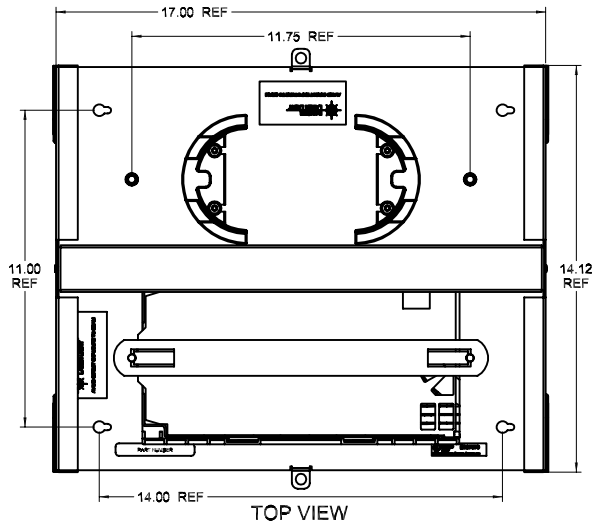


REVISION HISTORY				
REV	DATE	BY	CHKD	DESCRIPTION
A	8/21/08	JY	NEW	RELEASE NEW



SPECIFICATIONS

FEATURES & BENEFITS:

- OPTICAL CABLE CORPORATIONS, FIBEROPTICX (RSC SERIES) RACK MOUNT FIBER OPTIC CROSS CONNECT CABINETS PROVIDE FIBER MANAGEMENT, CONNECTIVITY AND DISTRIBUTION FOR 6 TO 288 FIBERS. ACCOMMODATES ALL CROSS CONNECT FUNCTIONS (SPLICING, TERMINATION, AND INTERCONNECTION) FOR OUTSIDE PLANT, BACKBONE, AND BUILDING CABLES.
- RSC CABINETS CAN BE ORDERED EMPTY, LOADED, OR CUSTOM-CONFIGURED TO YOUR PARTICULAR SPECIFICATIONS.
- RSC CABINETS PROVIDE PATCH & SPLICE CAPABILITIES. INNOVATIVE FIBER MANAGEMENT SYSTEM USES TWO TIER FIBER STORAGE HOOPS DESIGNED TO MAINTAIN ORDERLY FIBER MANAGEMENT.
- PLASTIC GROMMETS PROVIDE RELIABLE CABLE PROTECTION AT ALL CABLE ENTRANCES AND EXITS.
- REMOVABLE COVER PROVIDE EASY FRONT AND REAR ACCESS. FRONT AND REAR ACCESS ALLOWS STACKING MULTIPLE RSC CABINETS ON STANDARD 19" AND 23" RACKS.
- STANDARD UNIVERSAL MOUNTING BRACKETS TO FIT 19" AND 23" RACKS OR CABINETS. MOUNTING HARDWARE INCLUDED WITH RSC CABINETS. OPTIONAL RECESS BRACKETS ALLOW CABINETS TO FIT FLUSH WITH RACK.
- RUGGED 16-GAUGE STEEL CONSTRUCTION WITH A DURABLE POWDER COAT FINISH. CABINET COLOR: A = ALMOND, B = BLACK.
- ACCOMMODATES PLP® COYOTE™ SPLICE TRAYS.
- ALL PLASTIC COMPONENTS ARE HIGH IMPACT SELF-EXTINGUISHING UL LISTED RATING 94V-0.

UNCONTROLLED COPY

OCC PART NO.	DESCRIPTION
RSC-144B	CABINET ASSEMBLY, RACK MT, 144, SPLICING, BLACK
RSC-144A	CABINET ASSEMBLY, RACK MT, 144, SPLICING, ALMOND

UNCONTROLLED COPY			
UNLESS OTHERWISE SPECIFIED DIMENSIONS ARE IN INCHES. TOLERANCES: FRACTIONS: 1/8" ± 1/32" ANGLES: ±1/2° 3 PLACE DECIMALS = .001" 2 PLACE DECIMALS = .01"			
THIS DRAWING AND THE DESIGN SHOWN ARE THE PROPERTY OF OPTICAL CABLE CORPORATION AND MAY NOT BE USED AS THE BASIS FOR MANUFACTURE OR SALE WITHOUT SPECIFIC WRITTEN PERMISSION OF OPTICAL CABLE CORPORATION.			
DRAWN	J. MALTAIS	DATE	10/26/06
CHECKED	J. YANIK	DATE	11/8/06
ENGINEER	J. MALTAIS	DATE	10/26/06
APPROVED	R. B. SMITH	DATE	4/12/07
PREVIOUS DWG			
NEXT DWG		FILENAME	C107736S3A.dft

		5290 Concourse Drive Roanoke, VA 24019 Phone: 800-822-7711 Fax: 540-265-0724 www.occfiber.com	
DWG TITLE CUSTOMER DRAWING, RSC ASSY, 144 FIBER, RACK MOUNT, SPLICING			
SIZE	C	DWG NO.	C107736
REV	A	SHEET	3 OF 3

