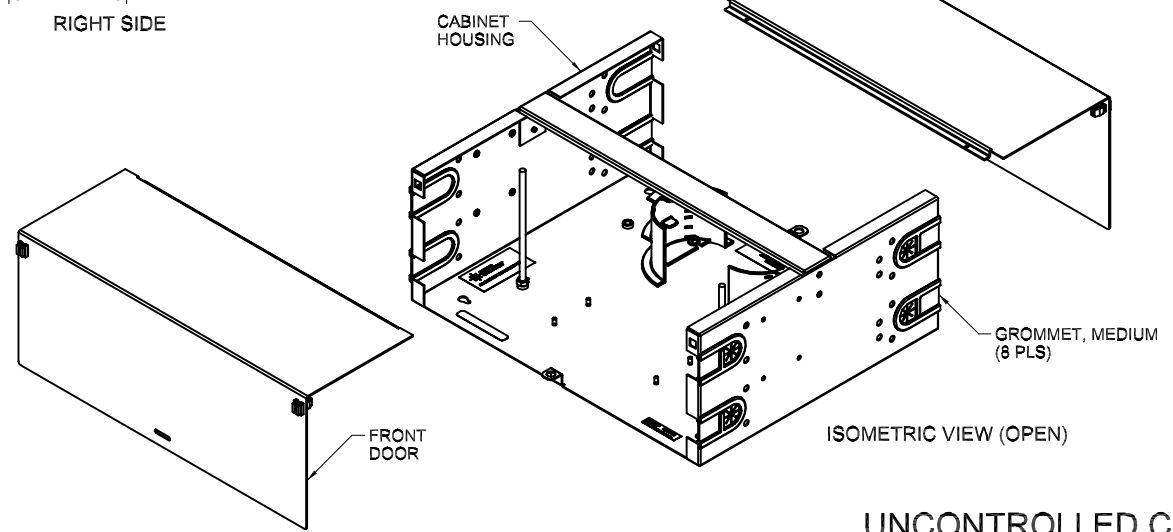
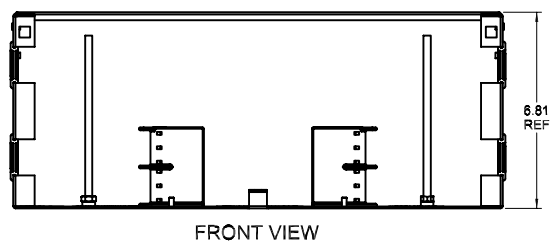
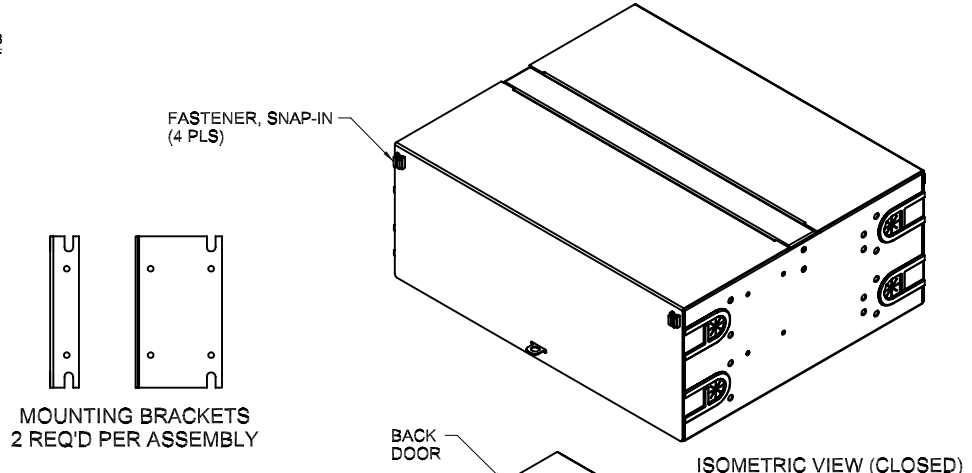
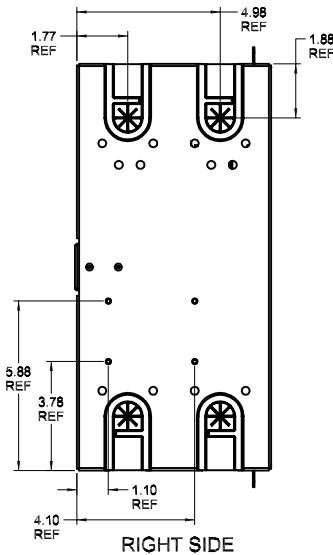
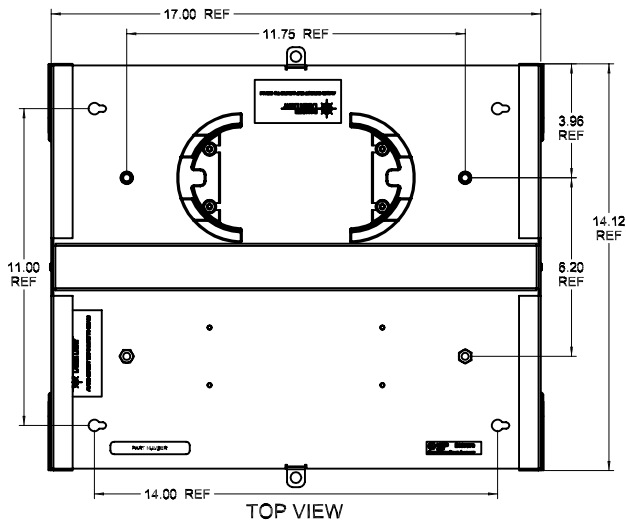


REVISION HISTORY				
REV	DATE	BY	CHKD	DESCRIPTION
A	8/21/08	NEW	JY	RELEASE NEW



SPECIFICATIONS

FEATURES & BENEFITS:

- OPTICAL CABLE CORPORATIONS, FIBEROPTICX (RSC SERIES) RACK MOUNT FIBER OPTIC CROSS CONNECT CABINETS PROVIDE FIBER MANAGEMENT, CONNECTIVITY AND DISTRIBUTION FOR 6 TO 288 FIBERS. ACCOMMODATES ALL CROSS CONNECT FUNCTIONS (SPLICING, TERMINATION, AND INTERCONNECTION) FOR OUTSIDE PLANT, BACKBONE, AND BUILDING CABLES.
- RSC CABINETS CAN BE ORDERED EMPTY, LOADED, OR CUSTOM-CONFIGURED TO YOUR PARTICULAR SPECIFICATIONS.
- RSC CABINETS PROVIDE PATCH & SPLICE CAPABILITIES. INNOVATIVE FIBER MANAGEMENT SYSTEM USES TWO TIER FIBER STORAGE HOOPS DESIGNED TO MAINTAIN ORDERLY FIBER MANAGEMENT.
- PLASTIC GROMMETS PROVIDE RELIABLE CABLE PROTECTION AT ALL CABLE ENTRANCES AND EXITS.
- REMOVABLE COVER PROVIDE EASY FRONT AND REAR ACCESS. FRONT AND REAR ACCESS ALLOWS STACKING MULTIPLE RSC CABINETS ON STANDARD 19" AND 23" RACKS.
- STANDARD UNIVERSAL MOUNTING BRACKETS TO FIT 19" AND 23" RACKS OR CABINETS. MOUNTING HARDWARE INCLUDED WITH RSC CABINETS. OPTIONAL RECESS BRACKETS ALLOW CABINETS TO FIT FLUSH WITH RACK.
- RUGGED 16-GAUGE STEEL CONSTRUCTION WITH A DURABLE POWDER COAT FINISH. CABINET COLOR: A = ALMOND, B = BLACK.
- ACCOMMODATES PLP® COYOTE™ SPLICE TRAYS.
- ALL PLASTIC COMPONENTS ARE HIGH IMPACT SELF-EXTINGUISHING UL LISTED RATING 94V-0.

UNCONTROLLED COPY

RSC-B	CABINET ASSEMBLY, RACK MOUNT, SPLICING, BLACK
RSC-A	CABINET ASSEMBLY, RACK MOUNT, SPLICING, ALMOND
OCC PART NO.	DESCRIPTION

UNCONTROLLED COPY			
UNLESS OTHERWISE SPECIFIED DIMENSIONS ARE IN INCHES. TOLERANCES: FRACTIONS = ±1/32" ANGLES = ±12° 3 PLACE DECIMALS = .005" 2 PLACE DECIMALS = .01"			
MATERIAL	SEE BILL OF MATERIAL	FINISH	SEE NOTES
DRAWN	J. MALTAIS	DATE	10/26/06
CHECKED	J. YANIK	DATE	11/8/06
ENGINEER	J. MALTAIS	DATE	10/26/06
APPROVED	R. B. SMITH	DATE	4/12/07
PREVIOUS DWG			
NEXT DWG			
FILENAME	C107736S1A.dft	SCALE	NONE
SHEET	1	OF 3	

		5290 Concourse Drive Roanoke, VA 24019 Phone: 800-822-7711 Fax: 540-285-0724 www.occfiber.com
DWG TITLE: CUSTOMER DRAWING, RSC ASSEMBLY, RACK MOUNT, SPLICING		
SIZE	C	DWG NO. C107736
REV	A	

