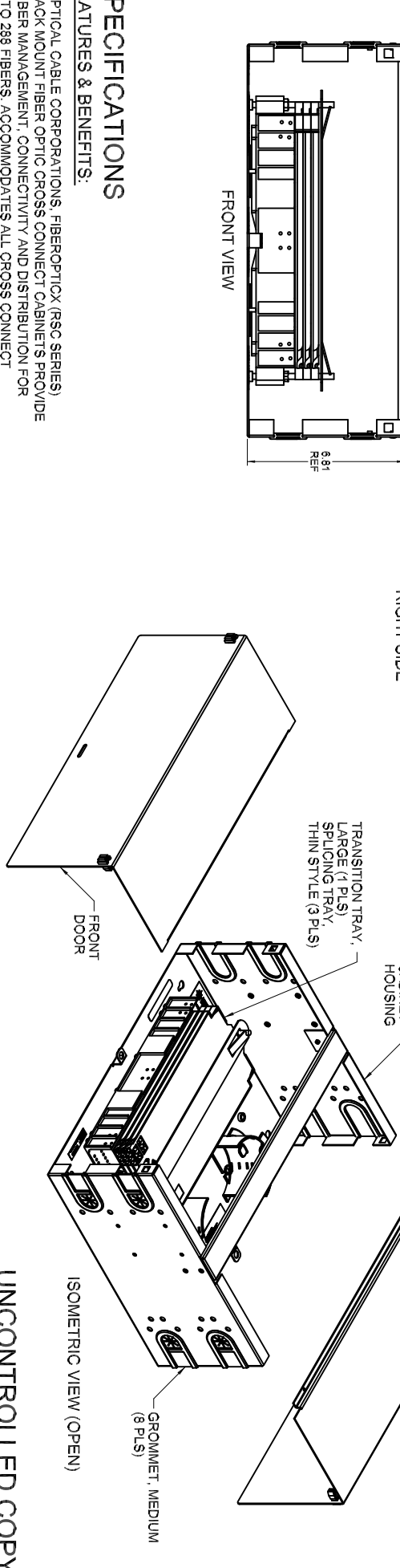
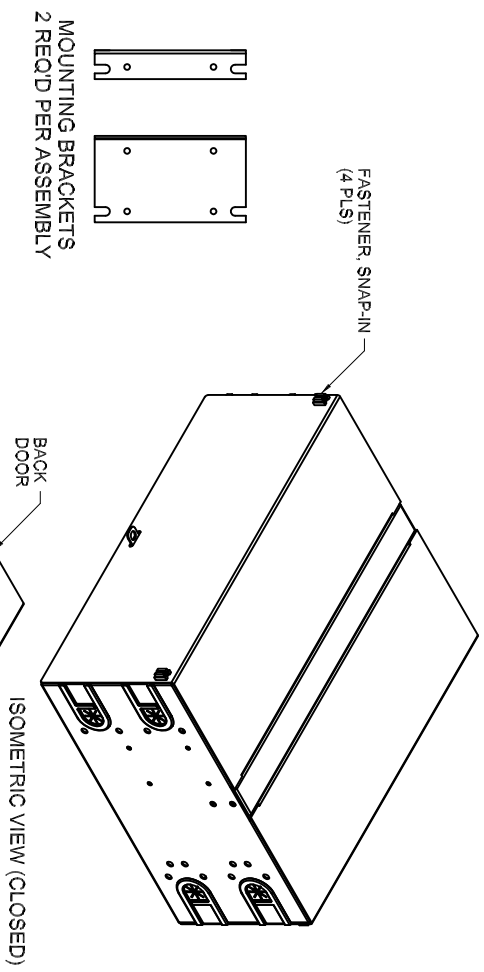
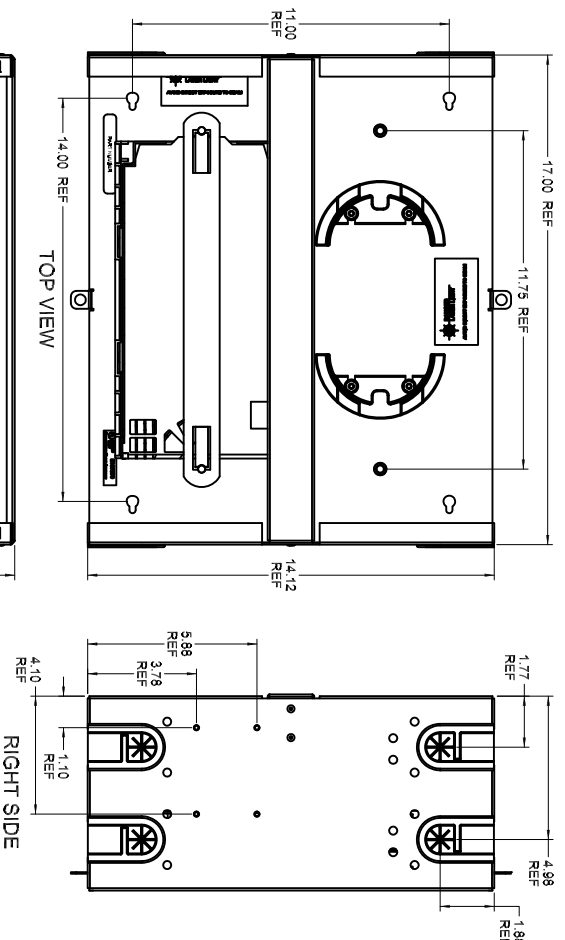


REV	DATE	DESCRIPTION	BY	CHKD
A	02/10/08	NEW	JV	



SPECIFICATIONS

FEATURES & BENEFITS:

- OPTICAL CABLE CORPORATIONS, FIBEROPTICX (RSC SERIES) RACK MOUNT FIBER OPTIC CROSS CONNECT CABINETS PROVIDE FIBER MANAGEMENT, CONNECTIVITY AND DISTRIBUTION FOR 6 TO 288 FIBERS, ACCOMMODATES ALL CROSS CONNECT FUNCTIONS (SPLICING, TERMINATION, AND INTERCONNECTION) FOR OUTSIDE PLANT, BACKBONE, AND BUILDING CABLES.
- RSC CABINETS CAN BE ORDERED EMPTY, LOADED, OR CUSTOM-CONFIGURED TO YOUR PARTICULAR SPECIFICATIONS.
- RSC CABINETS PROVIDE PATCH & SPLICE CAPABILITIES. INNOVATIVE FIBER MANAGEMENT SYSTEM USES TWO TIER FIBER STORAGE HOOPS DESIGNED TO MAINTAIN ORDERLY FIBER MANAGEMENT.
- PLASTIC GROMMETS PROVIDE RELIABLE CABLE PROTECTION AT ALL CABLE ENTRANCES AND EXITS.
- REMOVABLE COVER PROVIDE EASY FRONT AND REAR ACCESS. FRONT AND REAR ACCESS ALLOWS STACKING MULTIPLE RSC CABINETS ON STANDARD 19" AND 23" RACKS.

- STANDARD UNIVERSAL MOUNTING BRACKETS TO FIT 19" AND 23" RACKS OR CABINETS. MOUNTING HARDWARE INCLUDED WITH RSC CABINETS. OPTIONAL RECESS BRACKETS ALLOW CABINETS TO FIT FLUSH WITH RACK.
- RUGGED 16-GAUGE STEEL CONSTRUCTION WITH A DURABLE POWDER COAT FINISH. CABINET COLOR: A = ALMOND, B = BLACK.
- ACCOMMODATES PL® COYOTE™ SPLICE TRAYS.
- ALL PLASTIC COMPONENTS ARE HIGH IMPACT SELF-EXTINGUISHING UL LISTED RATING 94V-0.

REV	DATE	DESCRIPTION	BY	CHKD
A	02/10/08	NEW	JV	

RSC-72B	CABINET ASSEMBLY, RACK MT., 72, SPLICING, BLACK
RSC-72A	CABINET ASSEMBLY, RACK MT., 72, SPLICING, ALMOND

UNCONTROLLED COPY	THIS DRAWING AND THE DESIGN IT CONTAINS ARE THE PROPERTY OF OPTICAL CABLE CORPORATION. NO PART OF THIS DRAWING OR DESIGN IS TO BE REPRODUCED OR TRANSMITTED IN ANY FORM OR BY ANY MEANS, ELECTRONIC OR MECHANICAL, INCLUDING PHOTOCOPYING, RECORDING, OR BY ANY INFORMATION STORAGE AND RETRIEVAL SYSTEM, WITHOUT THE WRITTEN PERMISSION OF OPTICAL CABLE CORPORATION.
UNCONTROLLED COPY	UNLESS OTHERWISE SPECIFIED, DIMENSIONS ARE IN INCHES. DIMENSIONS IN PARENT PARENTHESES ARE IN MILLIMETERS. ANGLES ARE IN DEGREES. PLACE DECIMALS AS FOLLOWS: 3 PLACE DECIMALS ±.01
UNCONTROLLED COPY	SEE BILL OF MATERIAL

DESIGNED BY	J. YANK	DATE	11/8/06
CHECKED BY	J. MALTAIS	DATE	10/28/08
APPROVED BY	R. B. SMITH	DATE	4/12/07
PREVIOUS DWG			
NEXT DWG			

FILENAME	C107736S2A.DWG	SCALE	NONE	SHEET	2 OF 3
----------	----------------	-------	------	-------	--------

COMPANY	OC	5290 Concourse Drive	Roanoke, VA 24019	Phone: 540-582-7274	Fax: 540-582-7274	www.occl.com
CUSTOMER DRAWING	RSC ASSY, 72 FIBER, RACK MOUNT, SPLICING	SIZE	DWG NO	C107736	REV	A