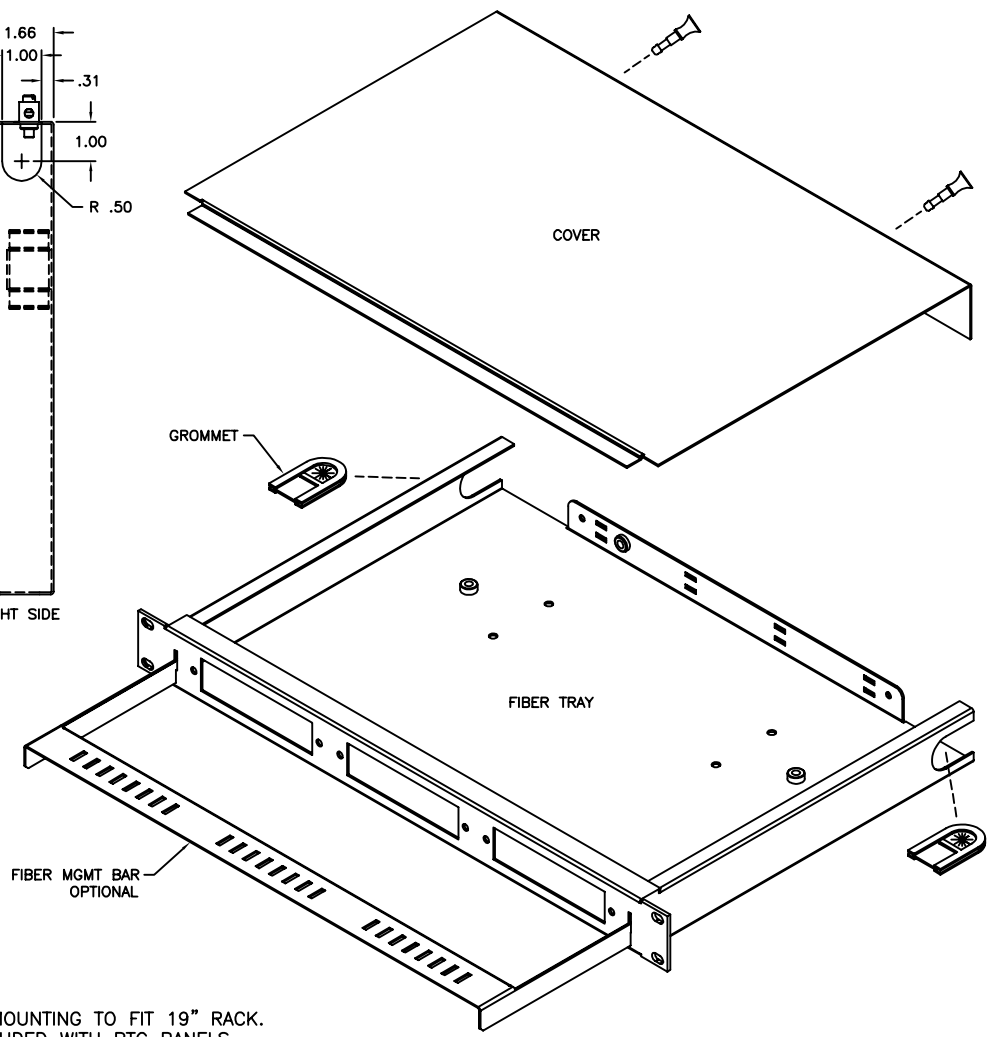
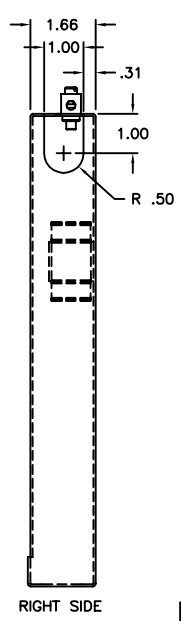
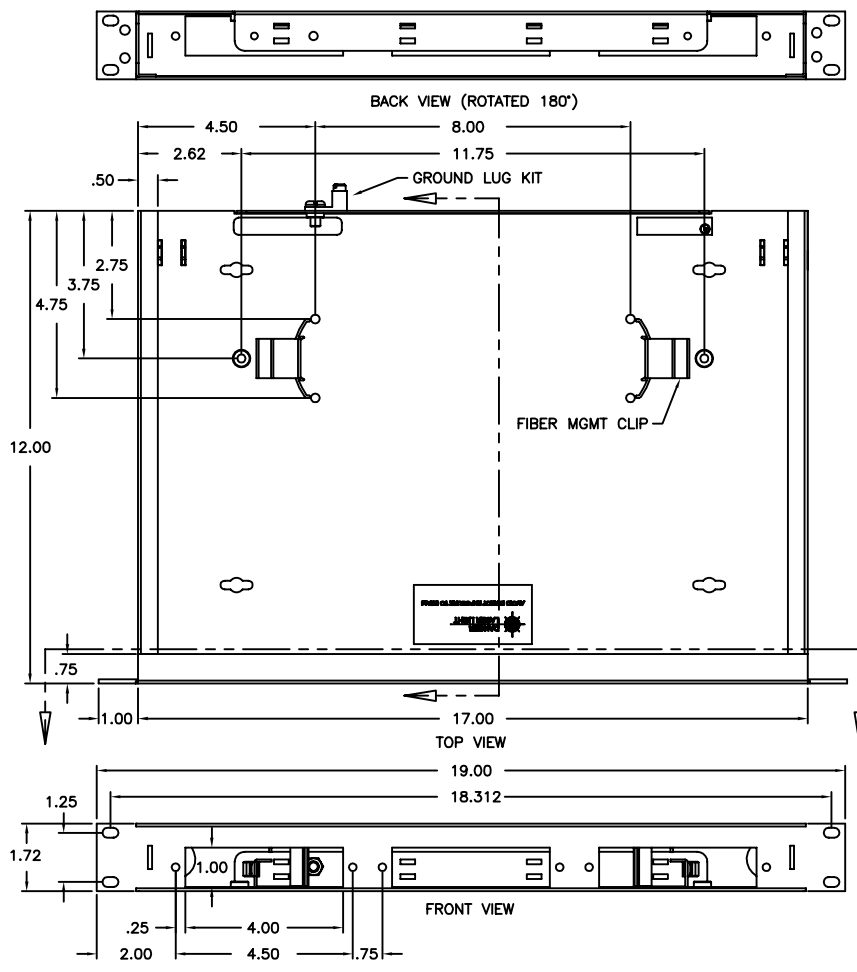


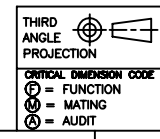
REV		SHT		DESCRIPTION		DATE	ECN	CHECKED
A	ALL	RELEASE	NEW			10/14/02	NEW	RBS
B	-	UPDATED:	DRAWING ASSY, PRODUCT NAME; ADDED: SHEET 2			12/12/03	-	DAH



## SPECIFICATIONS

### FEATURES & BENEFITS:

- OPTICAL CABLE CORPORATIONS, FIBEROPTICX (RTC SERIES) FIBER OPTIC MOUNTING CROSS CONNECT PATCH PANELS PROVIDE FIBER MANAGEMENT, CONNECTIVITY AND DISTRIBUTION FOR 6 TO 24 FIBERS. ACCOMMODATES ALL CROSS CONNECT FUNCTIONS (SPlicing, TERMINATION, AND INTERCONNECTION) FOR OUTSIDE PLANT, BACKBONE, AND BUILDING CABLES.
- ACCOMMODATES SNAP-IN ADAPTER PLATES. RTC PANEL PORT COUNT IS BASED ON THREE 6 OR 8 PORT ADAPTER PLATES FOR TERMINATE AND CABLE MANAGEMENT. WELL SUITED TO MULTIMEDIA/MULTI-APPLICATION CABLING ENVIRONMENTS. ADAPTER PLATES ORDERED SEPARATELY.
- PANEL IS RUGGED 16-GAUGE STEEL CONSTRUCTION WITH A DURABLE POWDER COAT FINISH, COLOR BLACK.
- OPTIONAL FIBER MANAGEMENT BAR OFFERS ENHANCED CABLE MANAGEMENT. TIE-WRAPs PROVIDED TO CONTROL CABLING ALONG BAR. BAR IS REMOVABLE FOR INSTALLATION CONVENIENCE.
- STANDARD PATCH PANEL MOUNTING TO FIT 19" RACK. MOUNTING HARDWARE INCLUDED WITH RTC PANELS.
- ALL PLASTIC COMPONENTS ARE HIGH IMPACT SELF-EXTINGUISHING, UL LISTED RATING 94V-0.
- ACCOMMODATES PLP® COYOTE™ SPLICE TRAYS.



RTC1UB		ASSY, RTC FIBER TRAY, 18/24 PORT, W/COVER & FIBER MGMT	
OCC PART NO.		DESCRIPTION	
<b>UNCONTROLLED COPY</b>			
UNLESS OTHERWISE SPECIFIED DIMENSIONS ARE IN INCHES TOLERANCES: FRACTIONS ±1/32" ANGLES ±12° 3 PLACE DECIMALS = .003" 2 PLACE DECIMALS = .01"		THIS DRAWING AND THE DESIGN SHOWN ARE THE PROPERTY OF OPTICAL CABLE CORPORATION AND MAY NOT BE USED AS THE BASIS FOR MANUFACTURE OR SALE WITHOUT SPECIFIC WRITTEN PERMISSION OF OPTICAL CABLE CORPORATION.	
DRAWN BY D.A.HOLBERT		DATE 10/14/02	DWG TITLE
CHECKED BY R.B.SMITH		DATE 10/15/02	CUSTOMER DRAWING, FIBER TRAY, RTC1UB, 18/24 PORT
ENGINEER J.YANIK		DATE 10/14/02	
APPROVED A.PIATEK		DATE 12/12/03	SIZE
PREVIOUS DWG			DWG NO. C103124
NEXT DWG		FILENAME C103124S1B.DWG	SCALE NONE
			SHEET 1 OF 2
			REV B

