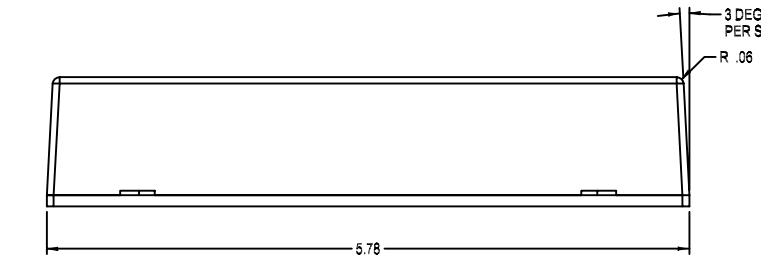
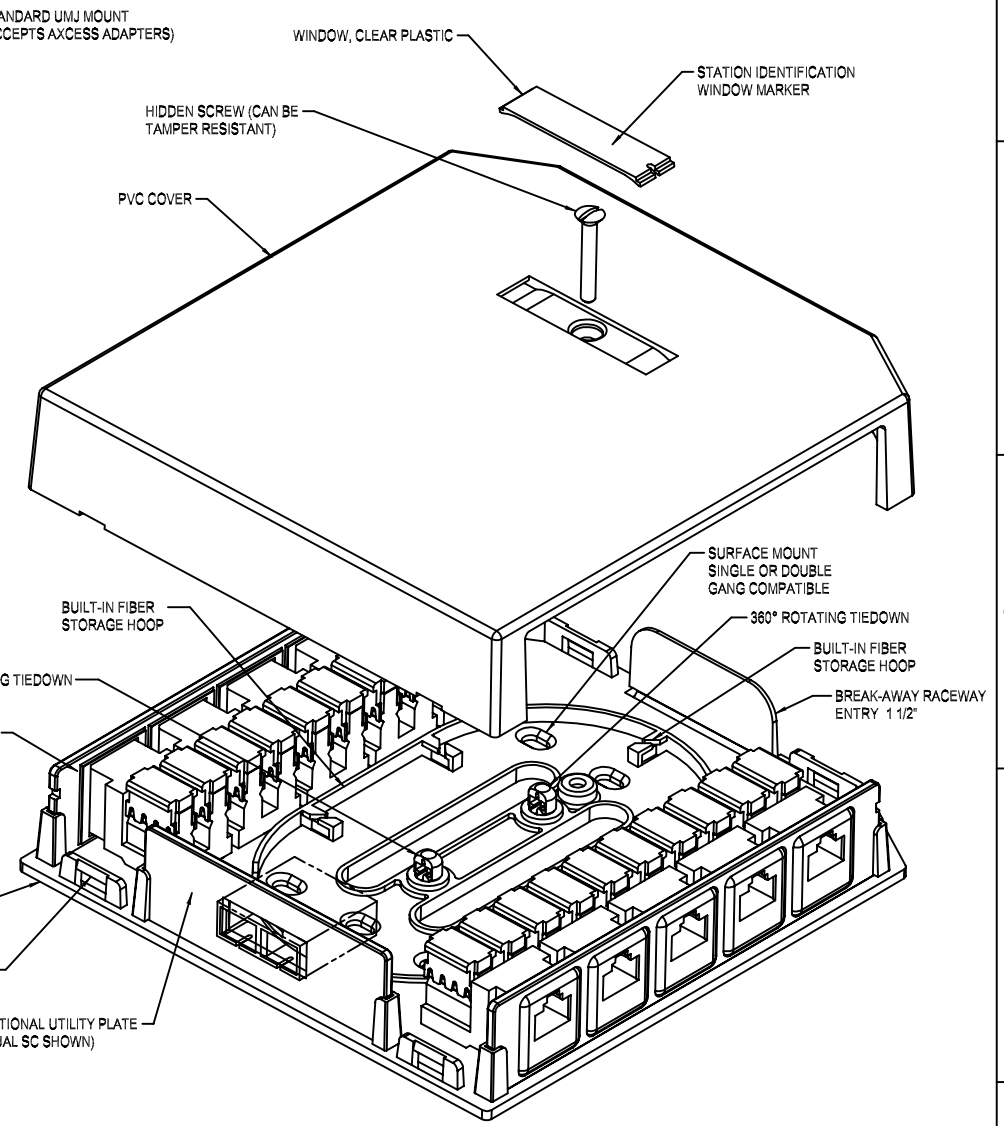
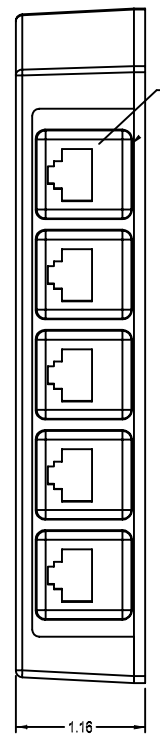
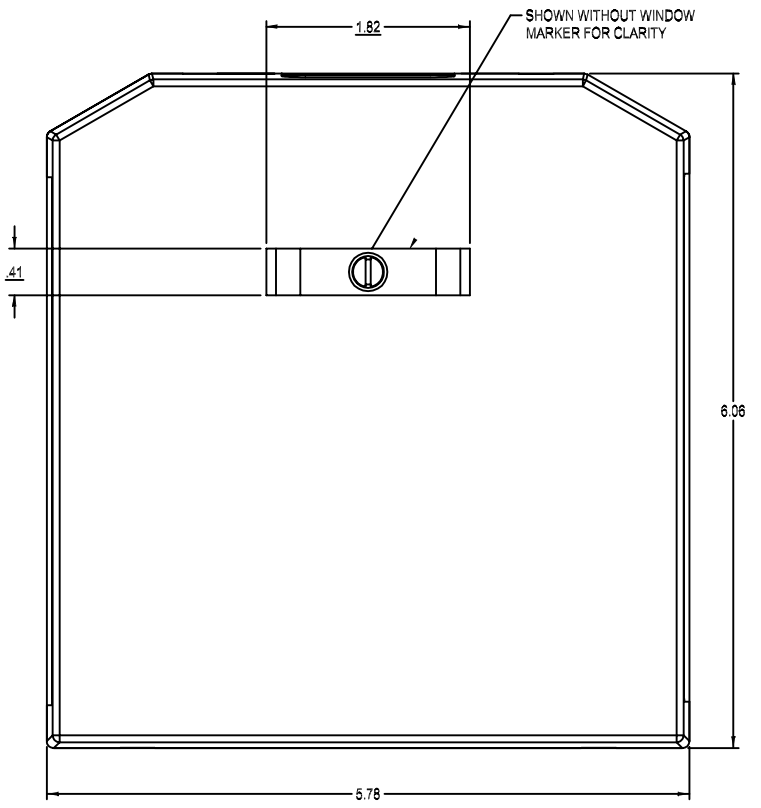
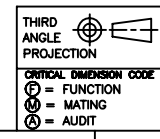


REV		SHT		DESCRIPTION		DATE	ECH	CHECKED
A	ALL	RELEASE	NEW			7/16/01	NEW	RBS



OCC PART NO.	DESCRIPTION
SME1006	SURFACE MOUNT ENCL, 10 PORT, GRAY
SME1001	SURFACE MOUNT ENCL, 10 PORT, OFF. WHITE
SME1000	SURFACE MOUNT ENCL, 10 PORT, ELEC. IVORY



UNCONTROLLED COPY	
UNLESS OTHERWISE SPECIFIED DIMENSIONS ARE IN INCHES TOLERANCES: FRACTIONS: ±1/32" 3 PLACE DECIMALS ±.005" 2 PLACE DECIMALS ±.01	THIS DRAWING AND THE DESIGN SHOWN ARE THE PROPERTY OF OPTICAL CABLE CORPORATION AND MAY NOT BE USED AS THE BASIS FOR MANUFACTURE OR SALE WITHOUT SPECIFIC WRITTEN PERMISSION OF OPTICAL CABLE CORPORATION
DRAWN BY D.A.HOLBERT	DATE 7/16/01
CHECKED BY R.B.SMITH	DATE 12/21/01
ENGINEER J.YANIK	DATE 7/16/01
APPROVED H.JOHNSON	DATE 6/23/10
PREVIOUS DWG	
NEXT DWG	

		5290 Concourse Drive Roanoke, VA 24019 Phone: 800-822-7711 Fax: 840-266-0724 www.occfiber.com
DWG TITLE: SURFACE MOUNT ENCL, 10 PORT, MULTIMEDIA		
SIZE: C	DWG NO.: C103156	REV: A
FILENAME: C103156A.DWG	SCALE: NONE	SHEET: 1 OF 1