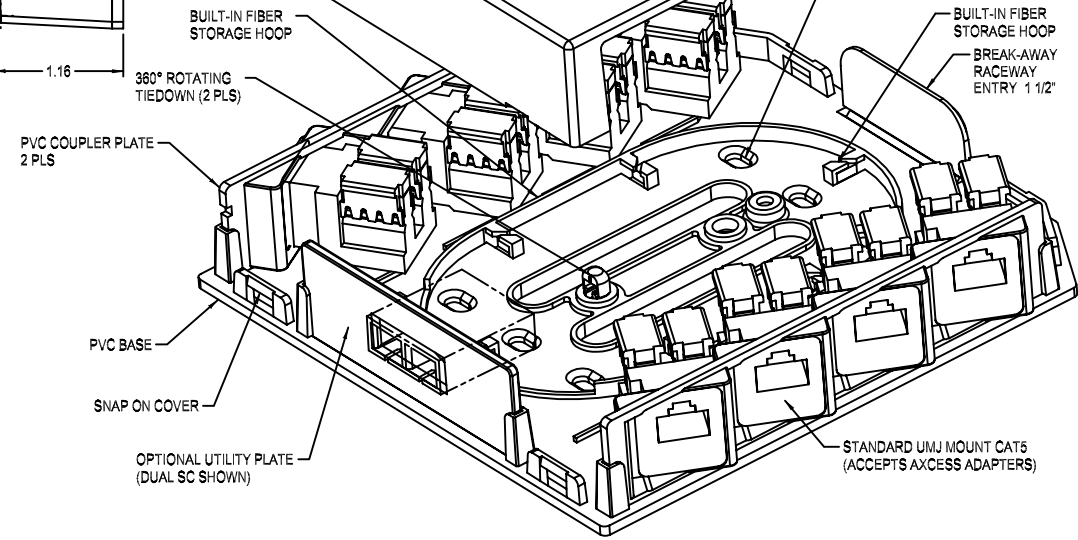
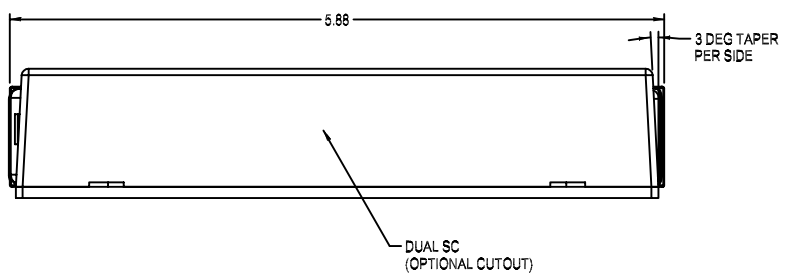
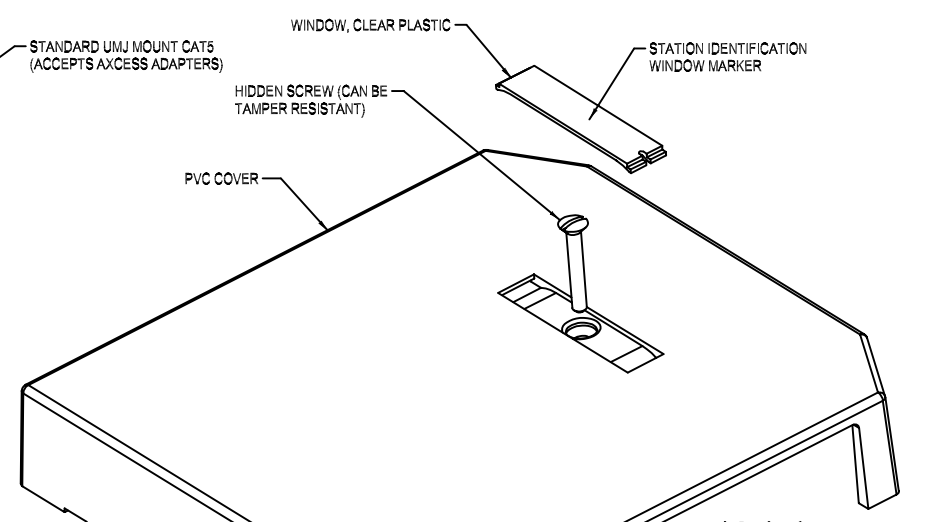
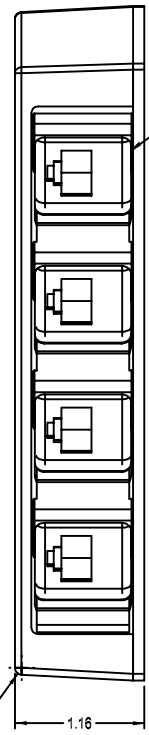
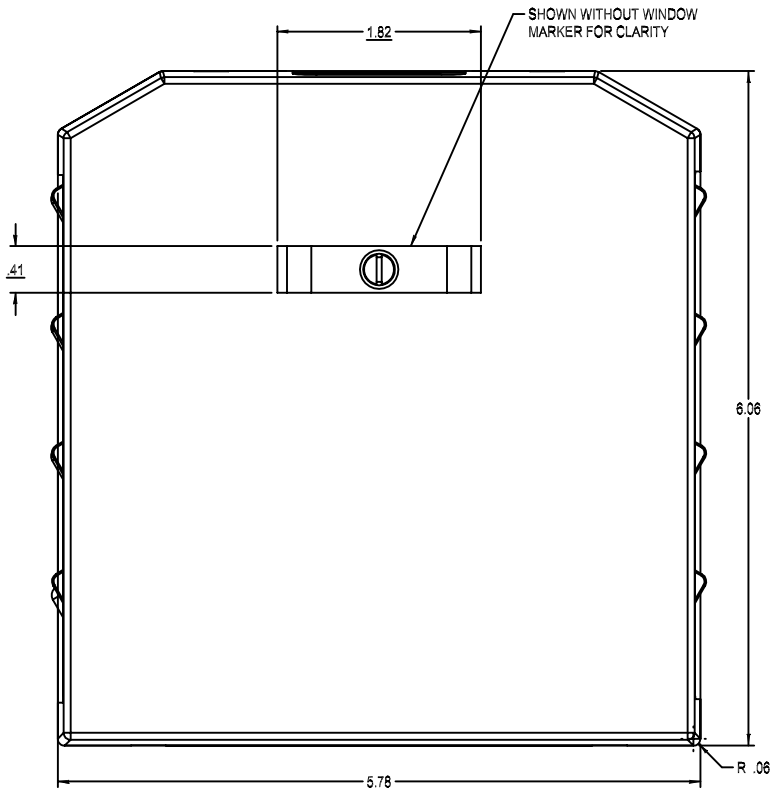
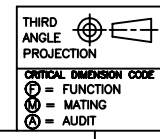


| REV | | REVISIONS | | | DATE | ECH | CHECKED |
|-----|-----|-----------|-----|--|---------|-----|---------|
| A | ALL | RELEASE | NEW | | 7/16/01 | NEW | RBS |



| OCC PART NO. | DESCRIPTION |
|--------------|---|
| SME806 | SURFACE MOUNT ENCL, 8 PORT, GRAY |
| SME801 | SURFACE MOUNT ENCL, 8 PORT, OFF. WHITE |
| SME800 | SURFACE MOUNT ENCL, 8 PORT, ELEC. IVORY |



| UNCONTROLLED COPY | |
|--|---|
| UNLESS OTHERWISE SPECIFIED DIMENSIONS ARE IN INCHES TOLERANCES: FRACTIONS: ±1/32" ANGLES: ±1/2° 3 PLACE DECIMALS: ±.005" 2 PLACE DECIMALS: ±.01 | THIS DRAWING AND THE DESIGN SHOWN ARE THE PROPERTY OF OPTICAL CABLE CORPORATION AND MAY NOT BE USED AS THE BASIS FOR MANUFACTURE OR SALE WITHOUT SPECIFIC WRITTEN PERMISSION OF OPTICAL CABLE CORPORATION |
| DRAWN BY: D.A.HOLBERT | DATE: 7/16/01 |
| CHECKED BY: R.B.SMITH | DATE: 12/21/01 |
| ENGINEER: J.YANIK | DATE: 7/16/01 |
| APPROVED: H.JOHNSON | DATE: 6/23/10 |
| PREVIOUS DWG: | |
| NEXT DWG: | |

| | | |
|------------------------|---|---------------|
| | 5290 Concourse Drive Roanoke, VA 24019 Phone: 800-822-7711 Fax: 840-268-0724 www.occfiber.com | |
| | DWG TITLE: SURFACE MOUNT ENCL, 8 PORT, MULTIMEDIA | |
| SIZE: C | DWG NO.: C104226 | REV: A |
| FILENAME: C104226A.DWG | SCALE: NONE | SHEET: 1 OF 1 |