

# SPECIFICATIONS

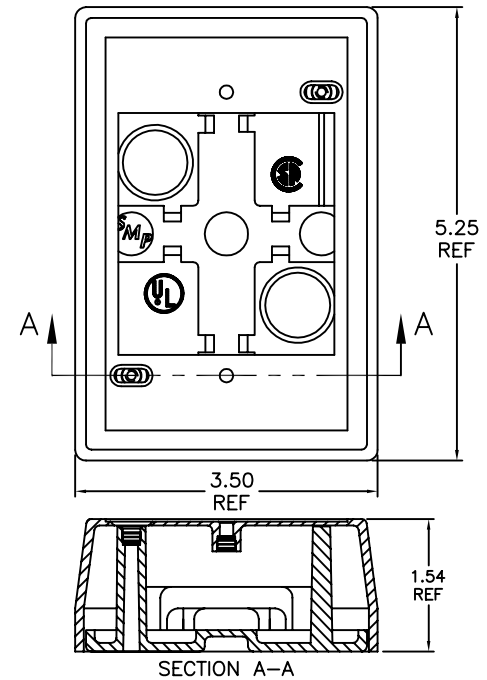
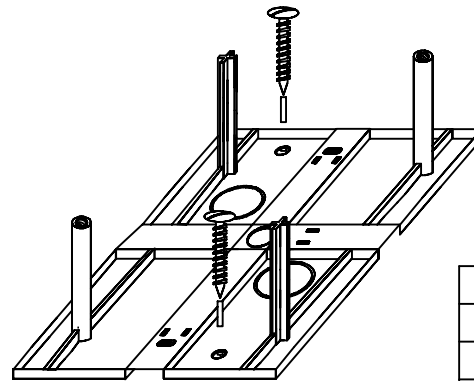
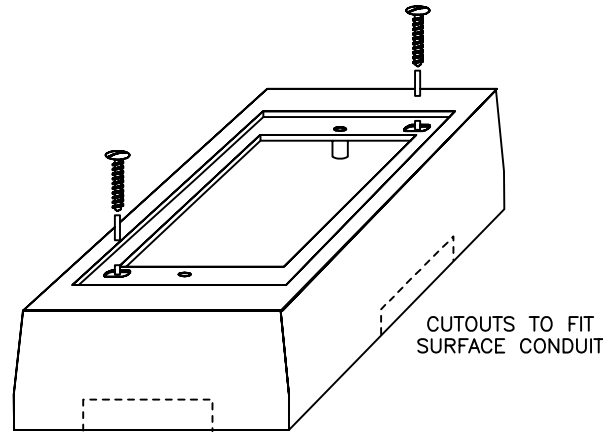
## FEATURES/MATERIALS:

- SURFACE MOUNT ENCLOSURES ARE CONSTRUCTED OF HIGH IMPACT SELF EXTINGUISHING, RATED 94V-0.
- ENCLOSURES WILL ACCOMMODATE ANY SINGLE-GANG FACEPLATE.

## CODE & COMPLIANCE:

- UL LISTED

REVISIONS				
REV	SHT	DESCRIPTION	DATE	CHECKED
A	ALL	RELEASE NEW	7/30/01	RBS
B	ALL	ADDED: NEW ASSEMBLY MSG02	8/15/02	DAH

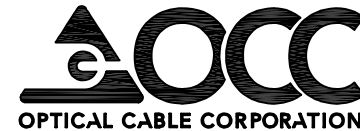


MSG07	SURFACE MOUNT ENCL, WHITE
MSG06	SURFACE MOUNT ENCL, GREY
MSG02	SURFACE MOUNT ENCL, BLACK
MSG01	SURFACE MOUNT ENCL, OFF. WHITE
MSG00	SURFACE MOUNT ENCL, ELEC. IVORY
OCC PART NO.	DESCRIPTION

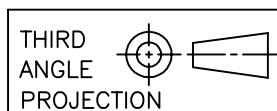
## UNCONTROLLED COPY

UNLESS OTHERWISE SPECIFIED DIMENSIONS ARE IN INCHES  
TOLERANCES:  
FRACTIONS  $\pm 1/32$ "  
ANGLES  $\pm 1/2$ "  
3 PLACE DECIMALS  $\pm .005$ "  
2 PLACE DECIMALS  $\pm .01$ "

THIS DRAWING AND THE DESIGN SHOWN ARE THE PROPERTY OF OPTICAL CABLE CORPORATION AND MAY NOT BE USED AS THE BASIS FOR MANUFACTURE OR SALE WITHOUT SPECIFIC WRITTEN PERMISSION OF OPTICAL CABLE CORPORATION.



5290 Concourse Drive  
Roanoke, VA 24019  
Phone: 800-622-7711  
Fax: 540-265-0724  
www.occfiber.com



MATERIAL CATEGORY: THERMOPLASTIC  
COLOR SPEC: SEE OCC DRAWING# 100004

DRAWN BY	D.A.HOLBERT	DATE	7/30/01
CHECKED BY	R.B.SMITH	DATE	12/15/01
ENGINEER	J.YANIK	DATE	7/30/01
APPROVED	H.JOHNSON	DATE	6/23/10
PREVIOUS DWG			
NEXT DWG			

DWG TITLE  
SURFACE MOUNT BOX,  
SINGLE-GANG

CRITICAL DIMENSION CODE  
ⓕ = FUNCTION  
Ⓜ = MATING  
Ⓐ = AUDIT

FINISH EXTERIOR: MT1055-5  
MED. EDM

SIZE  
A

DWG NO. C100400

REV  
B

FILENAME C100400B.DWG SCALE NONE SHEET 1 OF 1