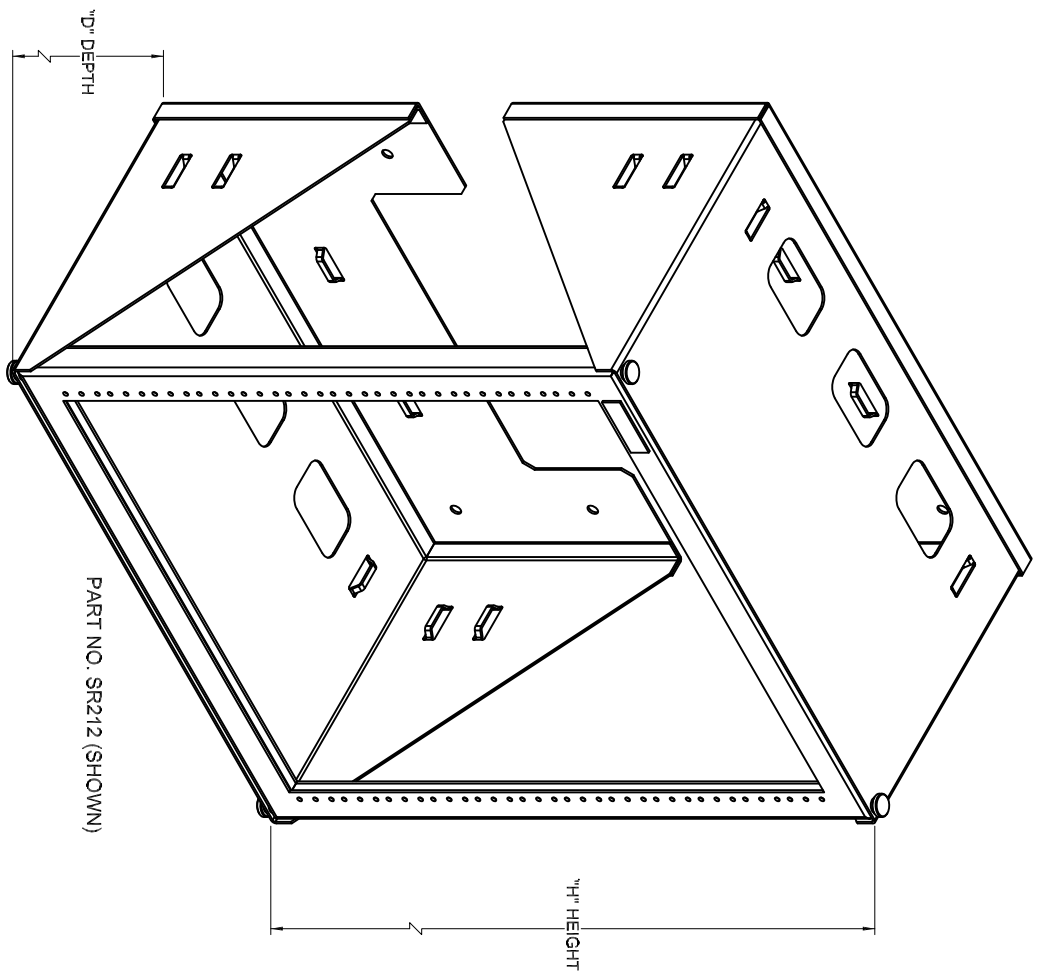


REV	DATE	EQ	DESC
A	11/14/09	NEW	JY
1	8/10/07	-	JY



PART NO. SR212 (SHOWN)

OCC PART NO.	DESCRIPTION
SR2518	SWING RACK, 19" WALL MOUNT, 30"H X 18"D, BLACK, 16RU
SR2.525	SWING RACK, 19" WALL MOUNT, 30"H X 25"D, BLACK, 16RU
SR2.512	SWING RACK, 19" WALL MOUNT, 30"H X 12"D, BLACK, 16RU
SR225	SWING RACK, 19" WALL MOUNT, 24"H X 25"D, BLACK, 12RU
SR218	SWING RACK, 19" WALL MOUNT, 24"H X 18"D, BLACK, 12RU
SR212	SWING RACK, 19" WALL MOUNT, 24"H X 12"D, BLACK, 12RU
SR325	SWING RACK, 19" WALL MOUNT, 36"H X 25"D, BLACK, 20RU
SR318	SWING RACK, 19" WALL MOUNT, 36"H X 18"D, BLACK, 20RU
SR312	SWING RACK, 19" WALL MOUNT, 36"H X 12"D, BLACK, 20RU
SR425	SWING RACK, 19" WALL MOUNT, 48"H X 25"D, BLACK, 25RU
SR418	SWING RACK, 19" WALL MOUNT, 48"H X 18"D, BLACK, 25RU
SR412	SWING RACK, 19" WALL MOUNT, 48"H X 12"D, BLACK, 25RU



THIRD ANGLE PROJECTION
 FINISH: PAINTED BLACK POWDERCOAT WRINKLE PER SMP 10002912
 1/4 GA. CSF (079 THK REFERENCE)
 UNLESS OTHERWISE SPECIFIED DIMENSIONS ARE IN INCHES, DECIMALS AND FRACTIONS UNLESS NOTED OTHERWISE.
 2" FACE DIMENSIONS = 50"
 3" FACE DIMENSIONS = 51"
 4" FACE DIMENSIONS = 52"
 5" FACE DIMENSIONS = 53"
 6" FACE DIMENSIONS = 54"
 7" FACE DIMENSIONS = 55"
 8" FACE DIMENSIONS = 56"
 9" FACE DIMENSIONS = 57"
 10" FACE DIMENSIONS = 58"
 11" FACE DIMENSIONS = 59"
 12" FACE DIMENSIONS = 60"

DATE	11/14/09	ENGINEER	JYANK
DATE	8/10/07	APPROVER	R.B. SMITH
DATE	11/14/05	DESIGNER	K. MORRELL
DATE	8/10/07	CHECKED	JYANK
DATE	8/10/07	APPROVED	R.B. SMITH
DATE	8/10/07	PREVIOUS DWG	
DATE	8/10/07	NEXT DWG	

AOC
 Aerial Observation Corporation
 5390 Contours Drive
 Roanoke, VA 24019
 Phone: 800-822-7711
 Fax: 540-285-0724
 www.aoccorp.com

DWG TITLE: SWING RACK
 19" WALL MOUNT
 SIZE: C
 DWG NO: C300144
 SCALE: NONE
 SHEET: 1 OF 1

NOTES: UNLESS OTHERWISE SPECIFIED,
 1. DIMENSIONS ARE IN ENGLISH MEASUREMENTS.

UNCONTROLLED COPY