

**APPLICATIONS:**

- ANALOG VOICE / VOIP / IPTV
- 10 / 100 / 1000 / 10GBASE-T ETHERNET
- IEEE 802.3 AF / AT PoE

**SPECIFICATIONS:**

- ANSI / TIA-568-C.2 CATEGORY 6A
- ANSI / TIA-968-A
- IEC 60603-7

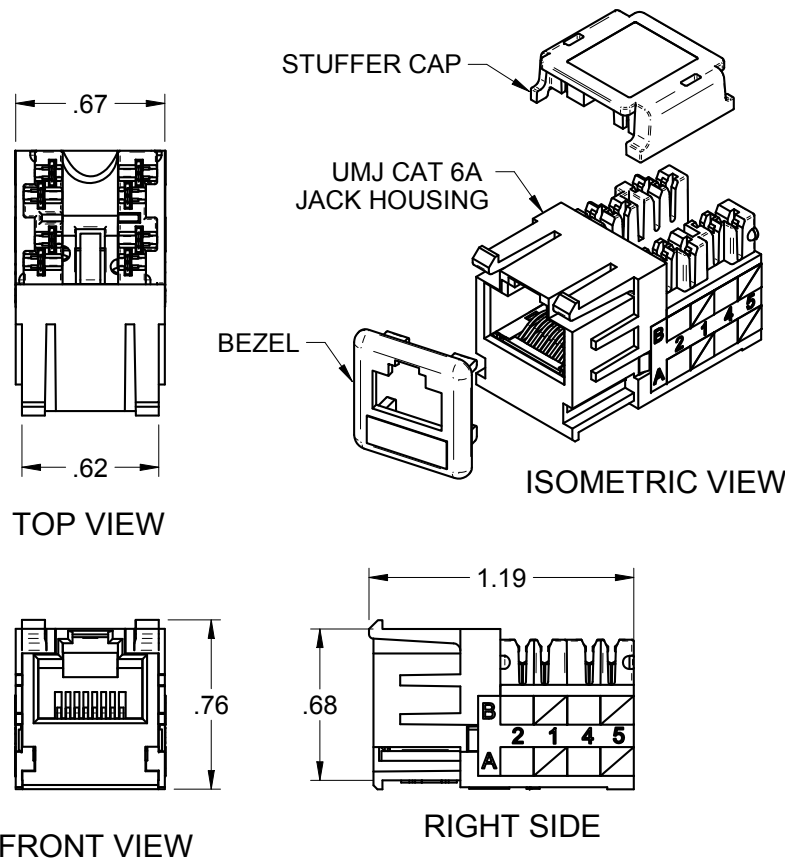
**MATERIALS:**

- JACK HOUSING: UL 94V-0 RATED THERMOPLASTIC MODULAR INTERFACE MATING CONTACT
- MATERIAL: BERYLLIUM COPPER
- PLATING: 50 MICRO-INCH (MIN) HARD GOLD OVER 100 MICRO-INCH (MIN) NICKEL OR APPROVED ALTERNATE PLATING PROCESS
- INSERTIONS / WITHDRAWALS: ≥750
- 110-STYLE IDC TERMINAL
- MATERIAL: PHOSPHOR BRONZE
- PLATING: 100 MICRO-INCH (MIN) MATTE TIN OVER 50 MICRO-INCH (MIN) NICKEL
- WIRE GAUGE RANGE: 22-26 AWG
- INSERTIONS / WITHDRAWALS: ≥200

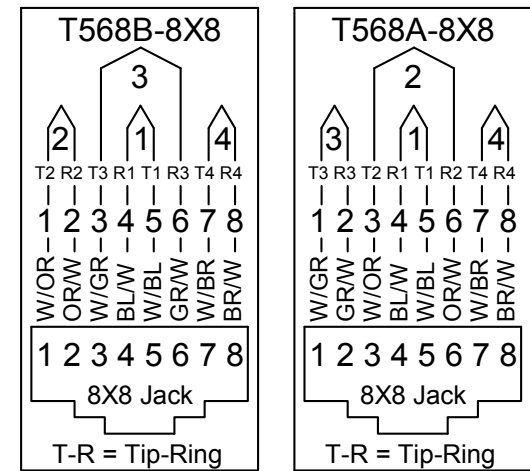
**CODE & COMPLIANCE:**

- UL LISTED
- CSA CERTIFIED
- E.U. RoHS DIRECTIVE 2002/95/EC COMPLIANT

"OPTICAL CABLE CORPORATION (OCC) RESERVES THE RIGHT TO REVISE ANY AND ALL DESIGN SPECIFICATIONS."



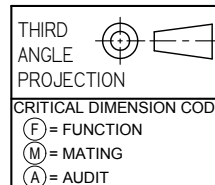
**8 POSITION MODULAR JACK**



**COLOR TABLE**

KMJ HOUSING "XX"	
ELEC. IVORY	00
OFFICE WHITE	01
BLACK	02
RED	03
GREEN	04
BLUE	05
GRAY	06
ORANGE	08
YELLOW	09
PURPLE	10
BROWN	11
BRT. WHITE	12

**UNCONTROLLED COPY**



UNLESS OTHERWISE SPECIFIED DIMENSIONS ARE IN INCHES. TOLERANCES: FRACTIONS ±1/32" ANGLES ±1/2° 3 PLACE DECIMALS ±.005" 2 PLACE DECIMALS ±.01"

MATERIAL SEE NOTES

FINISH SEE NOTES

CRITICAL DIMENSION CODE  
 (F) = FUNCTION  
 (M) = MATING  
 (A) = AUDIT

THIS DRAWING AND THE DESIGN SHOWN ARE THE PROPERTY OF OPTICAL CABLE CORPORATION AND MAY NOT BE USED AS THE BASIS FOR MANUFACTURE OR SALE WITHOUT SPECIFIC WRITTEN PERMISSION OF OPTICAL CABLE CORPORATION.	
DRAWN D.A.HOLBERT	DATE 12/4/06
CHECKED J.YANIK	DATE 4/19/07
ENGINEER S.SEO	DATE 12/4/06
APPROVED J.CALLOWAY	DATE 11/19/14
PREVIOUS DWG	
NEXT DWG	FILENAME C108044C.DFT

U6A"XX"		JACK, UMJ, CAT6A, BEZEL "COLOR", OCC	
OCC PART NO.		DESCRIPTION	
DRAWN D.A.HOLBERT		DATE 12/4/06	
CHECKED J.YANIK		DATE 4/19/07	
ENGINEER S.SEO		DATE 12/4/06	
APPROVED J.CALLOWAY		DATE 11/19/14	
PREVIOUS DWG			
NEXT DWG		FILENAME C108044C.DFT	
DWG TITLE		CUSTOMER DRAWING, JACK ASSY, UMJ, CAT 6A, OCC	
SIZE B	DWG NO. C108044	REV C	
SCALE: NONE	SHEET 1 OF 1		

**OCC**  
OPTICAL CABLE CORPORATION

33 Superior Way  
Swannanoa, NC 28778  
Phone: 828-298-2260  
Fax: 828-298-2487  
www.occfiber.com