

APPLICATIONS:

- ANALOG VOICE / VOIP / IPTV
- 10 / 100 / 1000 BASE-T ETHERNET
- IEEE 802.3 AF / AT PoE

SPECIFICATIONS:

- ANSI / TIA-568-C.2 CATEGORY 6
- ANSI / TIA-968-A
- IEC 60603-7

MATERIALS:

- JACK HOUSING: UL 94V-0 RATED THERMOPLASTIC MODULAR INTERFACE MATING CONTACT
- MATERIAL: BERYLLIUM COPPER
- PLATING: 50 MICRO-INCH (MIN) HARD GOLD OVER 100 MICRO-INCH (MIN) NICKEL OR APPROVED ALTERNATE PLATING PROCESS
- INSERTIONS / WITHDRAWALS: ≥750
- 110-STYLE IDC TERMINAL
- MATERIAL: PHOSPHOR BRONZE
- PLATING: 100 MICRO-INCH (MIN) MATTE TIN OVER 50 MICRO-INCH (MIN) NICKEL
- WIRE GAUGE RANGE: 22-26 AWG
- INSERTIONS / WITHDRAWALS: ≥200

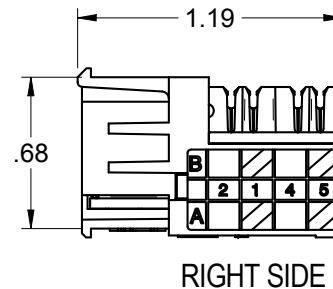
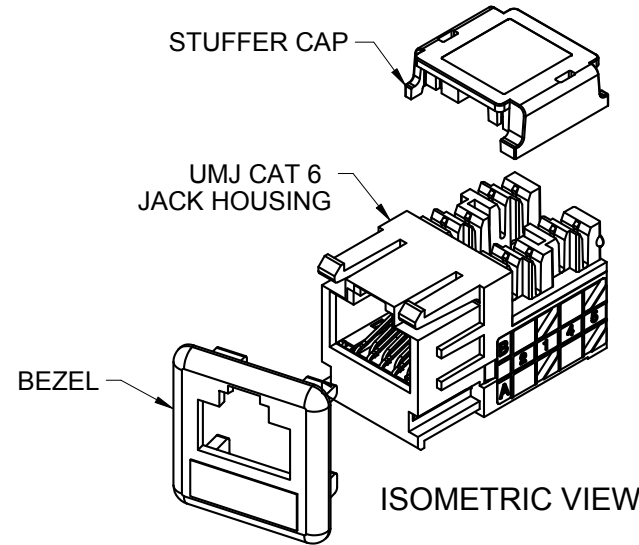
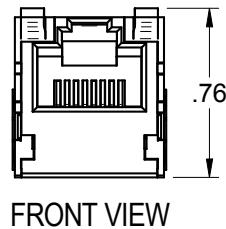
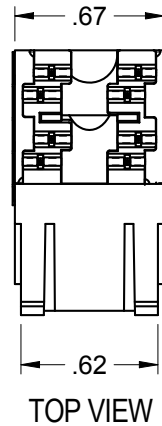
CODE & COMPLIANCE:

- UL LISTED
- CSA CERTIFIED
- E.U. RoHS DIRECTIVE 2002/95/EC COMPLIANT

COLOR TABLE

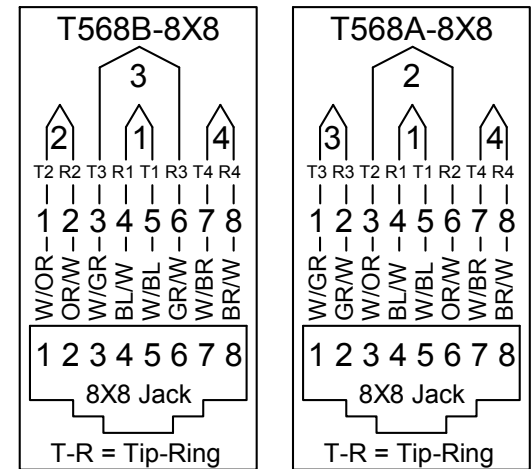
KMJ HOUSING	"XX"
ELEC. IVORY	00
OFFICE WHITE	01
BLACK	02
RED	03
GREEN	04
BLUE	05
GRAY	06
ORANGE	08
YELLOW	09
PURPLE	10
BROWN	11
BRT. WHITE	12

UNCONTROLLED COPY



"OPTICAL CABLE CORPORATION (OCC) RESERVES THE RIGHT TO REVISE ANY AND ALL DESIGN SPECIFICATIONS."

8 POSITION MODULAR JACK



UMJA6"XX"V	JACK, UMJ, CAT6, BEZEL, "COLOR", OCC, VOICE
UMJA6"XX"L	JACK, UMJ, CAT6, BEZEL, "COLOR", OCC, LAN
UMJA6"XX"D	JACK, UMJ, CAT6, BEZEL, "COLOR", OCC, DATA
UMJA6"XX"	JACK, UMJ, CAT6, BEZEL, "COLOR", OCC
UMJA6	JACK, UMJ, CAT6, NO BEZEL, OCC
OCC PART NO.	DESCRIPTION

THIRD ANGLE PROJECTION 	UNLESS OTHERWISE SPECIFIED DIMENSIONS ARE IN INCHES. TOLERANCES: FRACTIONS ±1/32" ANGLES ±1/2° 3 PLACE DECIMALS ±.005" 2 PLACE DECIMALS ±.01"	THIS DRAWING AND THE DESIGN SHOWN ARE THE PROPERTY OF OPTICAL CABLE CORPORATION AND MAY NOT BE USED AS THE BASIS FOR MANUFACTURE OR SALE WITHOUT SPECIFIC WRITTEN PERMISSION OF OPTICAL CABLE CORPORATION.		33 Superior Way Swannanoa, NC 28778 Phone: 828-298-2260 Fax: 828-298-2487 www.occfiber.com
	MATERIAL SEE NOTES	DRAWN D.A.HOLBERT DATE 5/23/02 CHECKED J.YANIK DATE 3/22/05 ENGINEER S.SEO DATE 5/23/02 APPROVED J.CALLOWAY DATE 11/19/14 PREVIOUS DWG NEXT DWG	DWG TITLE CUSTOMER DRAWING, JACK ASSY, UMJ, CAT 6, OCC	
CRITICAL DIMENSION CODE (F) = FUNCTION (M) = MATING (A) = AUDIT	FINISH SEE NOTES	SIZE B	DWG NO. C105361	REV H
		FILENAME C105361H.DFT	SCALE: NONE	SHEET 1 OF 1