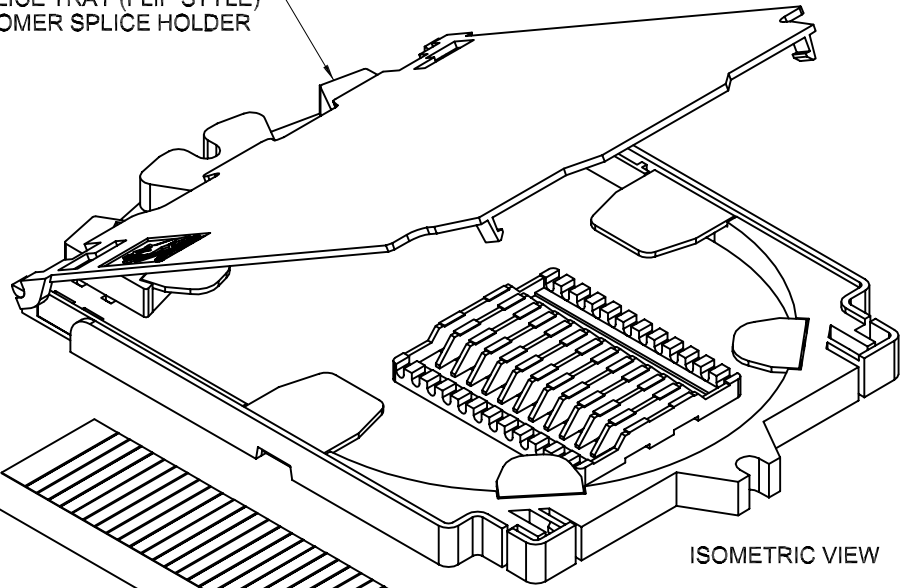
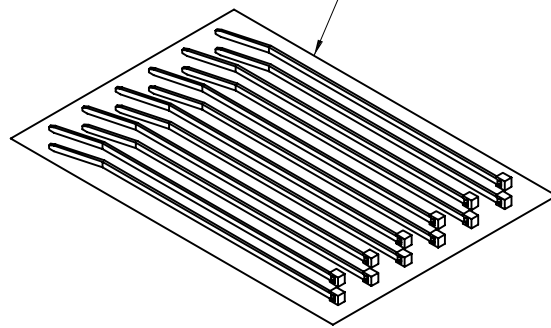


REVISION HISTORY				
REV	SHT	DESCRIPTION	DATE	CHECKED
A	ALL	RELEASE NEW	4/22/08	JFM

CABLE TIES, PACK OF 12,  
(QTY 1 PACK)

RUNT SPLICE TRAY (FLIP STYLE)  
W/ELASTOMER SPLICE HOLDER

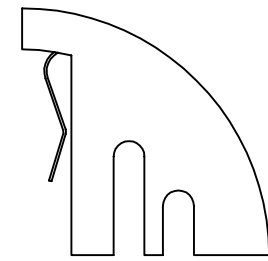
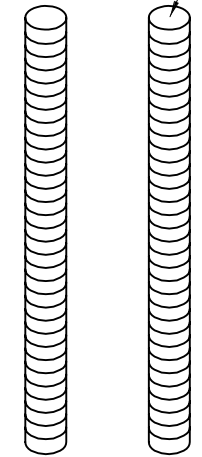


ISOMETRIC VIEW

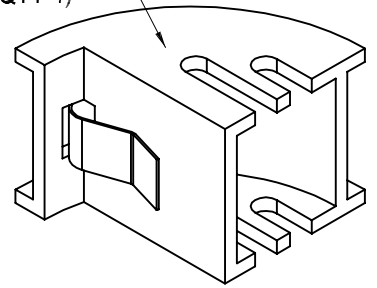
FELT STRIP, FOR  
BUFFER TUBING,  
(QTY 2)

STUD, #1/4-20 X 3-5/32",  
THREADED (QTY 2)

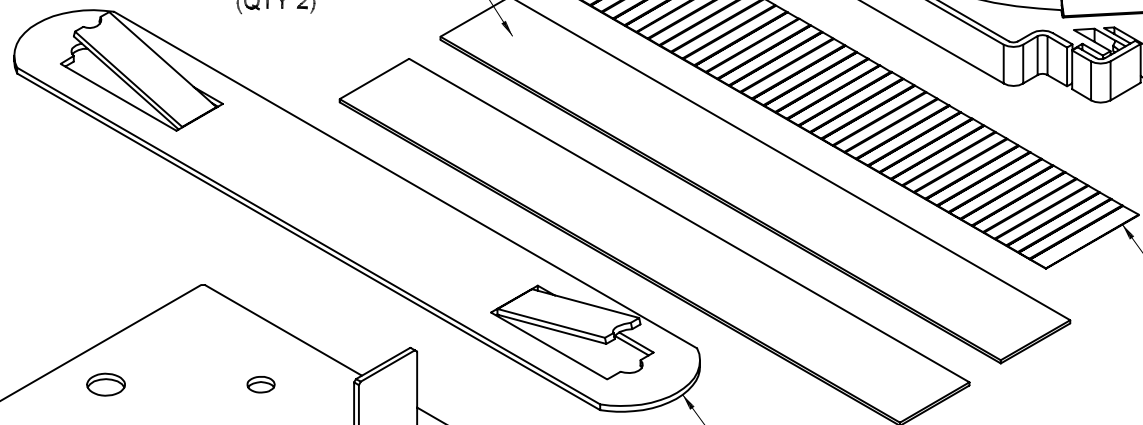
HOOP, 1/4 FIBER, RCM,  
1.00" BLACK, (QTY 4)



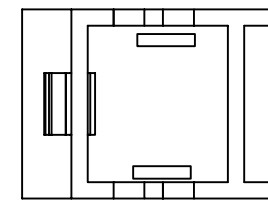
TOP VIEW



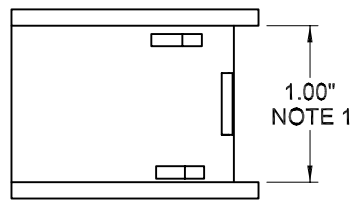
ISOMETRIC VIEW



RECORDING LABEL  
(QTY 1)



FRONT VIEW



RIGHT SIDE

1.00"  
NOTE 1

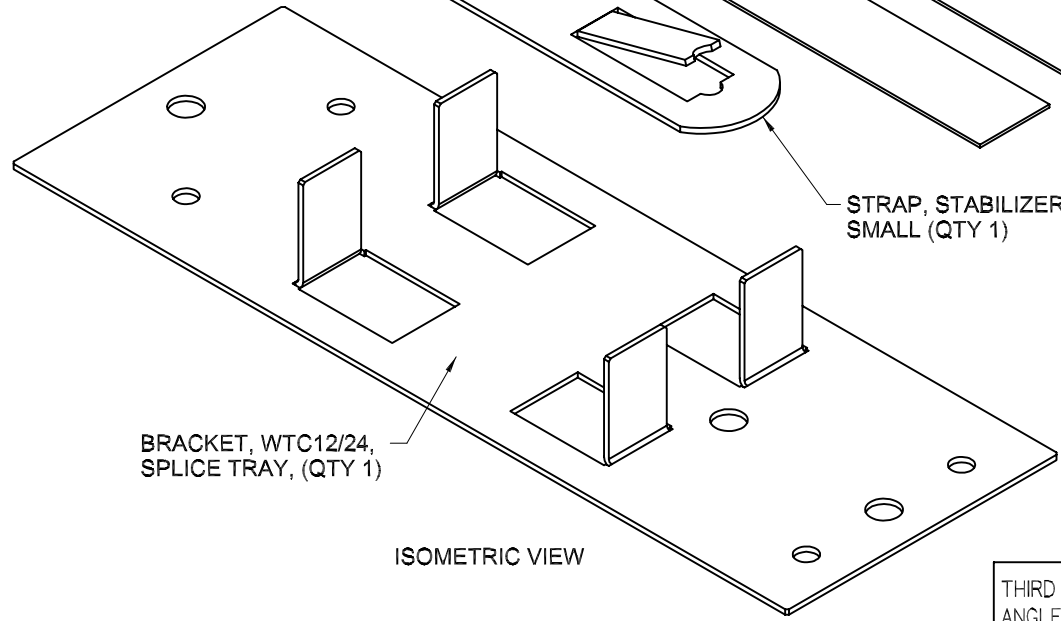
STRAP, STABILIZER,  
SMALL (QTY 1)



NUT, #1/4-20, (QTY 2)  
ZINC PLATED



NUT, #8-32, (QTY 4)  
SERRATED FLANGE



BRACKET, WTC12/24,  
SPLICE TRAY, (QTY 1)

ISOMETRIC VIEW

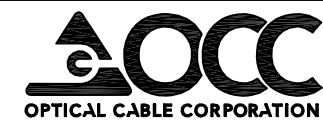
NOTES: UNLESS OTHERWISE SPECIFIED.  
1. DRUM HEIGHT IS MEASURED INSIDE OF FLANGES.

W12RT	KIT, SPLICE, BRACKET & RUNT TRAY, WTC12/24
OCC PART NO.	DESCRIPTION

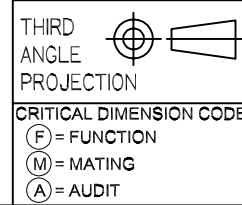
**UNCONTROLLED COPY**

UNLESS OTHERWISE SPECIFIED  
DIMENSIONS ARE IN INCHES.  
TOLERANCES: FRACTIONS ±1/32"  
ANGLES ±1/2°  
3 PLACE DECIMALS ±.005"  
2 PLACE DECIMALS ±.01"

THIS DRAWING AND THE DESIGN SHOWN ARE THE  
PROPERTY OF OPTICAL CABLE CORPORATION AND  
MAY NOT BE USED AS THE BASIS FOR MANU-  
FACTURE OR SALE WITHOUT SPECIFIC WRITTEN  
PERMISSION OF OPTICAL CABLE CORPORATION.



5290 Concourse Drive  
Roanoke, VA 24019  
Phone: 800-622-7711  
Fax: 540-265-0724  
www.occfiber.com



MATERIAL  
SEE BILL OF MATERIAL

FINISH  
SEE NOTES

DRAWN	J.YANIK	DATE	4/22/08
CHECKED	J.MALTAIS	DATE	4/22/08
ENGINEER	J.YANIK	DATE	4/22/08
APPROVED	R.B.SMITH	DATE	5/20/08
PREVIOUS DWG			
NEXT DWG			

DWG TITLE			
CUSTOMER DRAWING, SPLICE KIT, W12RT, WALL MOUNT			
SIZE	DWG NO.	REV	
B	C108765	A	
SCALE:	NONE	SHEET	1 OF 1
FILENAME	C108765A.DFT		