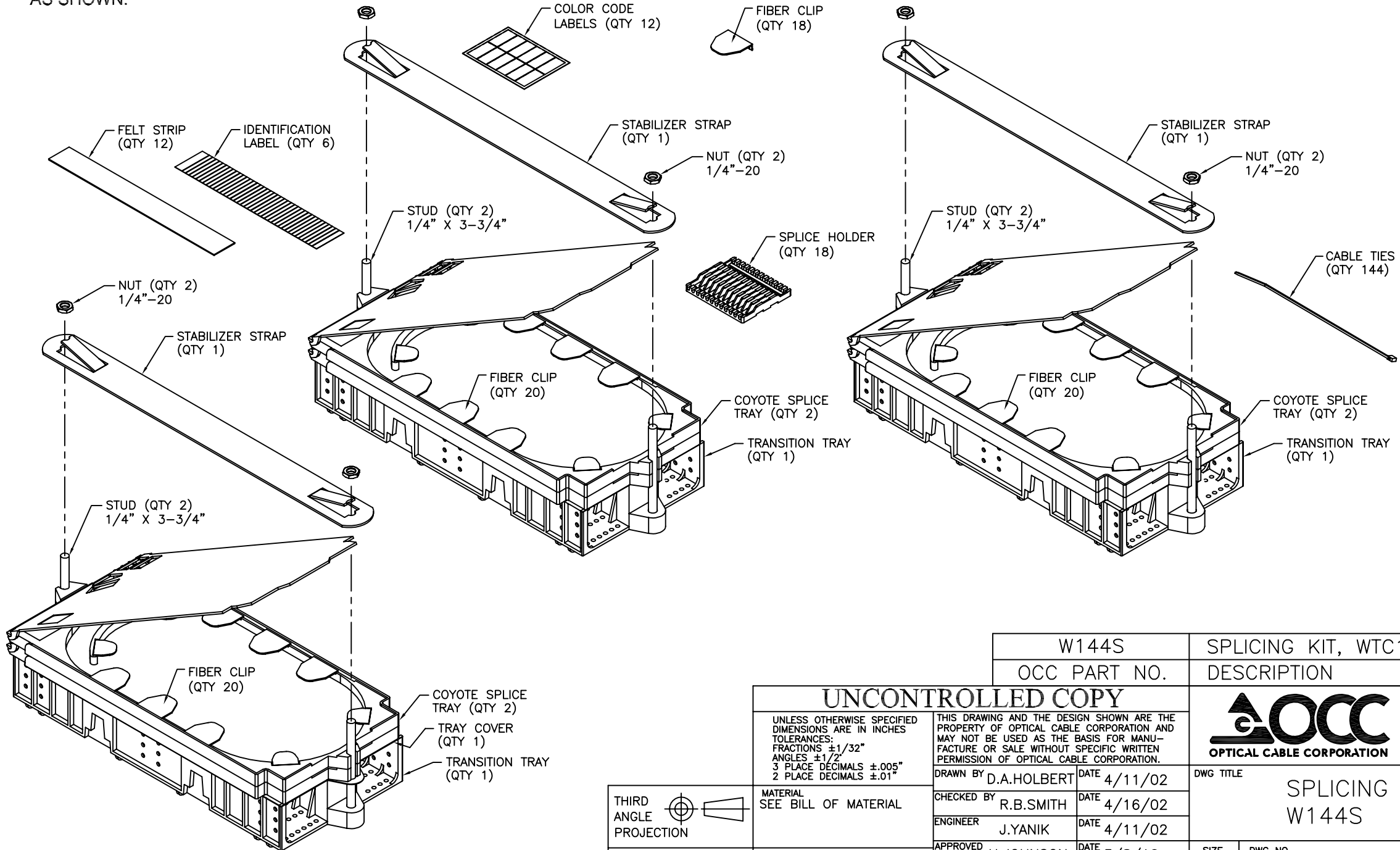


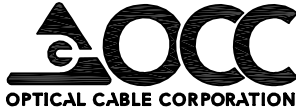
NOTES: UNLESS OTHERWISE SPECIFIED.

1. SPLICE TRAY SUPPLIED WITH PARTS, AS SHOWN.

		REVISIONS			
REV	SHT	DESCRIPTION	DATE	ECN	CHECKED
A	ALL	RELEASE NEW	4/11/02	NEW	RBS
B	-	UPDATED: DRAWING VIEWS	4/17/03	-	DAH



W144S	SPLICING KIT, WTC144
OCC PART NO.	DESCRIPTION

UNCONTROLLED COPY		 5290 Concourse Drive Roanoke, VA 24019 Phone: 800-622-7711 Fax: 540-265-0724 www.occfiber.com	
UNLESS OTHERWISE SPECIFIED DIMENSIONS ARE IN INCHES TOLERANCES: FRACTIONS ±1/32" ANGLES ±1/2° 3 PLACE DECIMALS ±.005" 2 PLACE DECIMALS ±.01"	THIS DRAWING AND THE DESIGN SHOWN ARE THE PROPERTY OF OPTICAL CABLE CORPORATION AND MAY NOT BE USED AS THE BASIS FOR MANU- FACTURE OR SALE WITHOUT SPECIFIC WRITTEN PERMISSION OF OPTICAL CABLE CORPORATION.		
DRAWN BY D.A.HOLBERT CHECKED BY R.B.SMITH ENGINEER J.YANIK APPROVED H.JOHNSON PREVIOUS DWG NEXT DWG	DATE 4/11/02 DATE 4/16/02 DATE 4/11/02 DATE 3/8/10	DWG TITLE SPLICING KIT, W144S	SIZE B
MATERIAL SEE BILL OF MATERIAL	FINISH SEE NOTES	DWG NO. C10124302	REV B
THIRD ANGLE PROJECTION		FILENAME C10124302B.DWG	SCALE NONE
CRITICAL DIMENSION CODE (F) = FUNCTION (M) = MATING (A) = AUDIT		SHEET 1 OF 1	