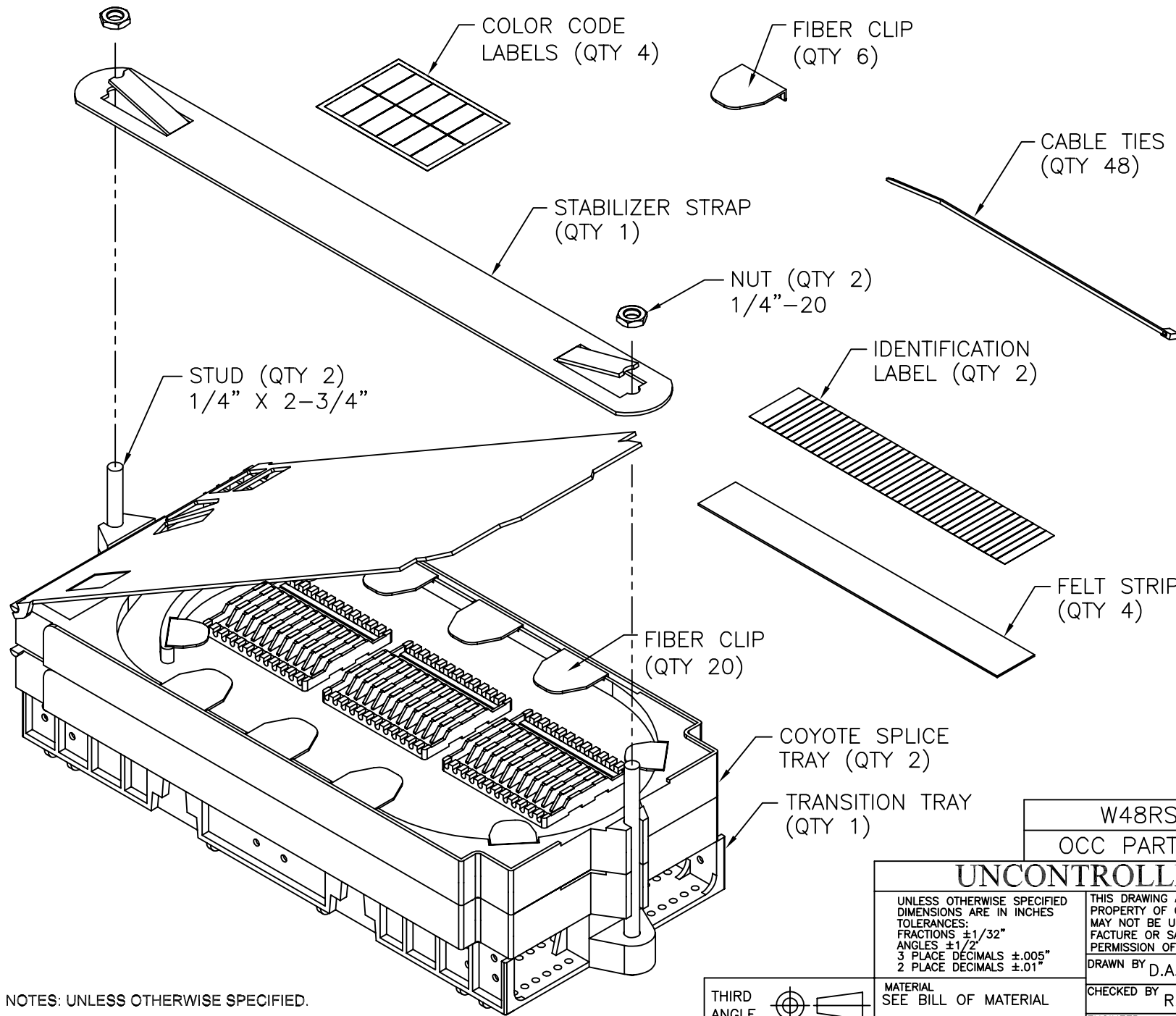
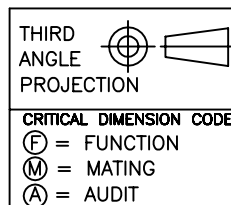
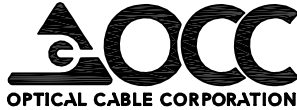


REVISIONS				
REV	SHT	DESCRIPTION	DATE	CHECKED
A	ALL	RELEASE NEW	6/1/04	RBS



NOTES: UNLESS OTHERWISE SPECIFIED.
 1. SPLICE TRAY SUPPLIED WITH PARTS, AS SHOWN.



W48RS		SPLICING KIT, W48S, RIBBON FIBER		
OCC PART NO.		DESCRIPTION		
UNCONTROLLED COPY				
UNLESS OTHERWISE SPECIFIED DIMENSIONS ARE IN INCHES TOLERANCES: FRACTIONS ±1/32" ANGLES ±1/2" 3 PLACE DECIMALS ±.005" 2 PLACE DECIMALS ±.01"		THIS DRAWING AND THE DESIGN SHOWN ARE THE PROPERTY OF OPTICAL CABLE CORPORATION AND MAY NOT BE USED AS THE BASIS FOR MANUFACTURE OR SALE WITHOUT SPECIFIC WRITTEN PERMISSION OF OPTICAL CABLE CORPORATION.		 5290 Concourse Drive Roanoke, VA 24019 Phone: 800-622-7711 Fax: 540-265-0724 www.occfiber.com
MATERIAL SEE BILL OF MATERIAL		DRAWN BY D.A.HOLBERT CHECKED BY R.B.SMITH ENGINEER J.YANIK APPROVED H.JOHNSON PREVIOUS DWG NEXT DWG	DATE 6/1/04 DATE 6/2/04 DATE 6/1/04 DATE 3/8/10	
FINISH SEE NOTES		SIZE B	DWG NO. C10675001	REV A
		FILENAME C10675001A.DWG	SCALE NONE	SHEET 1 OF 1