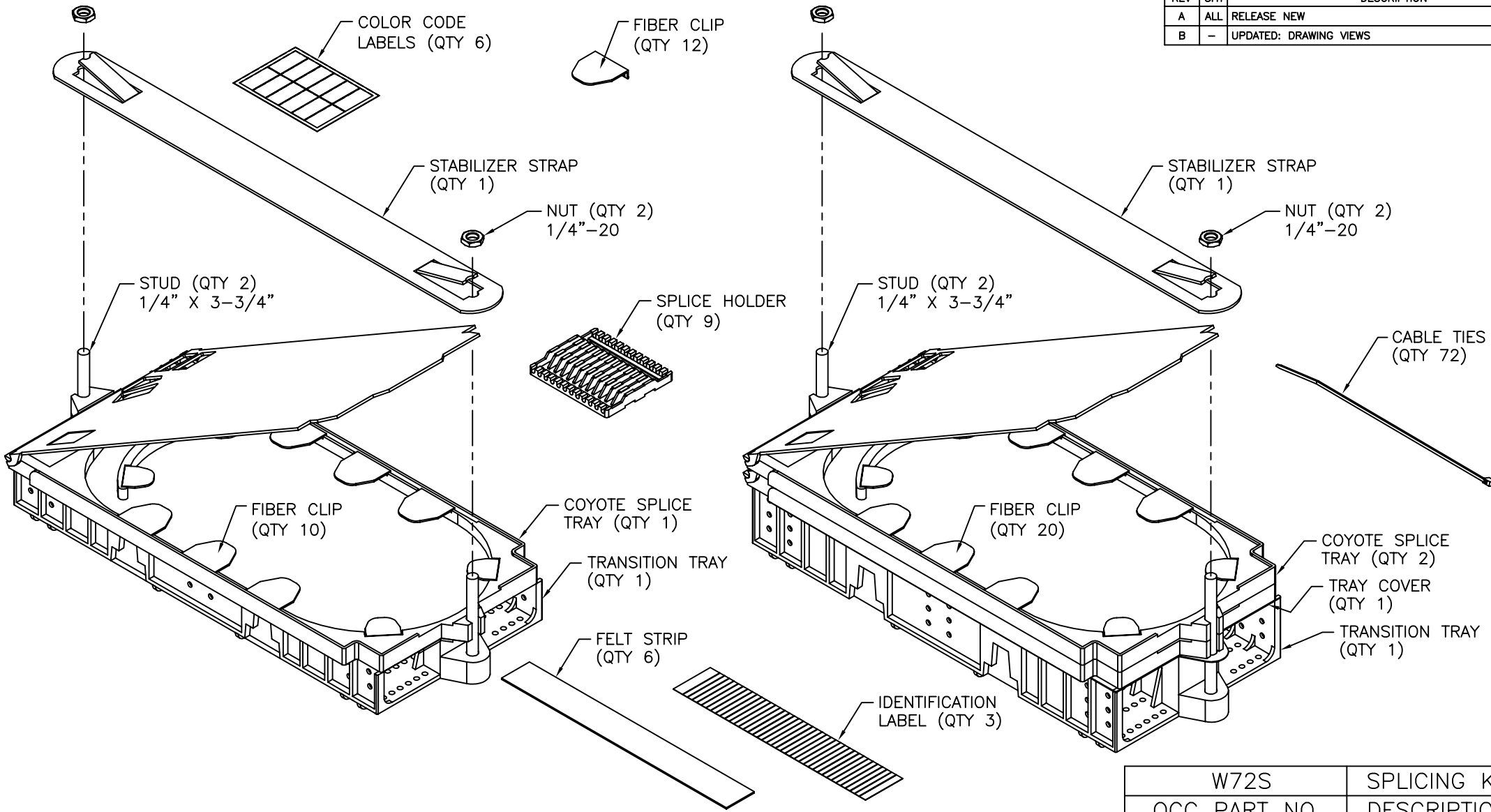


		REVISIONS			DATE	ECN	CHECKED
REV	SHT	DESCRIPTION					
A	ALL	RELEASE NEW			4/11/02	NEW	RBS
B	-	UPDATED: DRAWING VIEWS			4/17/03	-	DAH



W72S	SPLICING KIT, WTC72
OCC PART NO.	DESCRIPTION

UNCONTROLLED COPY	
UNLESS OTHERWISE SPECIFIED DIMENSIONS ARE IN INCHES TOLERANCES: FRACTIONS ±1/32" ANGLES ±1/2" 3 PLACE DECIMALS ±.005" 2 PLACE DECIMALS ±.01"	THIS DRAWING AND THE DESIGN SHOWN ARE THE PROPERTY OF OPTICAL CABLE CORPORATION AND MAY NOT BE USED AS THE BASIS FOR MANUFACTURE OR SALE WITHOUT SPECIFIC WRITTEN PERMISSION OF OPTICAL CABLE CORPORATION.
DRAWN BY D.A.HOLBERT	DATE 4/11/02
CHECKED BY R.B.SMITH	DATE 4/16/02
ENGINEER J.YANIK	DATE 4/11/02
APPROVED H.JOHNSON	DATE 3/8/10
PREVIOUS DWG	
NEXT DWG	

OCC
OPTICAL CABLE CORPORATION

5290 Concourse Drive
Roanoke, VA 24019
Phone: 800-622-7711
Fax: 540-265-0724
www.occfiber.com

DWG TITLE		SPLICING KIT, W72S	
SIZE	DWG NO.	REV	
B	C10124202	B	
SCALE	SHEET	1 OF 1	
NONE			

NOTES: UNLESS OTHERWISE SPECIFIED.
1. SPLICE TRAY SUPPLIED WITH PARTS, AS SHOWN.

THIRD ANGLE PROJECTION

CRITICAL DIMENSION CODE
 (F) = FUNCTION
 (M) = MATING
 (A) = AUDIT

MATERIAL	SEE BILL OF MATERIAL
FINISH	SEE NOTES