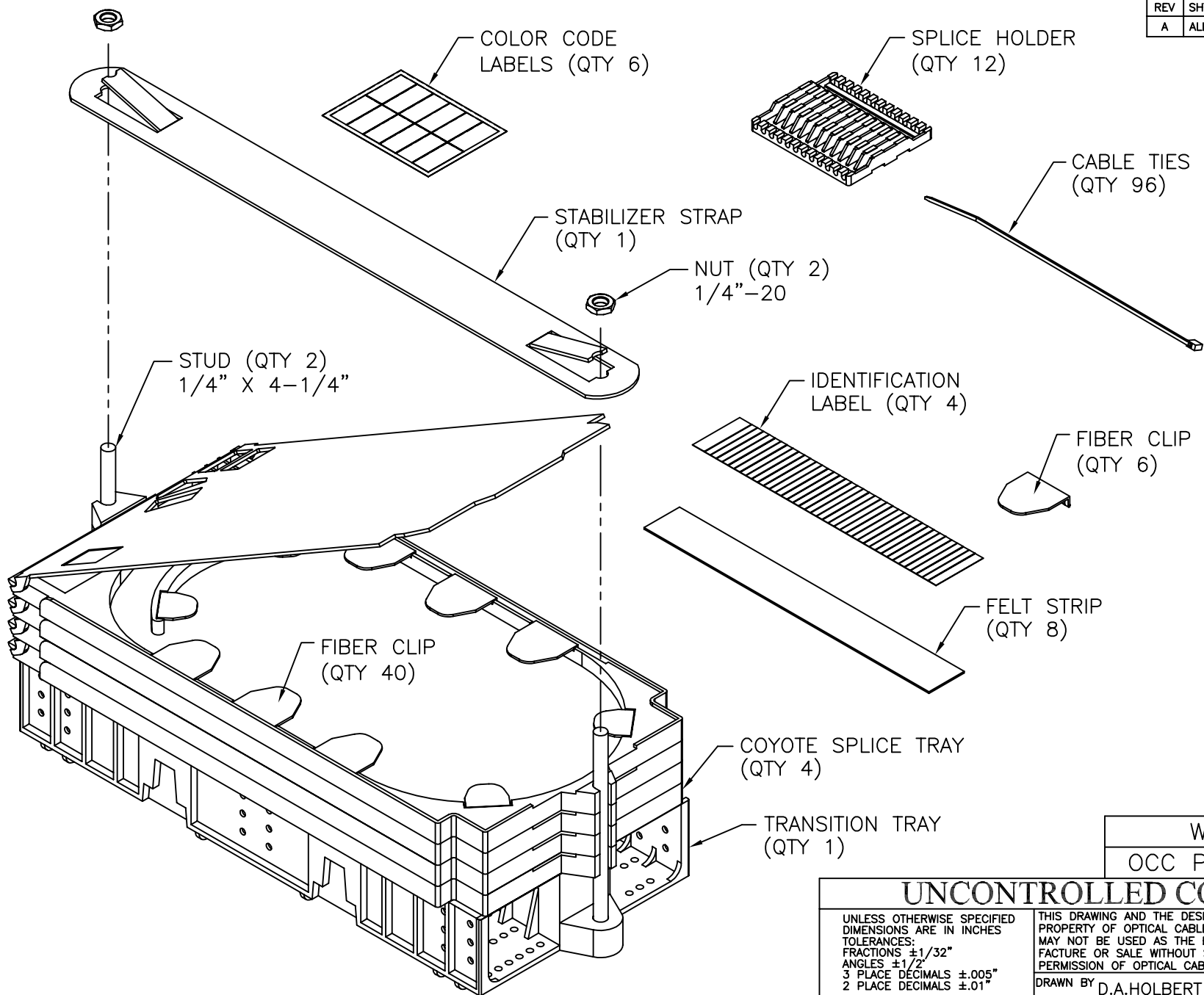
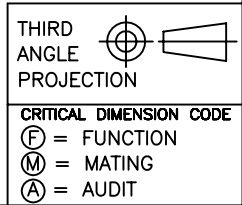


REV		SHT		DESCRIPTION	DATE	ECN	CHECKED
A	ALL	RELEASE	NEW		8/7/03	NEW	RBS



NOTES: UNLESS OTHERWISE SPECIFIED.
 1. SPLICE TRAY SUPPLIED WITH PARTS, AS SHOWN.



UNCONTROLLED COPY	
UNLESS OTHERWISE SPECIFIED DIMENSIONS ARE IN INCHES TOLERANCES: FRACTIONS ±1/32" ANGLES ±1/2" 3 PLACE DECIMALS ±.005" 2 PLACE DECIMALS ±.01"	THIS DRAWING AND THE DESIGN SHOWN ARE THE PROPERTY OF OPTICAL CABLE CORPORATION AND MAY NOT BE USED AS THE BASIS FOR MANUFACTURE OR SALE WITHOUT SPECIFIC WRITTEN PERMISSION OF OPTICAL CABLE CORPORATION.
MATERIAL SEE BILL OF MATERIAL	FINISH SEE NOTES
DRAWN BY D.A.HOLBERT	DATE 8/7/03
CHECKED BY R.B.SMITH	DATE 8/7/03
ENGINEER J.YANIK	DATE 8/7/03
APPROVED H.JOHNSON	DATE 3/8/10
PREVIOUS DWG	
NEXT DWG	FILENAME C10623401A.DWG

W96S	SPLICING KIT, W96S
OCC PART NO.	DESCRIPTION
OCC OPTICAL CABLE CORPORATION	
5290 Concourse Drive Roanoke, VA 24019 Phone: 800-622-7711 Fax: 540-265-0724 www.occfiber.com	
DWG TITLE SPLICING KIT, W96S	
SIZE B	DWG NO. C10623401
REV A	
SCALE NONE	SHEET 1 OF 1