

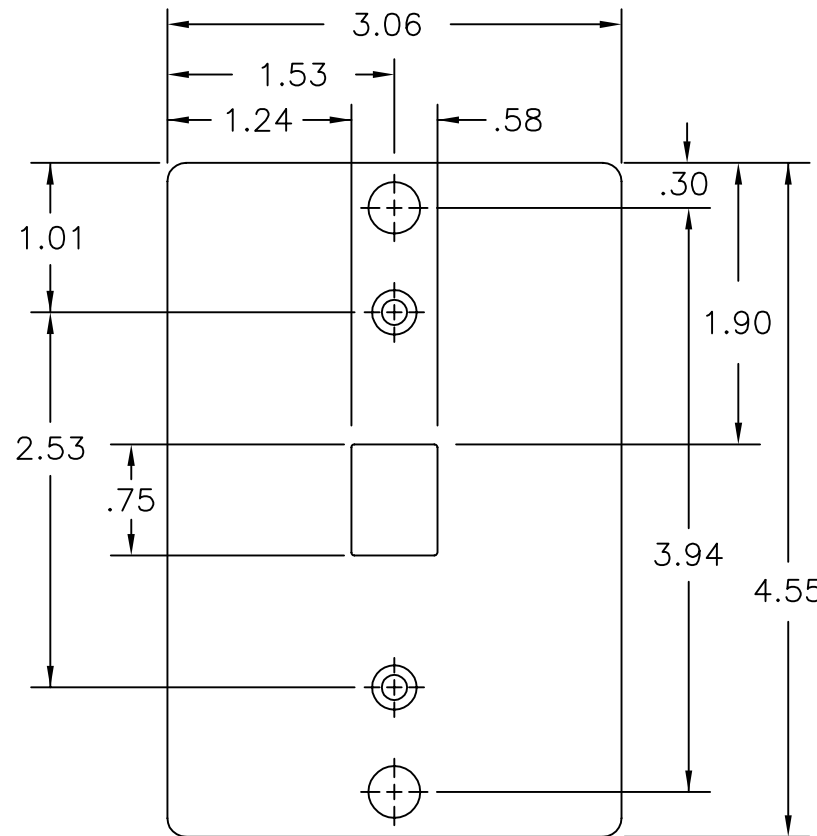
SPECIFICATIONS

FEATURES/MATERIALS:

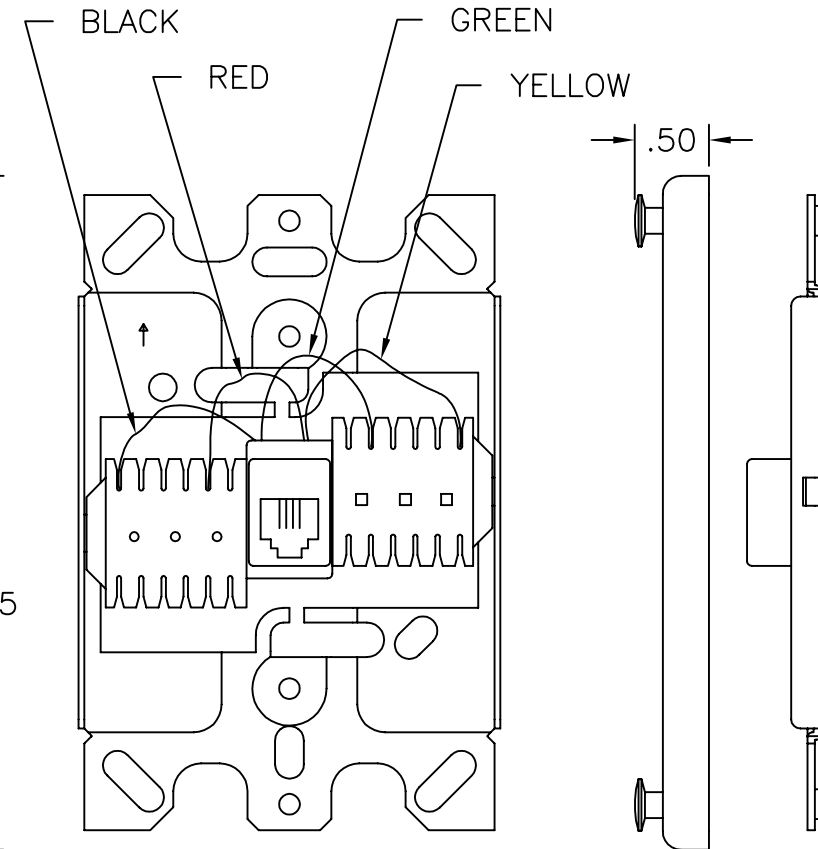
- SINGLE GANG FACEPLATES PROVIDE A COST-EFFECTIVE MOUNTING FOR THE AXCESS SERIES OF UTP JACKS AND MULTI-APPLICATION ADAPTERS.
- CUSTOM BEZELS ARE AVAILABLE IN A WIDE VARIETY OF COLORS AND ICONS TO PROVIDE VERSATILE PORT DESIGNATION.
- FACEPLATES, JACKS, AND BEZELS ARE CONSTRUCTED OF HIGH IMPACT, SELF-EXTINGUISHING PLASTIC UL LISTED RATING 94V-0

CODE & COMPLIANCE:

- UL LISTED.



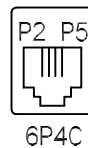
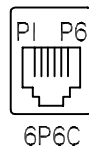
FRONT VIEW



INTERNAL BRKT

SIDE VIEW

3	YELLOW	P5
5	BLUE	P6
1	GREEN	P4
2	RED	P3
6	WHITE	P1
4	BLACK	P2
LOCATION	COLOR	LOCATION



CRITICAL DIMENSION CODE
 (F) = FUNCTION
 (M) = MATING
 (A) = AUDIT

UNCONTROLLED COPY

UNLESS OTHERWISE SPECIFIED DIMENSIONS ARE IN INCHES
 TOLERANCES:
 FRACTIONS ±1/32"
 ANGLES ±1/2"
 3 PLACE DECIMALS ±.005"
 2 PLACE DECIMALS ±.01"

MATERIAL CATEGORY: THERMOPLASTIC OR STAINLESS STEEL
 UL LISTED RATING 94V-0

FINISH SEE NOTES

THIS DRAWING AND THE DESIGN SHOWN ARE THE PROPERTY OF OPTICAL CABLE CORPORATION AND MAY NOT BE USED AS THE BASIS FOR MANUFACTURE OR SALE WITHOUT SPECIFIC WRITTEN PERMISSION OF OPTICAL CABLE CORPORATION.

DRAWN BY D.A.HOLBERT DATE 2/10/02
 CHECKED BY R.B.SMITH DATE 3/8/02
 ENGINEER J.YANIK DATE 2/10/02
 APPROVED H.JOHNSON DATE 7/1/10

PREVIOUS DWG
 NEXT DWG

FILENAME C103383A.DWG

WPSS	JACK, WALLPHONE, 6 POS, 4 COND, SS
WP01	JACK, WALLPHONE, 6 POS, 4 COND, WHITE
OCC PART NO.	DESCRIPTION



5290 Concourse Drive
 Roanoke, VA 24019
 Phone: 800-622-7711
 Fax: 540-265-0724
 www.occfiber.com

DWG TITLE
**WALL PLATE ASSEMBLY,
 6 POS, 4 COND JACK**

SIZE B	DWG NO. C103383	REV A
SCALE NONE	SHEET 1 OF 1	