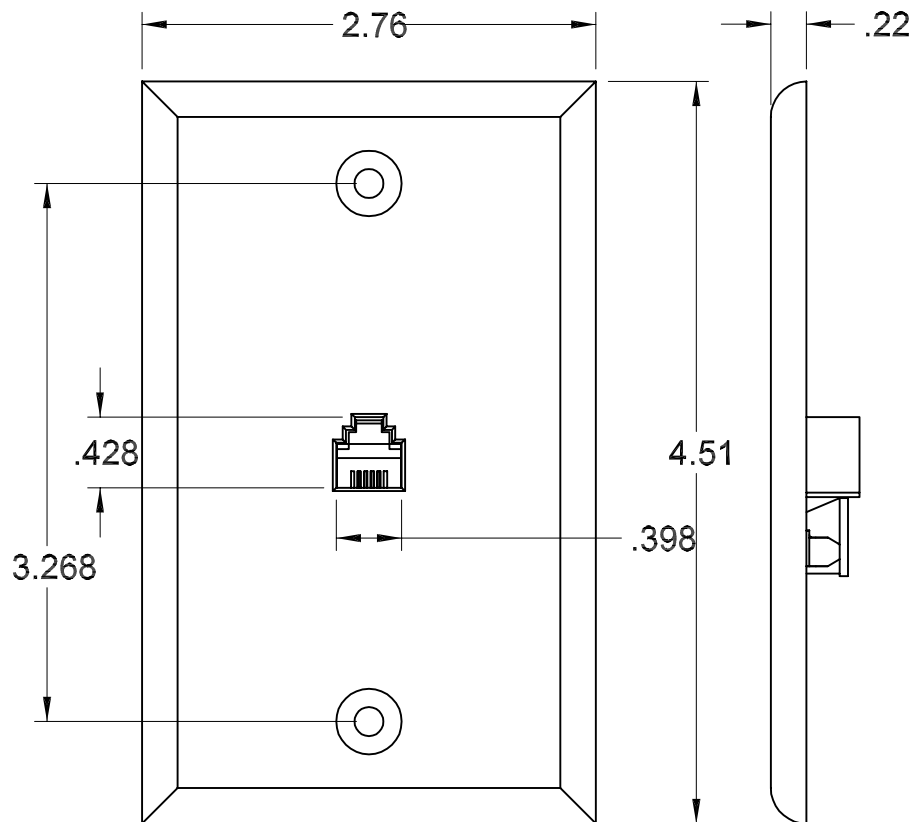
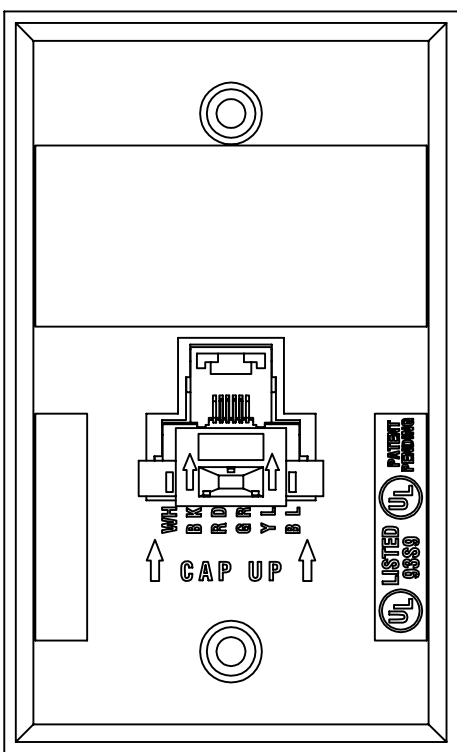


REV		SHT	DESCRIPTION	DATE	ECN	CHECKED
A	ALL		RELEASE NEW	2/4/05	NEW	JS

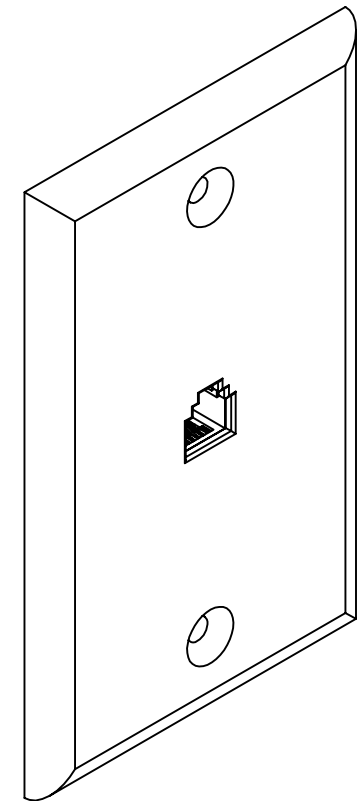


FRONT VIEW

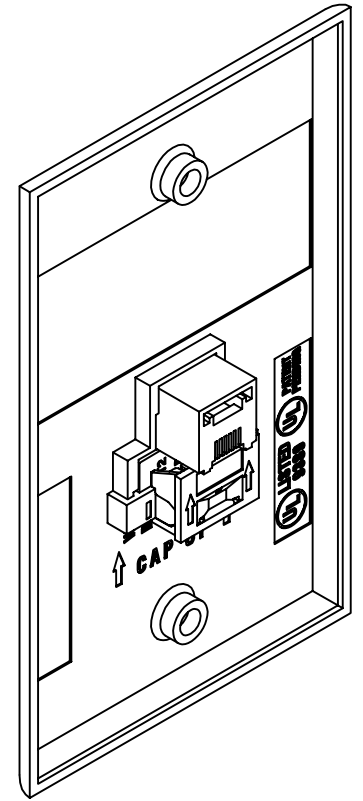
RIGHT SIDE



REAR VIEW



FRONT VIEW

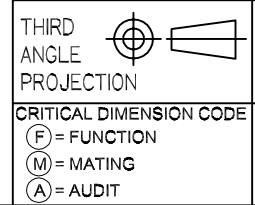


REAR VIEW

NOTES: UNLESS OTHERWISE SPECIFIED.

1. FACEPLATE ASSEMBLIES ARE PROVIDED WITH (1 each) HARDWARE KIT.

**UNCONTROLLED COPY**



WP1V12	ASSY, FACEPLATE, MOLDED, 1 VOICE, BRIGHT WHITE, RESIDENTIAL
WP1V01	ASSY, FACEPLATE, MOLDED, 1 VOICE, OFFICE WHITE, RESIDENTIAL
WP1V00	ASSY, FACEPLATE, MOLDED, 1 VOICE, ELEC. IVORY, RESIDENTIAL
OCC PART NO.	DESCRIPTION

UNCONTROLLED COPY	
UNLESS OTHERWISE SPECIFIED DIMENSIONS ARE IN INCHES. TOLERANCES: FRACTIONS ±1/32" ANGLES ±1/2° 3 PLACE DECIMALS ±.005" 2 PLACE DECIMALS ±.01"	THIS DRAWING AND THE DESIGN SHOWN ARE THE PROPERTY OF OPTICAL CABLE CORPORATION AND MAY NOT BE USED AS THE BASIS FOR MANUFACTURE OR SALE WITHOUT SPECIFIC WRITTEN PERMISSION OF OPTICAL CABLE CORPORATION.
MATERIAL SEE BILL OF MATERIAL	FINISH SEE NOTES; FOR COLOR SEE OCC SPEC# 100004
DRAWN E.WETLI	DATE 2/4/05
CHECKED J.SHERRILL	DATE 2/7/05
ENGINEER J.YANIK	DATE 2/4/05
APPROVED J.HOWE	DATE 2/7/05
PREVIOUS DWG	
NEXT DWG	FILENAME C107175A.dft

5290 Concourse Drive  
 Roanoke, VA 24019  
 Phone: 800-622-7711  
 Fax: 540-265-0724  
 www.occfiber.com

DWG TITLE		CUSTOMER DRAWING, FACEPLATE ASSY, 1 VOICE, MOLDED, RESIDENTIAL	
SIZE	DWG NO.	REV	
B	C107175	A	
SCALE:	NONE	SHEET	1 OF 1