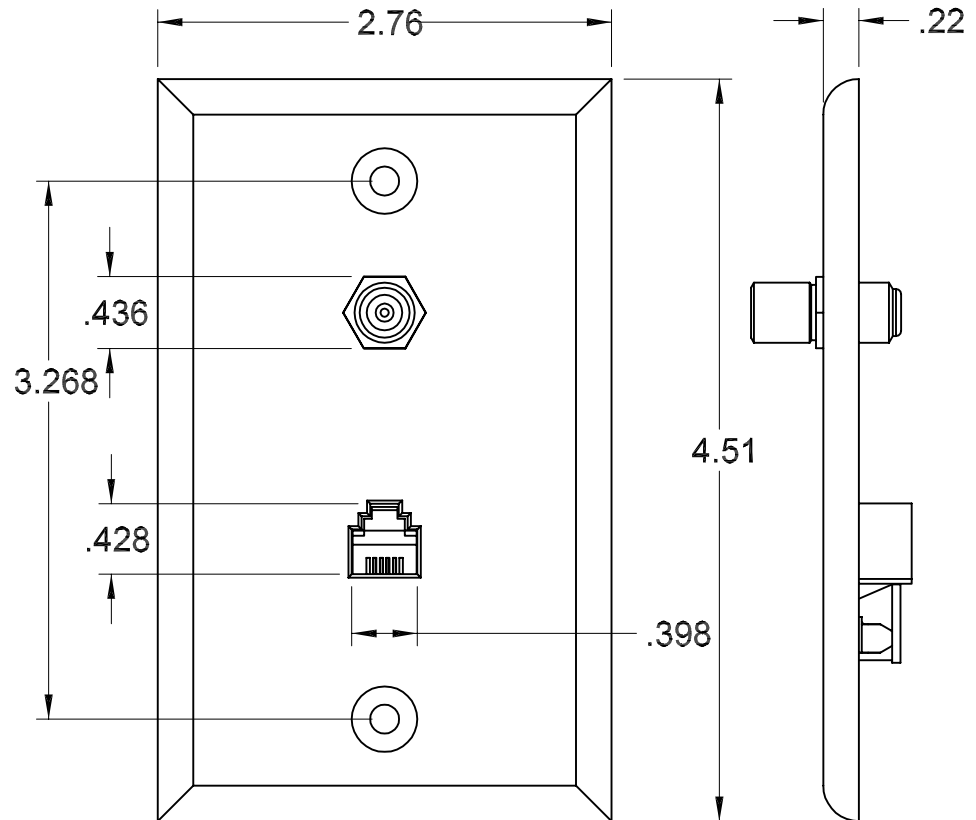
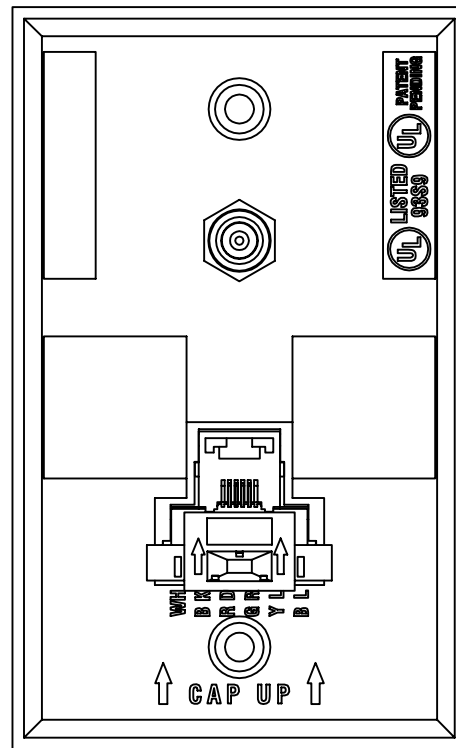


REVISION HISTORY					
REV	SHT	DESCRIPTION	DATE	ECN	CHECKED
A	ALL	RELEASE NEW	2/4/05	NEW	JS
B	-	UPDATED: FACEPLATE VIEW	8/5/05	-	JS

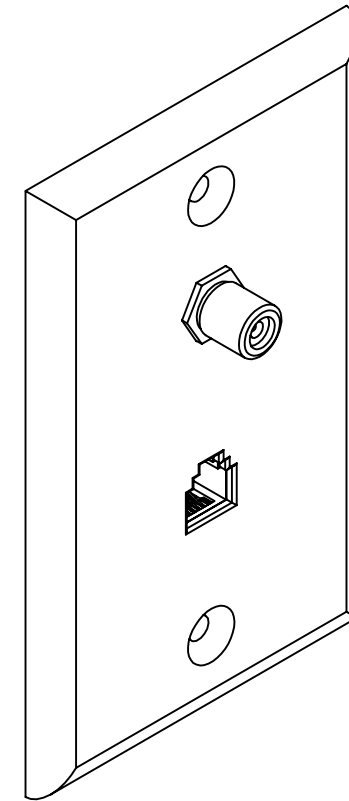


FRONT VIEW

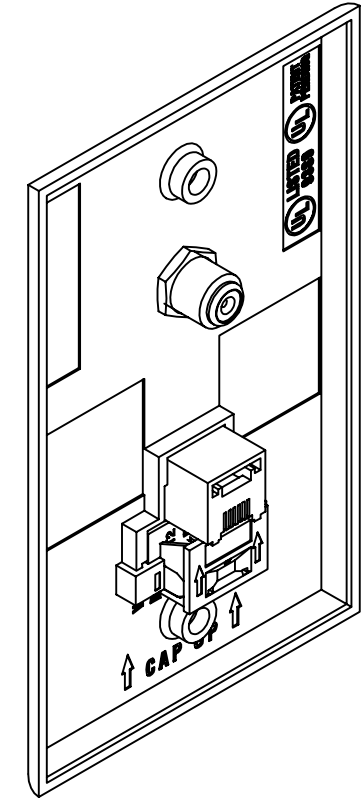
RIGHT SIDE



REAR VIEW



FRONT VIEW

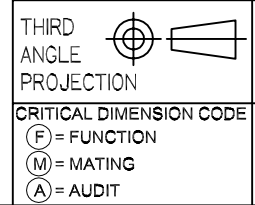


REAR VIEW

NOTES: UNLESS OTHERWISE SPECIFIED.

1. FACEPLATE ASSEMBLIES ARE PROVIDED WITH (1 each) HARDWARE KIT.

UNCONTROLLED COPY



WP1V1F12	ASSY, FACEPLATE, MOLDED, 1 VOICE / 1 VIDEO, BRIGHT WHITE, RESIDENTIAL																								
WP1V1F01	ASSY, FACEPLATE, MOLDED, 1 VOICE / 1 VIDEO, OFFICE WHITE, RESIDENTIAL																								
WP1V1F00	ASSY, FACEPLATE, MOLDED, 1 VOICE / 1 VIDEO, ELEC. IVORY, RESIDENTIAL																								
OCC PART NO.	DESCRIPTION																								
UNCONTROLLED COPY																									
UNLESS OTHERWISE SPECIFIED DIMENSIONS ARE IN INCHES. TOLERANCES: FRACTIONS ±1/32" ANGLES ±1/2° 3 PLACE DECIMALS ±.005" 2 PLACE DECIMALS ±.01"	THIS DRAWING AND THE DESIGN SHOWN ARE THE PROPERTY OF OPTICAL CABLE CORPORATION AND MAY NOT BE USED AS THE BASIS FOR MANUFACTURE OR SALE WITHOUT SPECIFIC WRITTEN PERMISSION OF OPTICAL CABLE CORPORATION.																								
MATERIAL SEE BILL OF MATERIAL	<table border="1"> <tr> <td>DRAWN</td> <td>E.WETLI</td> <td>DATE</td> <td>2/4/05</td> </tr> <tr> <td>CHECKED</td> <td>J.SHERRILL</td> <td>DATE</td> <td>2/7/05</td> </tr> <tr> <td>ENGINEER</td> <td>J.YANIK</td> <td>DATE</td> <td>2/4/05</td> </tr> <tr> <td>APPROVED</td> <td>J.HOWE</td> <td>DATE</td> <td>8/5/05</td> </tr> <tr> <td>PREVIOUS DWG</td> <td></td> <td></td> <td></td> </tr> <tr> <td>NEXT DWG</td> <td></td> <td>FILENAME</td> <td>C107179B.dft</td> </tr> </table>	DRAWN	E.WETLI	DATE	2/4/05	CHECKED	J.SHERRILL	DATE	2/7/05	ENGINEER	J.YANIK	DATE	2/4/05	APPROVED	J.HOWE	DATE	8/5/05	PREVIOUS DWG				NEXT DWG		FILENAME	C107179B.dft
DRAWN	E.WETLI	DATE	2/4/05																						
CHECKED	J.SHERRILL	DATE	2/7/05																						
ENGINEER	J.YANIK	DATE	2/4/05																						
APPROVED	J.HOWE	DATE	8/5/05																						
PREVIOUS DWG																									
NEXT DWG		FILENAME	C107179B.dft																						
FINISH SEE NOTES; FOR COLOR SEE OCC SPEC# 100004	<table border="1"> <tr> <td>SIZE</td> <td>B</td> <td>DWG NO.</td> <td>C107179</td> <td>REV</td> <td>B</td> </tr> <tr> <td>SCALE:</td> <td>NONE</td> <td>SHEET</td> <td colspan="3">1 OF 1</td> </tr> </table>	SIZE	B	DWG NO.	C107179	REV	B	SCALE:	NONE	SHEET	1 OF 1														
SIZE	B	DWG NO.	C107179	REV	B																				
SCALE:	NONE	SHEET	1 OF 1																						

5290 Concourse Drive
 Roanoke, VA 24019
 Phone: 800-622-7711
 Fax: 540-265-0724
 www.occfiber.com

DWG TITLE **CUSTOMER DRAWING,
 FACEPLATE ASSY, MOLDED,
 1 VOICE / 1 VIDEO, RESIDENTIAL**