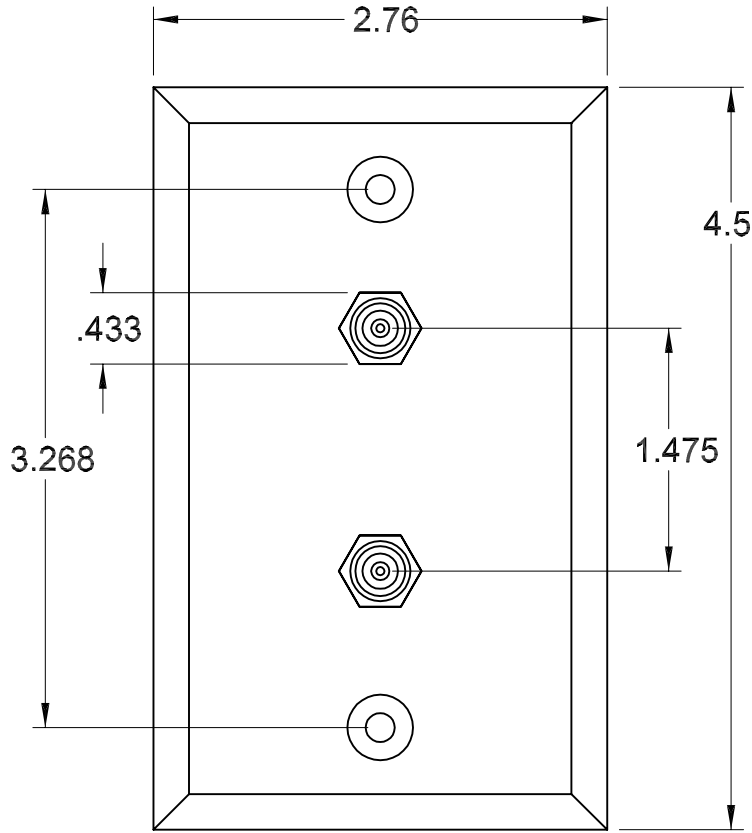
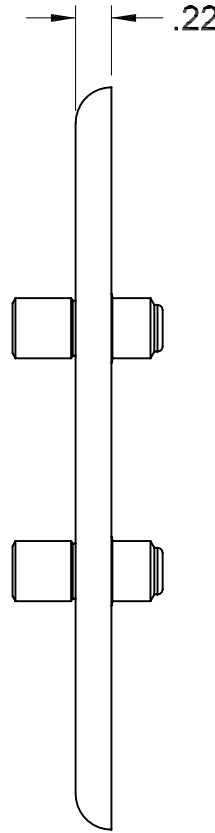


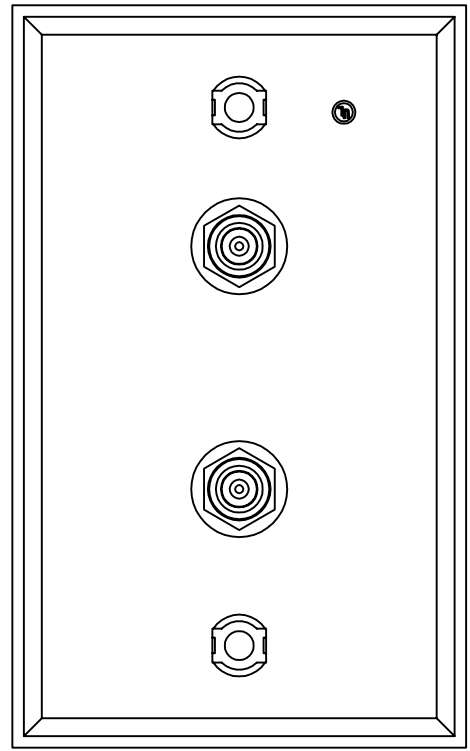
REVISION HISTORY				
REV	SHT	DESCRIPTION	DATE	CHECKED
A	ALL	RELEASE NEW	9/6/07	JFM



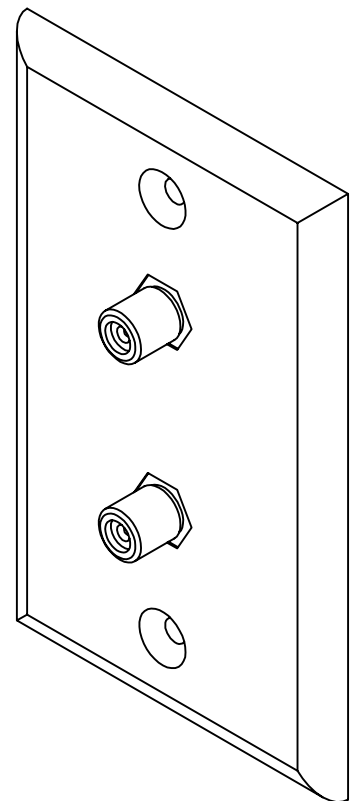
FRONT VIEW



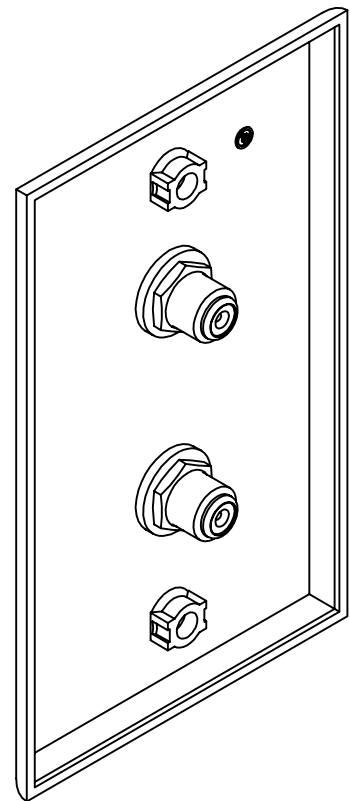
RIGHT SIDE



REAR VIEW



FRONT

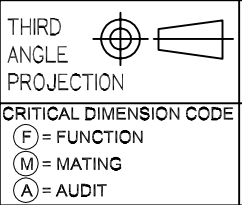


REAR

NOTES: UNLESS OTHERWISE SPECIFIED.

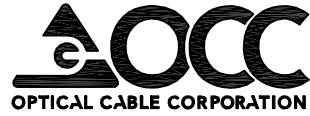
1. FACEPLATE ASSEMBLIES ARE PROVIDED WITH (1 each) HARDWARE KIT.

**UNCONTROLLED COPY**



WP2F12	ASSY, FACEPLATE, MOLDED, 2 VIDEO, BRIGHT WHITE, RESIDENTIAL
WP2F01	ASSY, FACEPLATE, MOLDED, 2 VIDEO, OFFICE WHITE, RESIDENTIAL
WP2F00	ASSY, FACEPLATE, MOLDED, 2 VIDEO, ELEC. IVORY, RESIDENTIAL
OCC PART NO.	DESCRIPTION

UNCONTROLLED COPY			
UNLESS OTHERWISE SPECIFIED DIMENSIONS ARE IN INCHES. TOLERANCES: FRACTIONS ±1/32" ANGLES ±1/2° 3 PLACE DECIMALS ±.005" 2 PLACE DECIMALS ±.01"		THIS DRAWING AND THE DESIGN SHOWN ARE THE PROPERTY OF OPTICAL CABLE CORPORATION AND MAY NOT BE USED AS THE BASIS FOR MANUFACTURE OR SALE WITHOUT SPECIFIC WRITTEN PERMISSION OF OPTICAL CABLE CORPORATION.	
DRAWN	E.WETLI	DATE	9/6/07
CHECKED	J.MALTAIS	DATE	9/6/07
ENGINEER	J.YANIK	DATE	9/6/07
APPROVED	J.HOWE	DATE	9/6/07
PREVIOUS DWG			
NEXT DWG		FILENAME	C107178A.dft

 <b>OPTICAL CABLE CORPORATION</b>	5290 Concourse Drive Roanoke, VA 24019 Phone: 800-622-7711 Fax: 540-265-0724 www.occfiber.com	
	DWG TITLE <b>CUSTOMER DRAWING, FACEPLATE ASSY, 2 VIDEO, MOLDED, RESIDENTIAL</b>	
SIZE <b>B</b>	DWG NO. <b>C107178</b>	REV <b>A</b>
SCALE: <b>NONE</b>	SHEET <b>1 OF 1</b>	