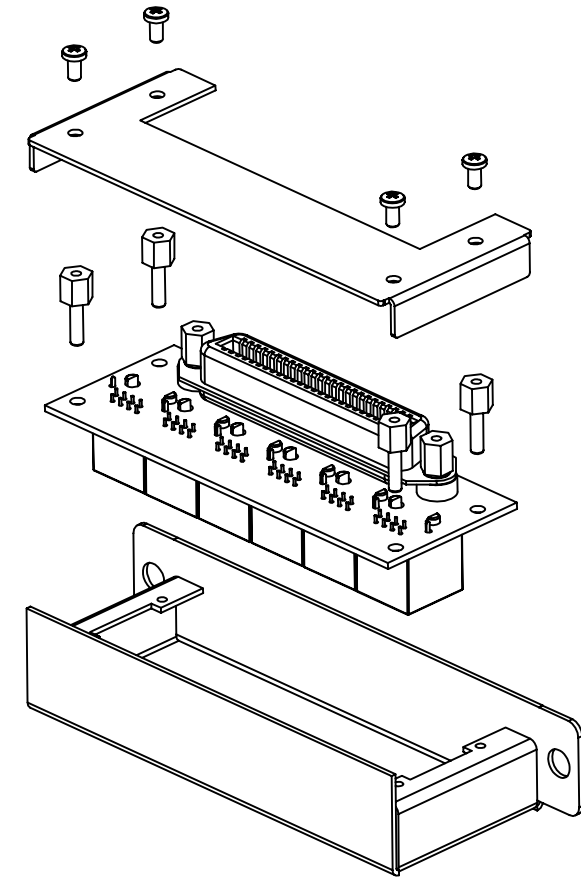
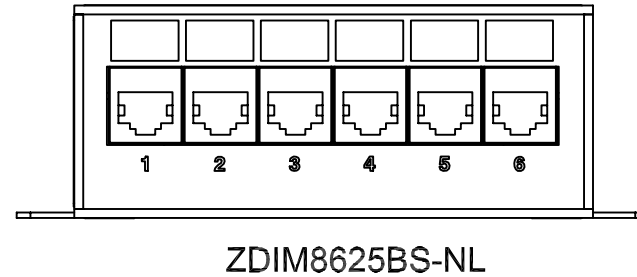
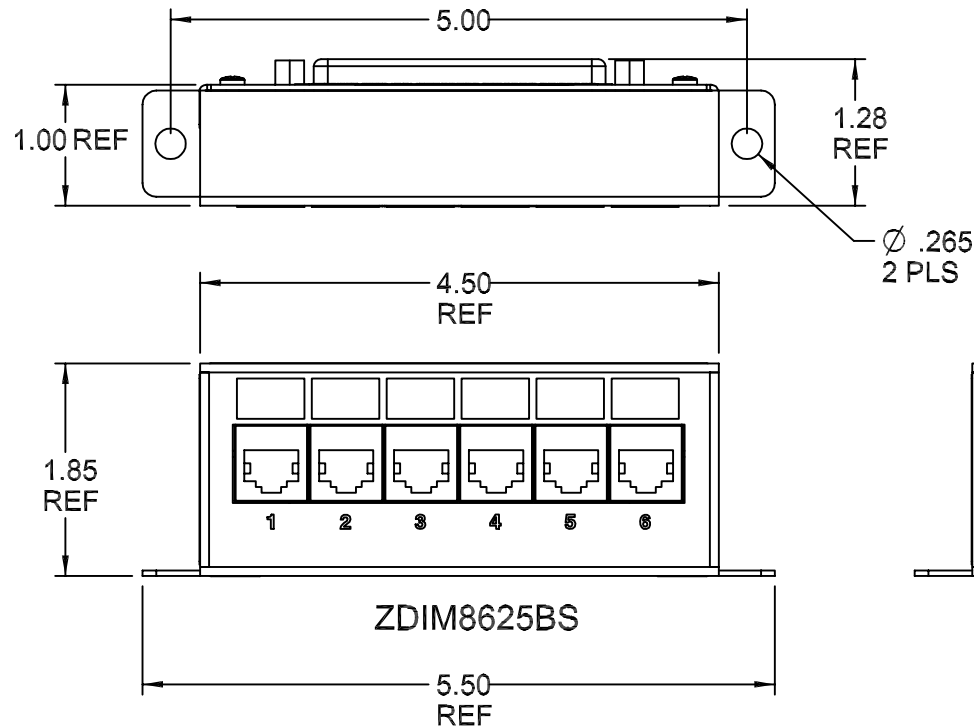
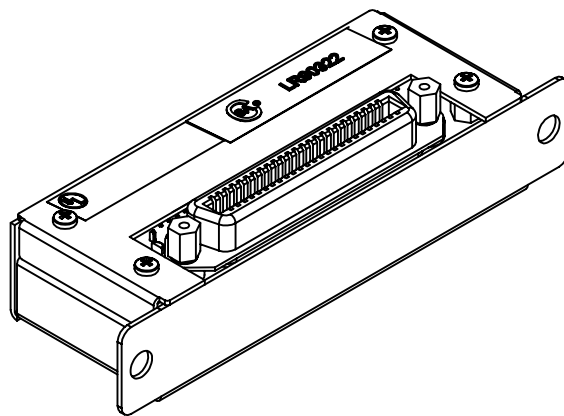


REVISION HISTORY					
REV	SHT	DESCRIPTION	DATE	ECN	CHECKED
A	ALL	RELEASE NEW	12/9/04	NEW	JFM



EXPLODED VIEW



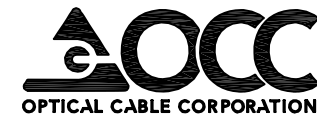
ISOMETRIC VIEW

ZDIM8625BS-NL	ASSY, ZONE DIST, MODULE, 6 PORT, GIGABIT, SHIELDED, NO LOGO
ZDIM8625BS	ASSY, ZONE DIST, MODULE, 6 PORT, GIGABIT, SHIELDED
OCC PART NO.	DESCRIPTION

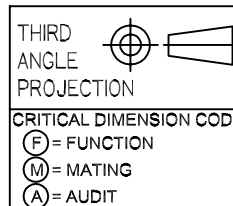
UNCONTROLLED COPY

UNLESS OTHERWISE SPECIFIED
DIMENSIONS ARE IN INCHES.
TOLERANCES: FRACTIONS ±1/32"
ANGLES ±1/2°
3 PLACE DECIMALS ±.005"
2 PLACE DECIMALS ±.01"

THIS DRAWING AND THE DESIGN SHOWN ARE THE
PROPERTY OF OPTICAL CABLE CORPORATION AND
MAY NOT BE USED AS THE BASIS FOR MANU-
FACTURE OR SALE WITHOUT SPECIFIC WRITTEN
PERMISSION OF OPTICAL CABLE CORPORATION.



5290 Concourse Drive
Roanoke, VA 24019
Phone: 800-622-7711
Fax: 540-265-0724
www.occfiber.com



MATERIAL	SEE BILL OF MATERIAL
FINISH	SEE BILL OF MATERIAL

DRAWN	D.A.HOLBERT	DATE	12/9/04
CHECKED	J.MALTAIS	DATE	2/2/05
ENGINEER	J.YANIK	DATE	12/9/04
APPROVED	R.B.SMITH	DATE	2/2/05
PREVIOUS DWG			
NEXT DWG		FILENAME	C106962A.DFT

DWG TITLE				CUSTOMER DRAWING, ZONE DIST ASSY, MODULE, 6 PORT/TELCO, SHIELDED	
SIZE	B	DWG NO.	C106962	REV	A
SCALE:	NONE	SHEET	1 OF 1		