

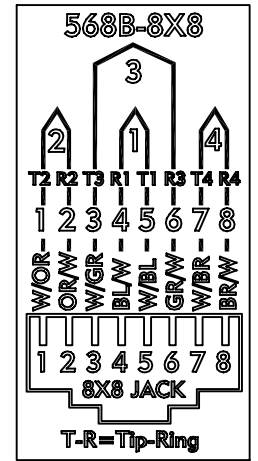
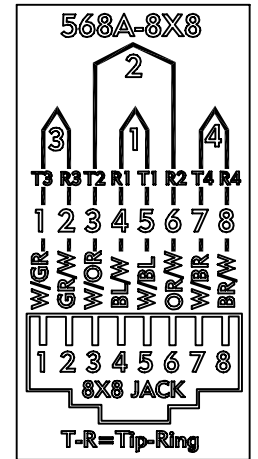
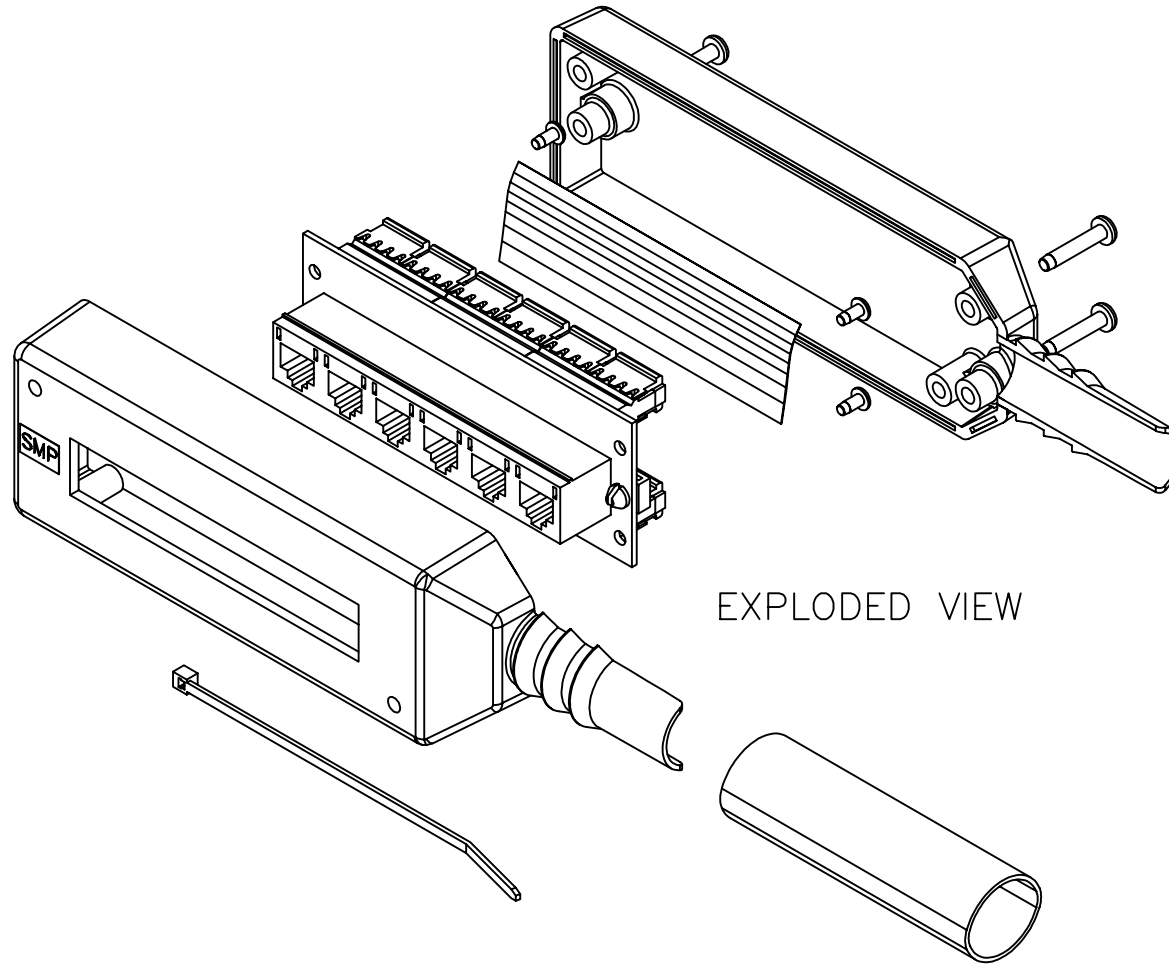
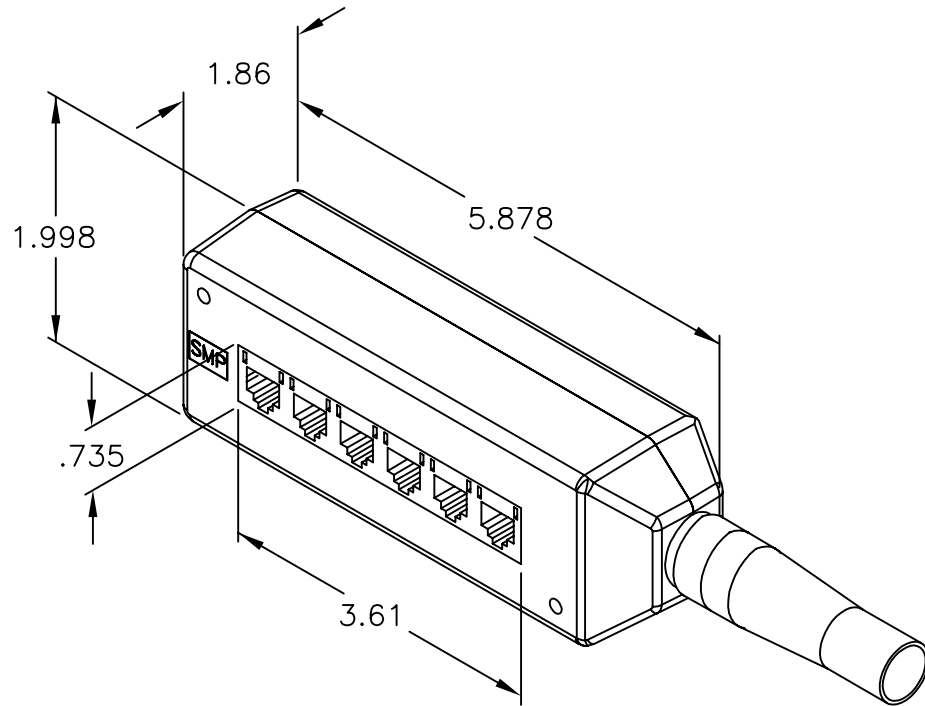
SPECIFICATI
APPLICATION SUPPORT LIST:

100 BASE-TX FAST ETHERNET
1000 BASE-T GIGABIT ETHERNET

ALL OTHER APPLICATIONS DEVELOPED FOR OPERATION
OVER CATEGORY 5E OR CLASS D CABLING.

FEATURES/MATERIALS:

- PC BOARD TECHNOLOGY.
- CONTACTS – BERYLLIUM COPPER WITH A MINIMUM OF 50 MICRO INCHES OF GOLD PLATING OVER NICKEL.
- 110 STYLE CONNECTORS – 100 MICRO-INCH TIN LEAD 60/40 PLATED OVER PHOSPHORUS BRONZE.
- UL LISTED.
- CSA CERTIFIED

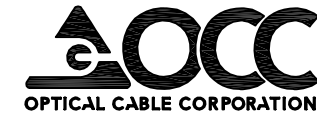


ZDIMA5E	ZONE DISTRIBUTION, A5E, 6 PORT/110, SMP
ZDIMA5EBL	ZONE DISTRIBUTION, A5E, 6 PORT/110, BLANK
OCC PART NO.	DESCRIPTION

UNCONTROLLED COPY

UNLESS OTHERWISE SPECIFIED
DIMENSIONS ARE IN INCHES
TOLERANCES:
FRACTIONS ±1/32"
ANGLES ±1/2°
3 PLACE DECIMALS ±.005"
2 PLACE DECIMALS ±.01"

THIS DRAWING AND THE DESIGN SHOWN ARE THE
PROPERTY OF OPTICAL CABLE CORPORATION AND
MAY NOT BE USED AS THE BASIS FOR MANU-
FACTURE OR SALE WITHOUT SPECIFIC WRITTEN
PERMISSION OF OPTICAL CABLE CORPORATION.



5290 Concourse Drive
Roanoke, VA 24019
Phone: 800-622-7711
Fax: 540-265-0724
www.occfiber.com

THIRD ANGLE		MATERIAL	SEE BILL OF MATERIAL
FIN CODE		FINISH	SEE NOTES

DRAWN BY	D.A.HOLBERT	DATE	3/21/04
CHECKED BY	R.B.SMITH	DATE	3/28/04
ENGINEER	J.YANIK	DATE	3/21/04
APPROVED	H.JOHNSON	DATE	10/1/10
PREVIOUS DWG			
NEXT DWG		FILENAME	C106255A.DWG

DWG TITLE		SIZE	DWG NO.	REV
ZONE DISTRIBUTION, A5E, 6 PORT/110 ASSEMBLY				
		B	C106255	A
NEXT DWG		SCALE	NONE	SHEET
		1 OF 1		