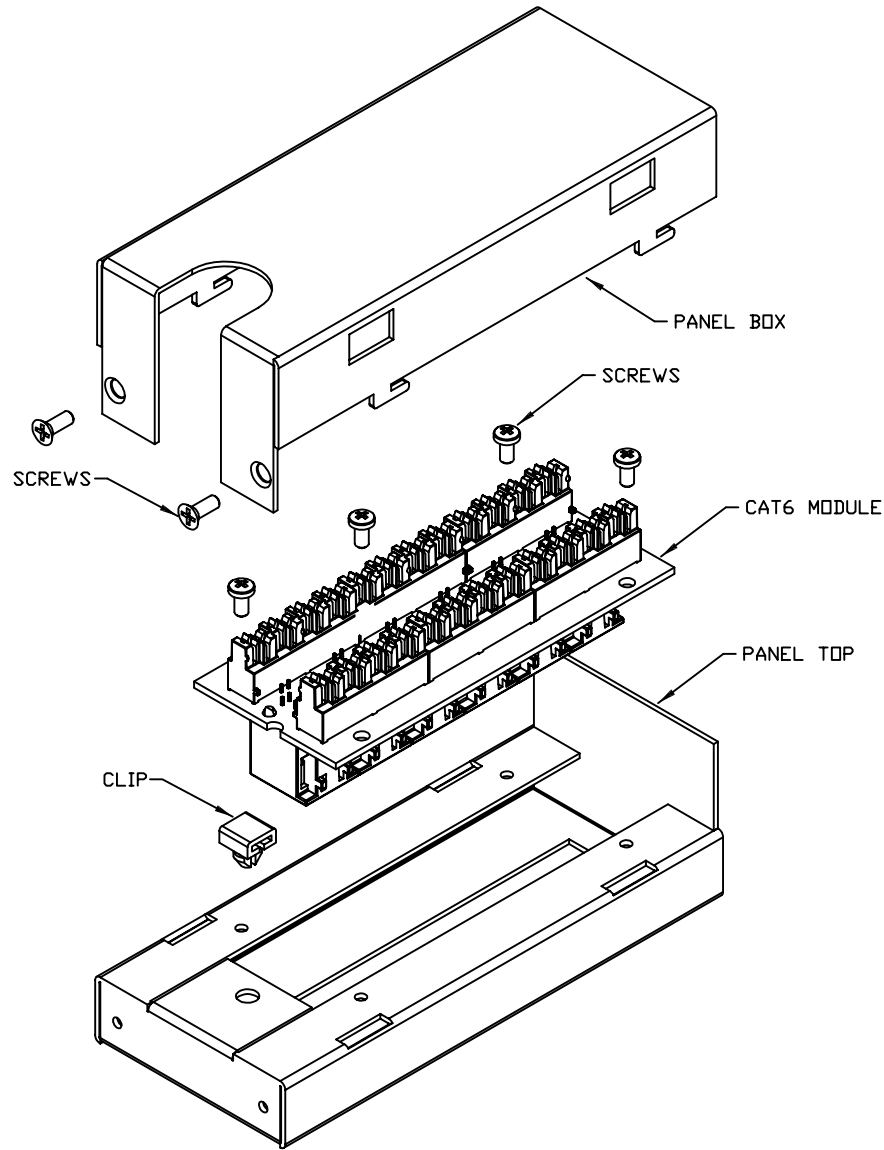
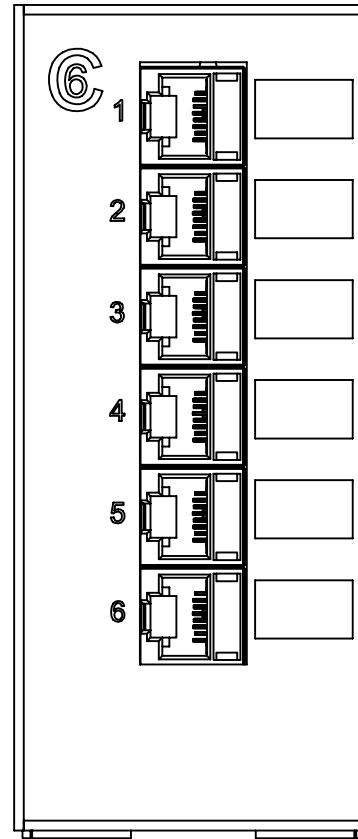


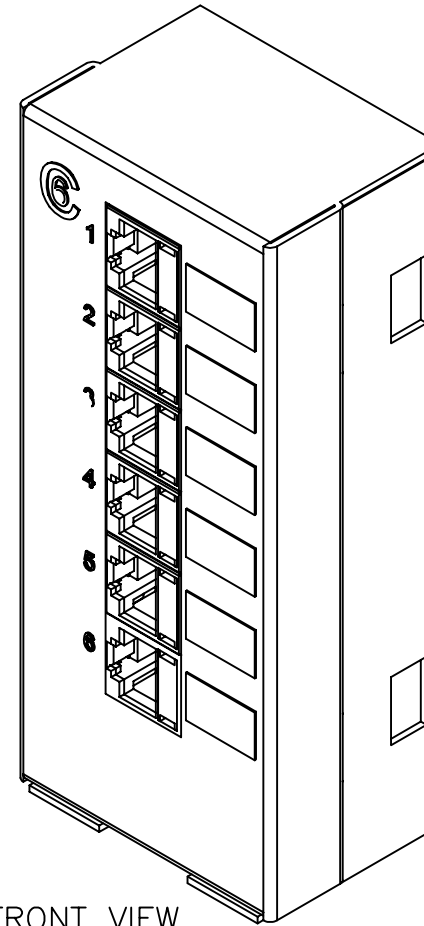
REV		SHT	DESCRIPTION	DATE	ECN	CHECKED
A	ALL	RELEASE	NEW	1/22/03	NEW	RBS



EXPLODED VIEW



ISOMETRIC



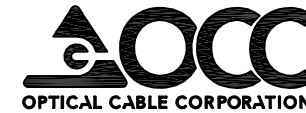
FRONT VIEW

ZDIMSIX6A/B	ZONE DISTRIBUTION ADAPTER, 6 PORT, CAT6
OCC PART NO.	DESCRIPTION

**UNCONTROLLED COPY**

UNLESS OTHERWISE SPECIFIED  
DIMENSIONS ARE IN INCHES  
TOLERANCES:  
FRACTIONS ±1/32"  
ANGLES ±1/2°  
3 PLACE DECIMALS ±.005"  
2 PLACE DECIMALS ±.01"

THIS DRAWING AND THE DESIGN SHOWN ARE THE  
PROPERTY OF OPTICAL CABLE CORPORATION AND  
MAY NOT BE USED AS THE BASIS FOR MANU-  
FACTURE OR SALE WITHOUT SPECIFIC WRITTEN  
PERMISSION OF OPTICAL CABLE CORPORATION.



5290 Concourse Drive  
Roanoke, VA 24019  
Phone: 800-622-7711  
Fax: 540-265-0724  
www.occfiber.com

THIRD ANGLE PROJECTION	
<b>CRITICAL DIMENSION CODE</b>	FINISH SEE BILL OF MATERIAL
(F) = FUNCTION	
(M) = MATING	
(A) = AUDIT	

MATERIAL SEE BILL OF MATERIAL	FINISH SEE BILL OF MATERIAL
-------------------------------	-----------------------------

DRAWN BY D.A.HOLBERT	DATE 1/22/03
CHECKED BY R.B.SMITH	DATE 1/24/03
ENGINEER J.YANIK	DATE 1/22/03
APPROVED H.JOHNSON	DATE 10/1/10
PREVIOUS DWG	
NEXT DWG	

DWG TITLE		5290 Concourse Drive	
ZONE DISTRIBUTION ADAPTER, 6 PORT, CATEGORY 6		Roanoke, VA 24019	
		Phone: 800-622-7711	
		Fax: 540-265-0724	
		www.occfiber.com	
SIZE B	DWG NO. C105683	REV A	
FILENAME C105683A.DWG	SCALE NONE	SHEET 1 OF 1	