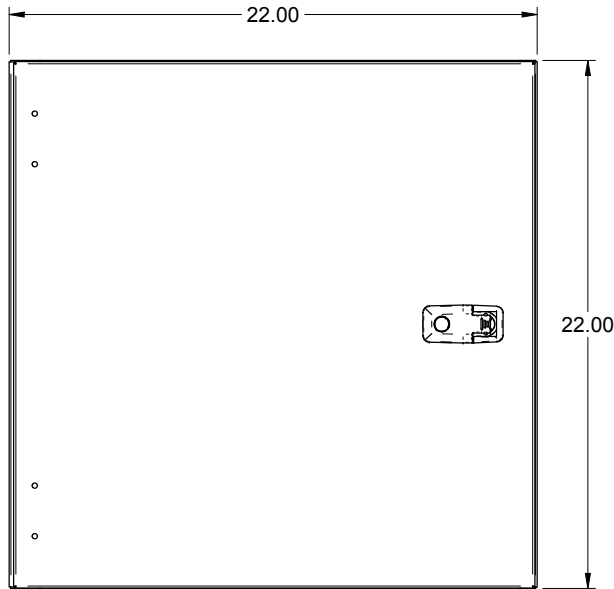
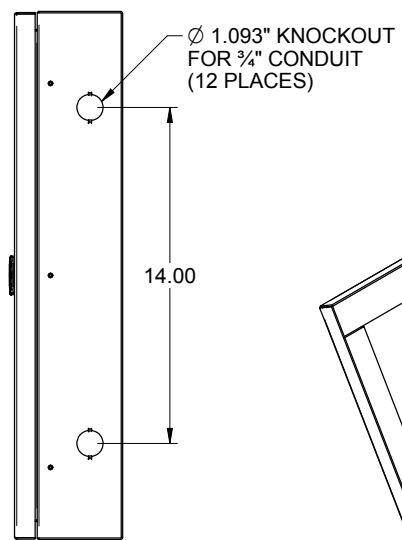


REVISION HISTORY		DATE	ECN	CHECKED
REV/SHT	DESCRIPTION			
A	ALL RELEASE NEW	7/25/14	NEW	JY

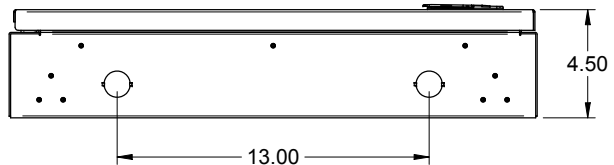
"OPTICAL CABLE CORPORATION (OCC) RESERVES THE RIGHT TO REVISE ANY ZONE ENCLOSURE SPECIFICATIONS."



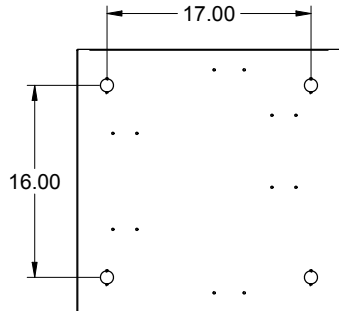
FRONT VIEW



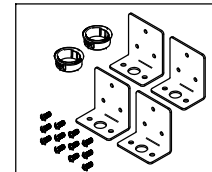
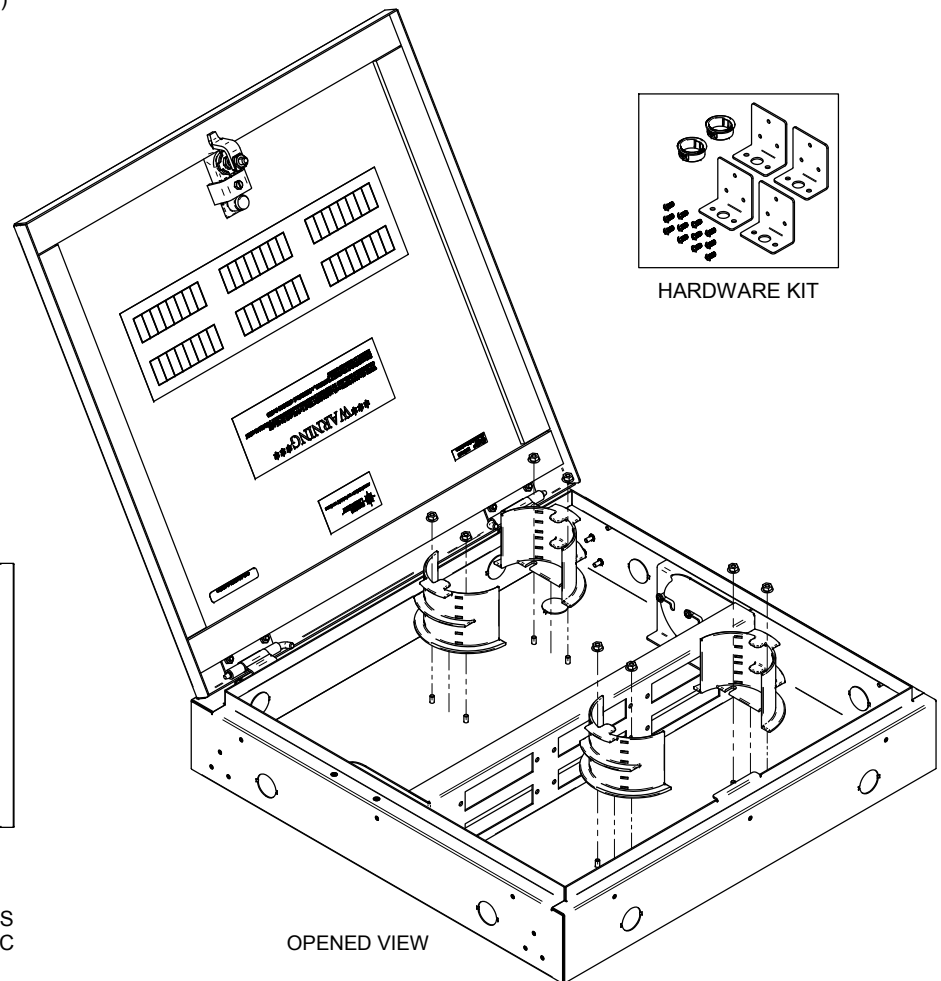
RIGHT SIDE



BOTTOM VIEW



BACK VIEW

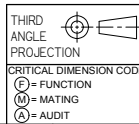


HARDWARE KIT

OPENED VIEW

- NOTES: UNLESS OTHERWISE SPECIFIED.
1. OPTICAL CABLE CORPORATION'S ZES6AP SERIES FIBER OPTIC CROSS CONNECT ENCLOSURES PROVIDE FIBER MANAGEMENT, CONNECTIVITY, AND DISTRIBUTION FOR MULTIPLE FIBER OPTIC CABLE APPLICATIONS.
 2. ACCOMMODATES OCC 600 SERIES SNAP-IN ADAPTER PLATES. PLATES ARE ORDERED SEPARATELY.
 3. ZES6AP ENCLOSURES PROVIDE INNOVATIVE FIBER ORGANIZATION UTILIZING FIBER CABLE HOOPS DESIGNED TO MAINTAIN ORDERLY FIBER MANAGEMENT AND ALLOW FOR GREATER SEGREGATION OF INCOMING FIBER CABLES.
 4. RUGGED 16-GAUGE STEEL CONSTRUCTION WITH A DURABLE WHITE POWDER COAT FINISH.
 5. HINGED FRONT/TOP DOOR COVER WITH CAM DOOR LATCH PROVIDE EASY ACCESS.
 6. HARDWARE KIT ALLOWS THE ENCLOSURE TO BE WALL MOUNTED OR HUNG FROM STRUCTURE ABOVE WITH PROPER SUPPORT HARDWARE.
 7. ALL PLASTIC COMPONENTS ARE HIGH-IMPACT SELF-EXTINGUISHING, UL LISTED.

UNCONTROLLED COPY



ZES6AP	ZONE ENCLOSURE, SHALLOW, 6 ADAPTER PLATES	
OCC PART NUMBER	DESCRIPTION	
UNLESS OTHERWISE SPECIFIED, DIMENSIONS ARE IN INCHES. TOLERANCES: FRACTIONS ±1/32" ANGLES ±1/2° 3 PLACE DECIMALS ±.005" 2 PLACE DECIMALS ±.01"	THIS DRAWING AND THE DESIGN SHOWN ARE THE PROPERTY OF OPTICAL CABLE CORPORATION AND MAY NOT BE USED AS THE BASIS FOR MANUFACTURE OR SALE WITHOUT SPECIFIC WRITTEN PERMISSION OF OPTICAL CABLE CORPORATION.	
MATERIAL SEE BILL OF MATERIAL	DRAWN D.A.HOLBERT	DATE 7/23/14
FINISH SEE NOTES	CHECKED J. YANIK	DATE 9/4/14
	ENGINEER N. UHLAND	DATE 7/23/14
	APPROVED J. HOWE	DATE 9/4/14
	PREVIOUS DWG	
	NEXT DWG	
	FILENAME C111938A.dft	SCALE: NONE
		SHEET 1 OF 1



ZONE ENCLOSURE, SHALLOW CABINET ASSY
 DWG NO. **C111938**
 REV **A**