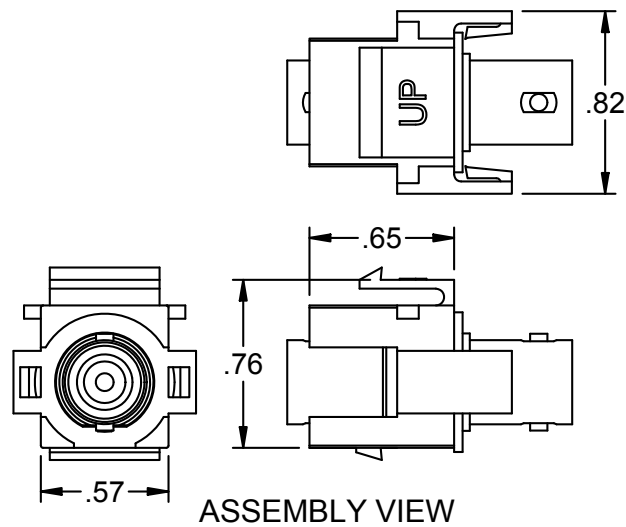
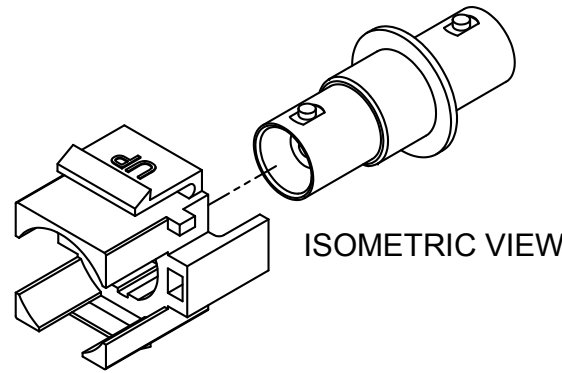


"OPTICAL CABLE CORPORATION (OCC)
RESERVES THE RIGHT TO REVISE ANY
AND ALL PRODUCT SPECIFICATIONS."

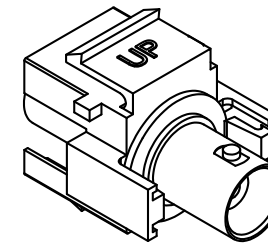
UNCONTROLLED COPY



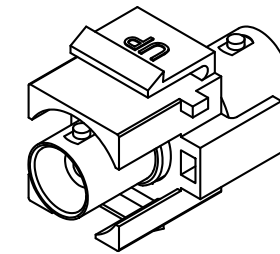
ASSEMBLY VIEW



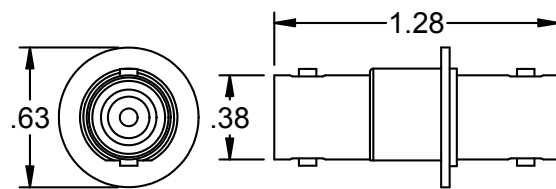
ISOMETRIC VIEW



REAR VIEW



FRONT VIEW



BNC CONNECTOR

ELECTRICAL

IMPEDANCE	50 ohm
FREQUENCY RANGE	0 - 4GHz
WORKING VOLTAGE	500 Volts rms
DIELECTRIC WITHSTANDING VOLTAGE	1500 Volts rms
VSWR	1.3 maximum 0 - 4GHz
CONTACT RESISTANCE	Center contact 1.5 milliohm Outer contact 1.0 milliohm
INSULATION RESISTANCE	500 megaohms (minimum)

AKBNC12	ASSY, ADAPTER, BNC, BRIGHT WHITE, COMMERCIAL
AKBNC11	ASSY, ADAPTER, BNC, BROWN, COMMERCIAL
AKBNC10	ASSY, ADAPTER, BNC, PURPLE, COMMERCIAL
AKBNC09	ASSY, ADAPTER, BNC, YELLOW, COMMERCIAL
AKBNC08	ASSY, ADAPTER, BNC, ORANGE, COMMERCIAL
AKBNC07	ASSY, ADAPTER, BNC, WHITE, COMMERCIAL
AKBNC06	ASSY, ADAPTER, BNC, GREY, COMMERCIAL
AKBNC05	ASSY, ADAPTER, BNC, BLUE, COMMERCIAL
AKBNC04	ASSY, ADAPTER, BNC, GREEN, COMMERCIAL
AKBNC03	ASSY, ADAPTER, BNC, RED, COMMERCIAL
AKBNC02	ASSY, ADAPTER, BNC, BLACK, COMMERCIAL
AKBNC01	ASSY, ADAPTER, BNC, OFFICE WHITE, COMMERCIAL
AKBNC00	ASSY, ADAPTER, BNC, ELEC. IVORY, COMMERCIAL
OCC PART NO.	DESCRIPTION

THIRD ANGLE PROJECTION

CRITICAL DIMENSION CODE
 (F) = FUNCTION
 (M) = MATING
 (A) = AUDIT

UNCONTROLLED COPY

UNLESS OTHERWISE SPECIFIED DIMENSIONS ARE IN INCHES.
 TOLERANCES: FRACTIONS ±1/32"
 ANGLES ±1/2"
 3 PLACE DECIMALS ±.005"
 2 PLACE DECIMALS ±.01"

MATERIAL: SEE BILL OF MATERIAL

FINISH: SEE NOTES

DRAWN: D.A.HOLBERT DATE: 2/23/05
 CHECKED: J.HOWE DATE: 2/25/05
 ENGINEER: J.YANIK DATE: 2/23/05
 APPROVED: J.CALLOWAY DATE: 12/30/16

PREVIOUS DWG: _____
 NEXT DWG: _____

5290 Concourse Drive
 Roanoke, VA 24019
 Phone: 800-622-7711
 Fax: 540-265-0724
 www.occfiber.com

DWG TITLE: **CUSTOMER DRAWING, ASSY, ADAPTER, BNC, COMMERCIAL**

SIZE: **B** DWG NO.: **C107101** REV: **C**

FILENAME: C107101C.dft SCALE: NONE SHEET: 1 OF 1