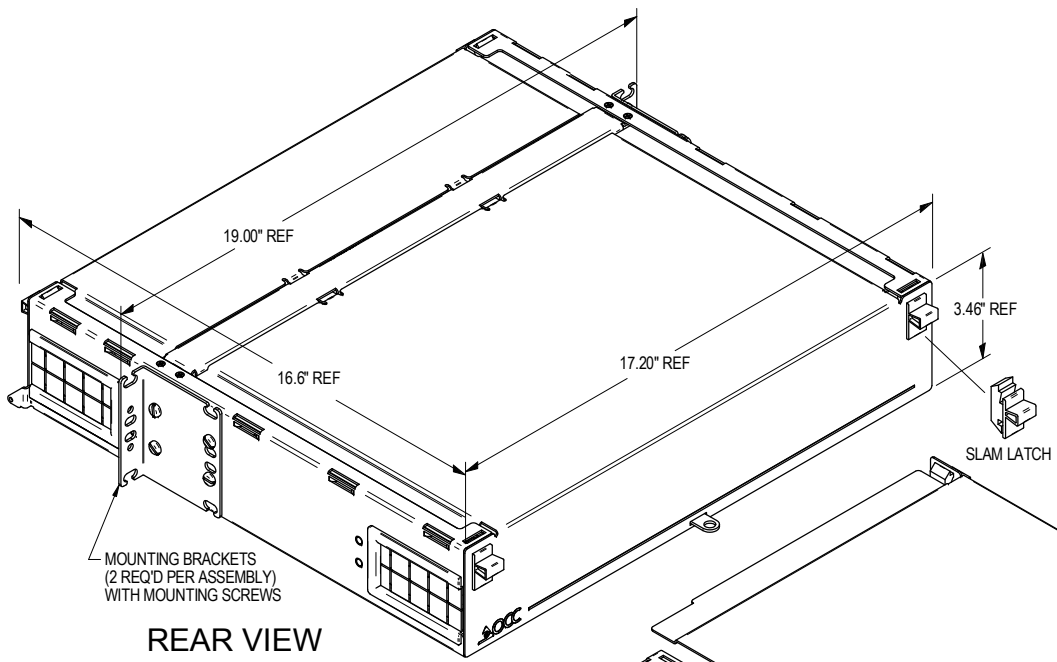


REVISION HISTORY		DATE	ECN	CHECKED
REV/SHT	DESCRIPTION			
A	ALL RELEASE NEW	1/14/14	NEW	JH

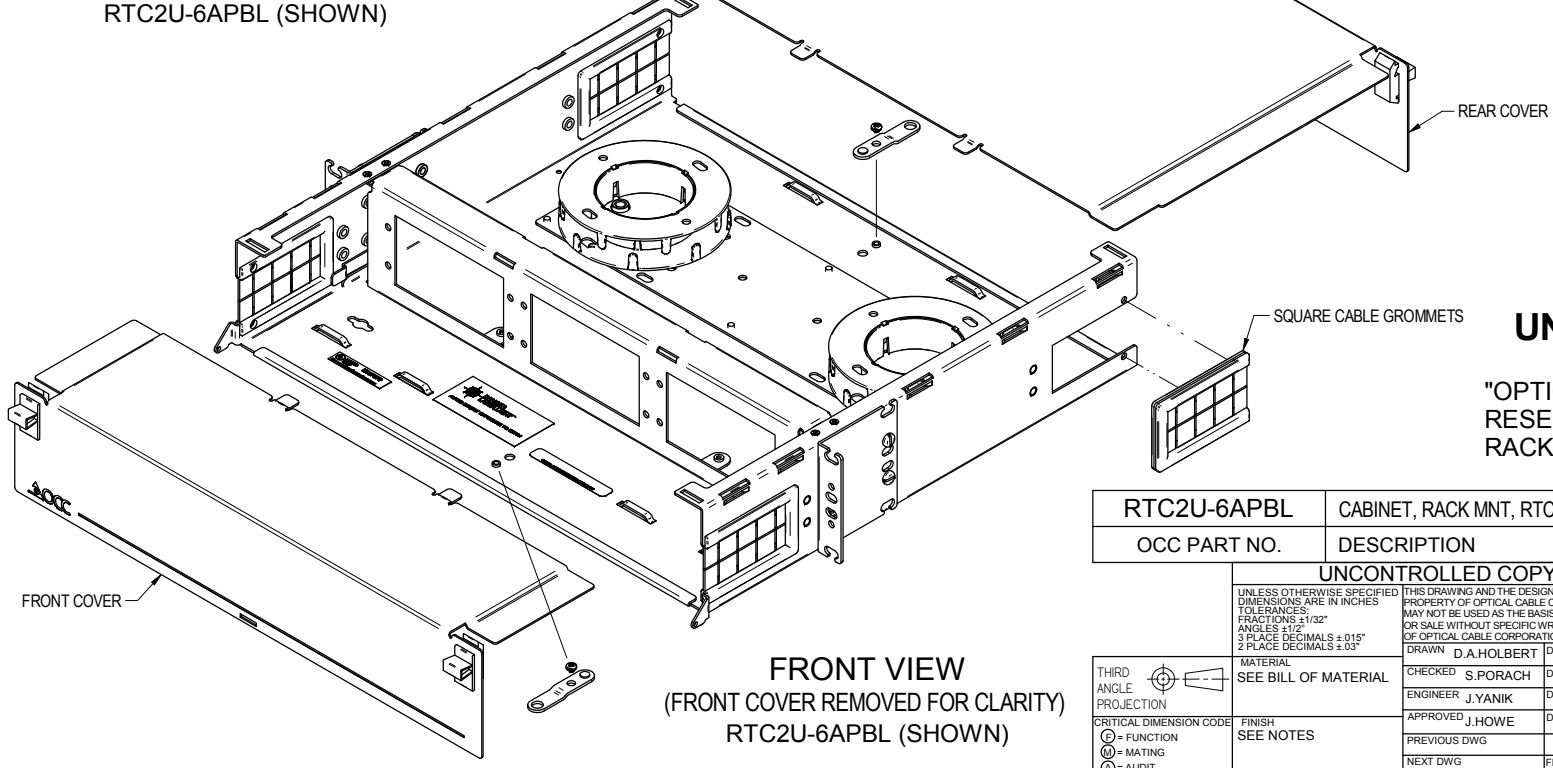
SPECIFICATIONS

FEATURES & BENEFITS:

- OPTICAL CABLE CORPORATION'S, RTC2U SERIES LOW PROFILE FIBER OPTIC CROSS CONNECT ENCLOSURES PROVIDE FIBER MANAGEMENT, CONNECTIVITY, AND DISTRIBUTION FOR 6-72 FIBERS. ACCOMMODATES ALL CROSS CONNECT FUNCTIONS (SPlicing, TERMINATION, AND INTERCONNECTION) FOR OUTSIDE PLANT, BACKBONE, AND BUILDING CABLES.
- ACCOMMODATES OCC 600 SERIES SNAP-IN ADAPTER PLATES. RTC2U ENCLOSURE PORT COUNT IS BASED UPON THE PORT DENSITY OF THE ADAPTER PLATES. ADAPTER PLATES ORDERED SEPARATELY.
- RTC2U ENCLOSURES PROVIDE INNOVATIVE FIBER ORGANIZATION UTILIZING STACKABLE FIBER HOOPS DESIGNED TO MAINTAIN ORDERLY FIBER MANAGEMENT AND ALLOW FOR GREATER SEGREGATION OF INCOMING FIBER CABLES
- PLASTIC GROMMETS PROVIDE RELIABLE CABLE PROTECTION AT ALL CABLE ENTRANCES AND EXITS.
- RUGGED 16-GAUGE STEEL CONSTRUCTION WITH A DURABLE POWDER COAT FINISH. RTC2U DRAWER COLOR: B = BLACK
- HINGED TRANSPARENT COVER ALLOWS FOR VISUAL INSPECTION OF PORTS AND DEFINED LABELING FIELD PROVIDED FOR TIA 606A COMPLIANCE.
- STANDARD UNIVERSAL MOUNTING BRACKETS INCLUDED TO FIT 19" AND 23" RACKS OR CABINETS. OPTIONAL RECESS BRACKETS ARE AVAILABLE TO ALLOW RTC2U ENCLOSURES TO FIT FLUSH WITH RACK
- ALL PLASTIC COMPONENTS ARE HIGH-IMPACT SELF-EXTINGUISHING, UL LISTED RATING 94 V-0.
- SPLICE TRAY KIT(S) AND EXTERNAL STRAIN RELIEF BRACKETS MAY BE ORDERED SEPARATELY AS AN OPTION FOR THE RTC2U ENCLOSURE.



REAR VIEW
RTC2U-6APBL (SHOWN)



FRONT VIEW
(FRONT COVER REMOVED FOR CLARITY)
RTC2U-6APBL (SHOWN)

UNCONTROLLED COPY

"OPTICAL CABLE CORPORATION (OCC) RESERVES THE RIGHT TO REVISE ANY RACK CABINET SPECIFICATIONS."

RTC2U-6APBL	CABINET, RACK MNT, RTC, 2 UNIT, 6 ADAPTER PLATES, BLACK, LOCKABLE
OCC PART NO.	DESCRIPTION

UNCONTROLLED COPY		OCC		CUSTOMER DRAWING, CABINET ASSEMBLY, RTC2U, RACK MNT SLIDING, 6 PLATES	
UNLESS OTHERWISE SPECIFIED THIS DRAWING AND THE DESIGN SHOWN ARE THE PROPERTY OF OPTICAL CABLE CORPORATION AND MAY NOT BE USED AS THE BASIS FOR MANUFACTURE OR SALE WITHOUT SPECIFIC WRITTEN PERMISSION OF OPTICAL CABLE CORPORATION.		33 Superior Way Swannanoa, NC 28778 Phone: 828-298-2260 Fax: 828-298-2487 www.occfiber.com		DWG TITLE	
MATERIAL SEE BILL OF MATERIAL		DRAWN D.A.HOLBERT	DATE 1/14/14	SIZE C	DWG NO. C111663
FINISH SEE NOTES		CHECKED S.PORACH	DATE 1/27/14	SCALE NONE	REV A
THIRD ANGLE PROJECTION		ENGINEER J.YANIK	DATE 1/14/14	SHEET 1 OF 2	
CRITICAL DIMENSION CODE		APPROVED J.HOWE	DATE 1/31/14	FILENAME C111663S1A.dft	
⊕ = FUNCTION		PREVIOUS DWG			
⊙ = MATING		NEXT DWG			
⊗ = AUDIT					