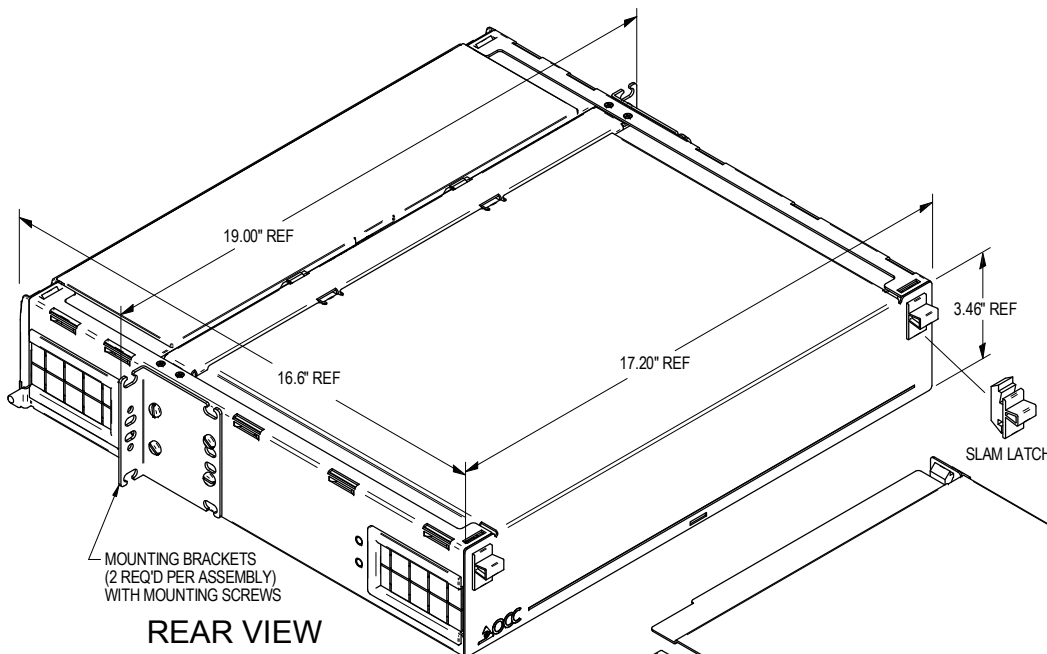


REVISION HISTORY		DATE	ECN	CHECKED
REV/SHT	DESCRIPTION			
A	ALL RELEASE NEW	1/14/14	NEW	JH

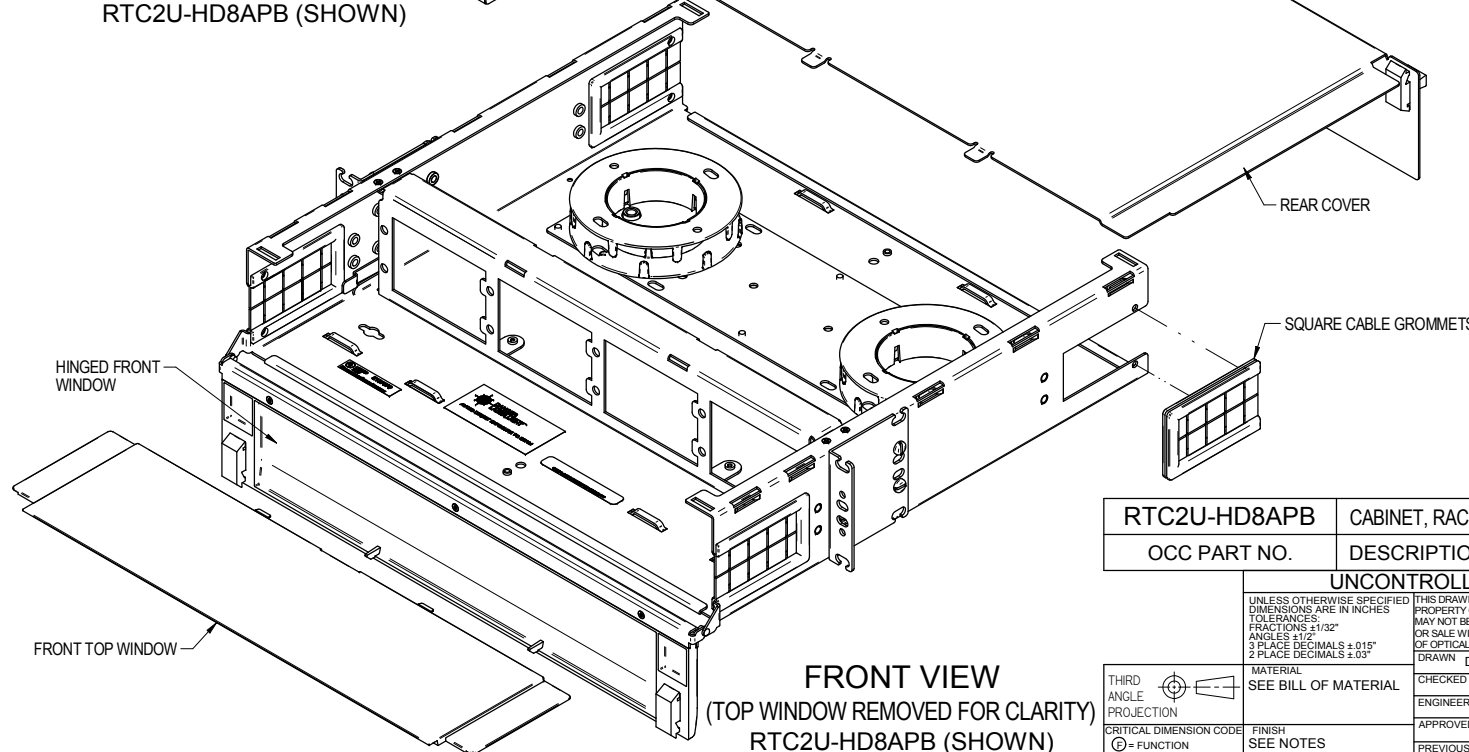
SPECIFICATIONS

FEATURES & BENEFITS:

- OPTICAL CABLE CORPORATION'S, RTC2U SERIES LOW PROFILE FIBER OPTIC CROSS CONNECT ENCLOSURES PROVIDE FIBER MANAGEMENT, CONNECTIVITY, AND DISTRIBUTION FOR 6-96 FIBERS. ACCOMMODATES ALL CROSS CONNECT FUNCTIONS (SPlicing, TERMINATION, AND INTERCONNECTION) FOR OUTSIDE PLANT, BACKBONE, AND BUILDING CABLES.
- ACCOMMODATES OCC HD SNAP-IN ADAPTER PLATES. RTC2U ENCLOSURE PORT COUNT IS BASED UPON THE PORT DENSITY OF THE ADAPTER PLATES. ADAPTER PLATES ORDERED SEPARATELY.
- RTC2U ENCLOSURES PROVIDE INNOVATIVE FIBER ORGANIZATION UTILIZING STACKABLE FIBER HOOPS DESIGNED TO MAINTAIN ORDERLY FIBER MANAGEMENT AND ALLOW FOR GREATER SEGREGATION OF INCOMING FIBER CABLES
- PLASTIC GROMMETS PROVIDE RELIABLE CABLE PROTECTION AT ALL CABLE ENTRANCES AND EXITS.
- RUGGED 16-GAUGE STEEL CONSTRUCTION WITH A DURABLE POWDER COAT FINISH. RTC2U DRAWER COLOR: B = BLACK
- HINGED TRANSPARENT COVER ALLOWS FOR VISUAL INSPECTION OF PORTS AND DEFINED LABELING FIELD PROVIDED FOR TIA 606A COMPLIANCE.
- STANDARD UNIVERSAL MOUNTING BRACKETS INCLUDED TO FIT 19" AND 23" RACKS OR CABINETS. OPTIONAL RECESS BRACKETS ARE AVAILABLE TO ALLOW RTC2U ENCLOSURES TO FIT FLUSH WITH RACK
- ALL PLASTIC COMPONENTS ARE HIGH-IMPACT SELF-EXTINGUISHING, UL LISTED RATING 94 V-0.
- SPLICE TRAY KIT(S) AND EXTERNAL STRAIN RELIEF BRACKETS MAY BE ORDERED SEPARATELY AS AN OPTION FOR THE RTC2U ENCLOSURE.



REAR VIEW
RTC2U-HD8APB (SHOWN)



FRONT VIEW
(TOP WINDOW REMOVED FOR CLARITY)
RTC2U-HD8APB (SHOWN)

UNCONTROLLED COPY

"OPTICAL CABLE CORPORATION (OCC) RESERVES THE RIGHT TO REVISE ANY RACK CABINET SPECIFICATIONS."

RTC2U-HD8APB	CABINET, RACK MNT, RTC, 2 UNIT, 8 ADAPTER PLATES, BLACK, HIGH DENSITY
OCC PART NO.	DESCRIPTION

UNCONTROLLED COPY		DWG TITLE	
UNLESS OTHERWISE SPECIFIED THIS DRAWING AND THE DESIGN SHOWN ARE THE PROPERTY OF OPTICAL CABLE CORPORATION AND MAY NOT BE USED AS THE BASIS FOR MANUFACTURE OR SALE WITHOUT SPECIFIC WRITTEN PERMISSION OF OPTICAL CABLE CORPORATION.	THIS DRAWING AND THE DESIGN SHOWN ARE THE PROPERTY OF OPTICAL CABLE CORPORATION AND MAY NOT BE USED AS THE BASIS FOR MANUFACTURE OR SALE WITHOUT SPECIFIC WRITTEN PERMISSION OF OPTICAL CABLE CORPORATION.	CUSTOMER DRAWING, CABINET ASSEMBLY, RTC2U, RACK MNT SLIDING, 8 PLATES	
TOLERANCES: FRACTIONS ±1/32" ANGLES ±1/2° 3 PLACE DECIMALS ±.015" 2 PLACE DECIMALS ±.03"	DRAWN D.A.HOLBERT DATE 1/14/14	SIZE C	DWG NO. C111657
MATERIAL SEE BILL OF MATERIAL	CHECKED S.PORACH DATE 1/27/14	SCALE: NONE	SHEET 2 OF 2
THIRD ANGLE PROJECTION	ENGINEER J.YANIK DATE 1/14/14	REV A	
CRITICAL DIMENSION CODE	APPROVED J.HOWE DATE 1/27/14		
FINISH SEE NOTES	PREVIOUS DWG		
① = FUNCTION	NEXT DWG	FILENAME C111657S2A.dft	
② = MATING			
③ = AUDIT			

OCC
OPTICAL CABLE CORPORATION
33 Superior Way
Swannanoa, NC 28778
Phone: 828-298-2260
Fax: 828-298-2487
www.occfiber.com