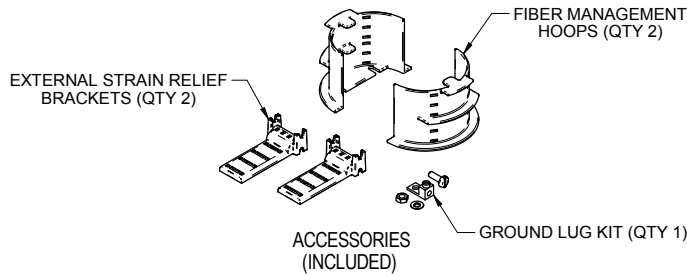
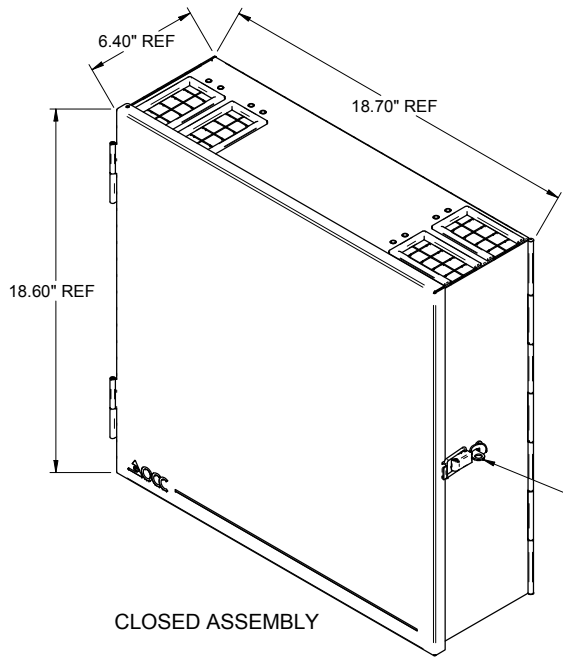
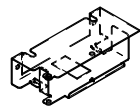
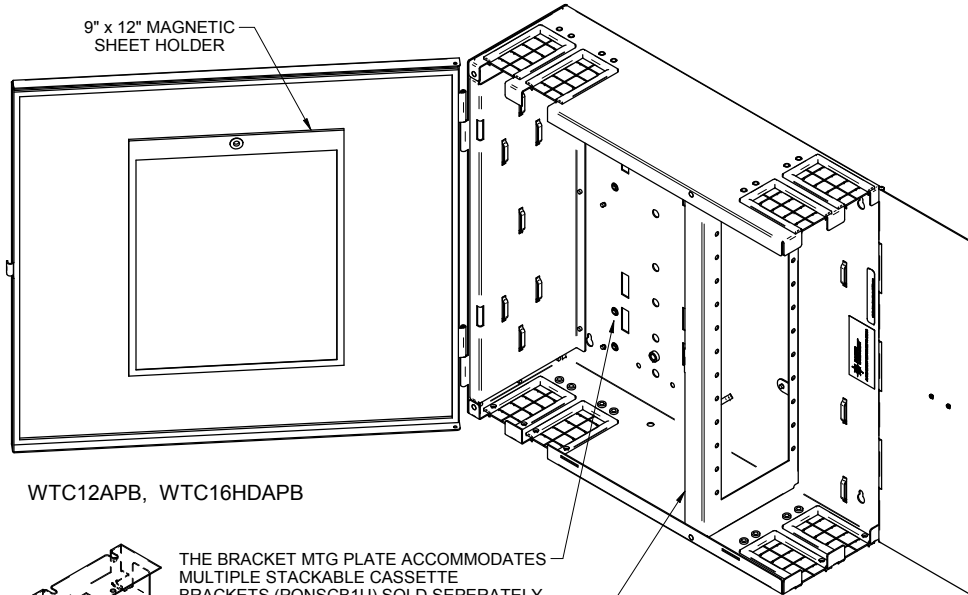
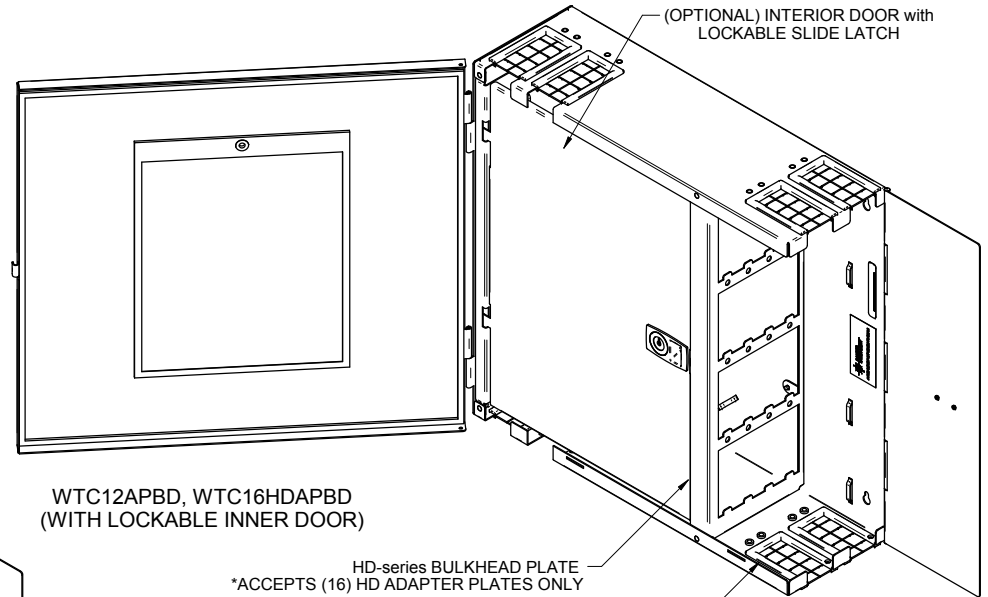


"OPTICAL CABLE CORPORATION (OCC)
RESERVES THE RIGHT TO REVISE ANY
AND ALL DESIGN SPECIFICATIONS."
UNCONTROLLED COPY



DOOR HASP 5/16" DIAMETER HOLE FOR PADLOCK (NOT INCLUDED)



THE BRACKET MTG PLATE ACCOMMODATES MULTIPLE STACKABLE CASSETTE BRACKETS (PONSCB1U) SOLD SEPERATELY

600-series BULKHEAD PLATE *ACCEPTS (12) 600 ADAPTER PLATES AND CASSETTES

WTC12APB	WTC 12APB ENCLOSURE
WTC12APBD	WTC 12APB ENCLOSURE with LOCKABLE INNER DOOR
WTC16HDAPB	WTC 16HDAPB ENCLOSURE
WTC16HDAPBD	WTC 16HDAPB ENCLOSURE with LOCKABLE INNER DOOR
OCC PART NO.	DESCRIPTION

UNLESS OTHERWISE SPECIFIED, THIS DRAWING AND THE DESIGN SHOWN ARE THE PROPERTY OF OPTICAL CABLE CORPORATION AND MAY NOT BE USED AS THE BASIS FOR MANUFACTURE OR SALE WITHOUT SPECIFIC WRITTEN PERMISSION OF OPTICAL CABLE CORPORATION.
DIMENSIONS ARE IN INCHES.
TOLERANCES: FRACTIONS ±1/32"
ANGLES ±1/2°
3 PLACE DECIMALS ±.015"
2 PLACE DECIMALS ±.03"
DRAWN D.A.HOLBERT DATE 10/24/13

MATERIAL: CABINET BASE (CHASSIS) IS CRS, 18 GA. (.048" THK.)
FINISH: SEE NOTES
THIRD ANGLE PROJECTION
CRITICAL DIMENSION CODE
F = FUNCTION
M = MATING
A = AUDIT

CHECKED J.HOWE	DATE 1/8/18
ENGINEER J.YANIK	DATE 10/24/13
APPROVED J.CALLOWAY	DATE 1/31/18
PREVIOUS DWG	
NEXT DWG	

OCC
OPTICAL CABLE CORPORATION
33 Superior Way
Swannanoa, NC 28778
Phone: 828-298-2260
Fax: 828-298-2487
www.occfiber.com

DWG TITLE: CABINET ASSEMBLY, WTC, 12-16 ADAPTER PLATE BULKHEAD
SIZE: C
DWG NO.: **C111678**
SCALE: NONE
SHEET: 1 OF 1
REV: A