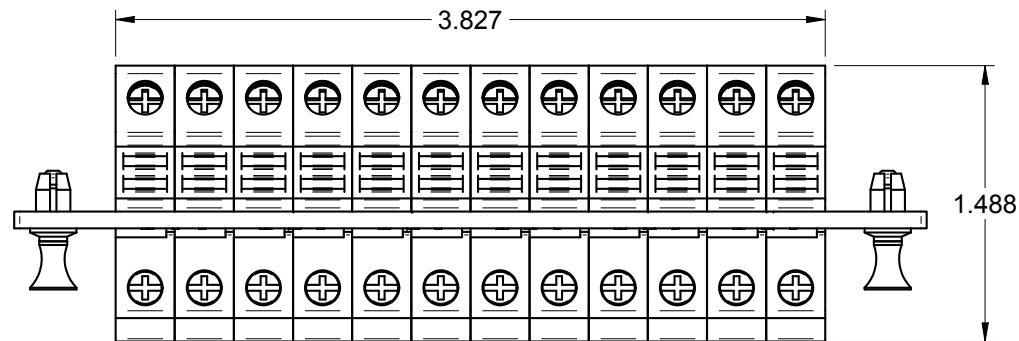
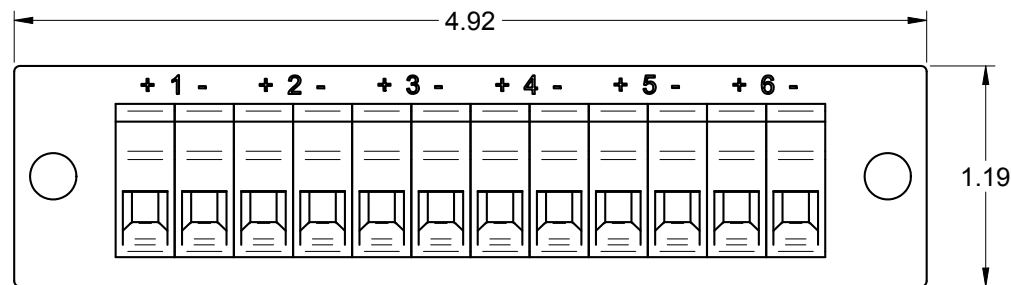


"OPTICAL CABLE CORPORATION (OCC)
RESERVES THE RIGHT TO REVISE ANY
AND ALL DESIGN SPECIFICATIONS."

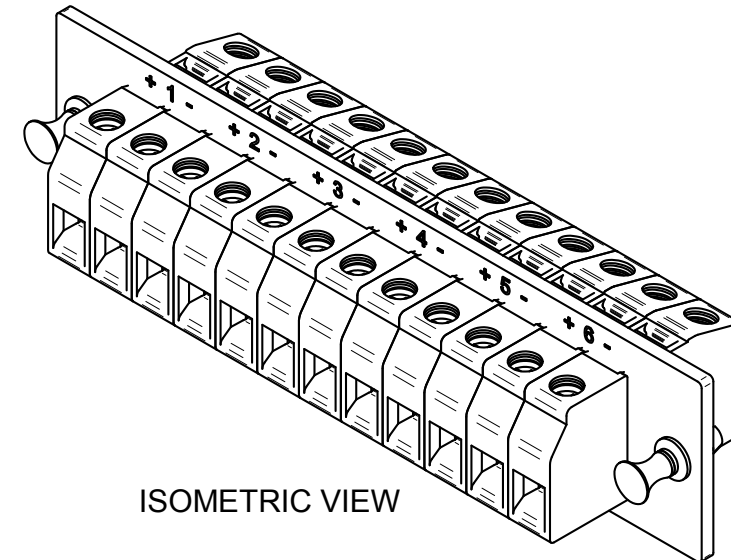
UNCONTROLLED COPY



TOP VIEW



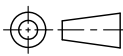
FRONT VIEW



ISOMETRIC VIEW

FEATURES

- PROVIDE PASS-THROUGH/TRANSITION FOR CONNECTING UP TO (6) DC POWER SUPPLY OUTPUTS TO DISTRIBUTION CABLE
- FITS 600 SERIES RTC/RTS, WTC ENCLOSURES AND STACKABLE CASSETTE BRACKETS
- TERMINATES 10-30 AWG COPPER CONDUCTORS
- FRONT AND REAR TERMINAL CONNECTIONS
- RATING: 300V, 30A

THIRD ANGLE PROJECTION 

CRITICAL DIMENSION CODE
 (F) = FUNCTION
 (M) = MATING
 (A) = AUDIT

UNLESS OTHERWISE SPECIFIED DIMENSIONS ARE IN INCHES.
 TOLERANCES: FRACTIONS ±1/32"
 ANGLES ±1/2°
 3 PLACE DECIMALS ±.015"
 2 PLACE DECIMALS ±.03"

MATERIAL SEE BILL OF MATERIAL

FINISH SEE NOTES

THIS DRAWING AND THE DESIGN SHOWN ARE THE PROPERTY OF OPTICAL CABLE CORPORATION AND MAY NOT BE USED AS THE BASIS FOR MANUFACTURE OR SALE WITHOUT SPECIFIC WRITTEN PERMISSION OF OPTICAL CABLE CORPORATION.	
DRAWN D.A.HOLBERT	DATE 7/18/17
CHECKED J.HOWE	DATE 12/20/17
ENGINEER J.YANIK	DATE 7/18/17
APPROVED J.CALLOWAY	DATE 12/20/17
PREVIOUS DWG	
NEXT DWG	

6112DCPASS	ADAPTER PLATE ASSY, 6-CIRCUIT DC POWER PASS-THRU
OCC PART NO.	DESCRIPTION



33 Superior Way
Swannanoa, NC 28778
Phone: 828-298-2260
Fax: 828-298-2487
www.occfiber.com

DWG TITLE ASSY, ADAPTER PLATE, 6-CIRCUIT DC POWER PASS-THRU		
SIZE B	DWG NO. C112847	REV A
FILENAME C112847A.dft	SCALE: NONE	SHEET 1 OF 1