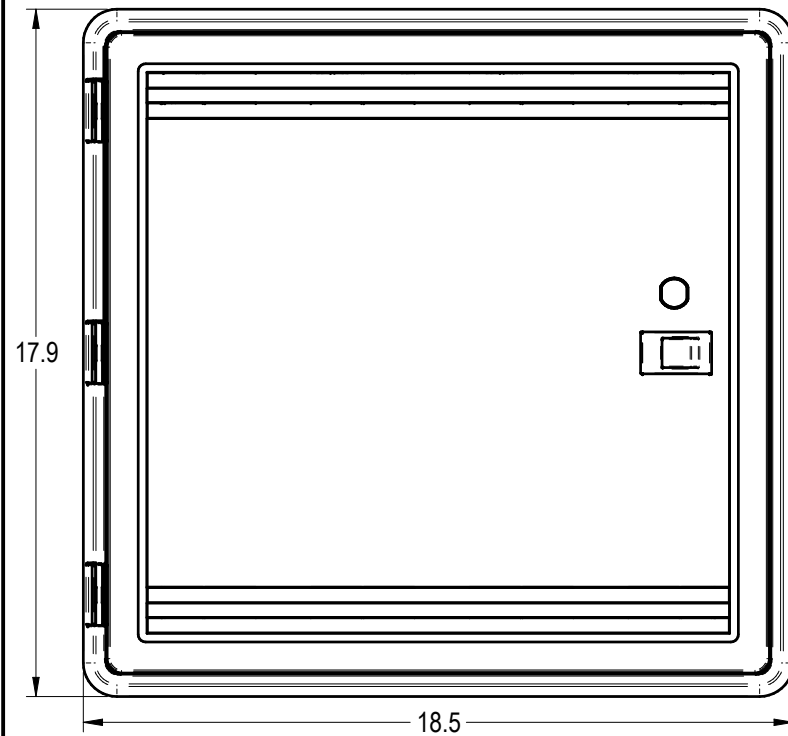
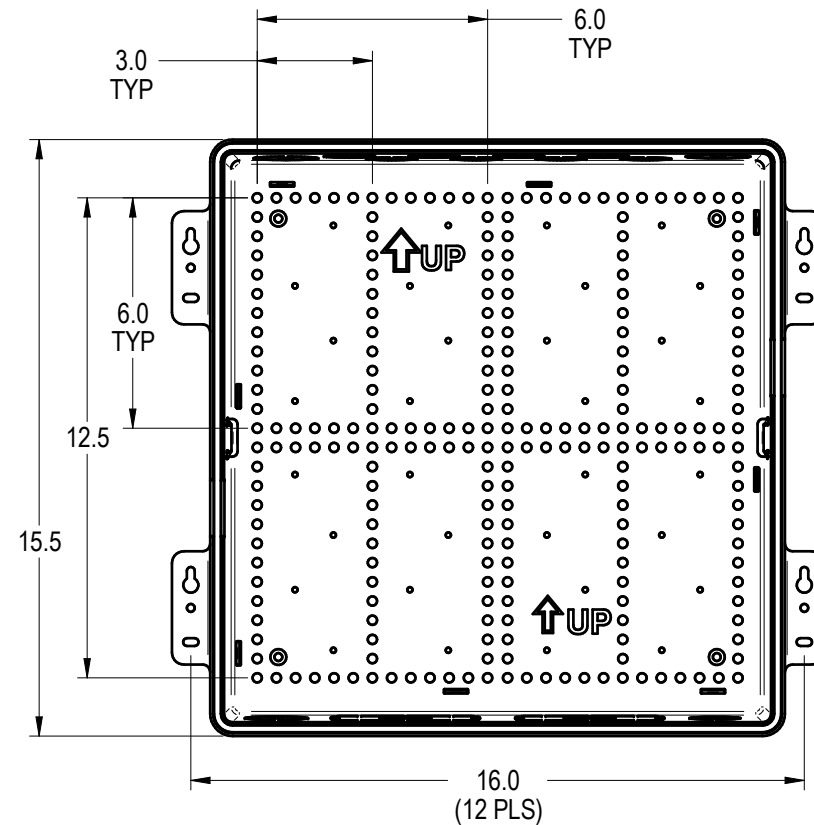


"OPTICAL CABLE CORPORATION (OCC)
RESERVES THE RIGHT TO REVISE ANY
AND ALL DESIGN SPECIFICATIONS."

UNCONTROLLED COPY



FRONT VIEW (LID ON)



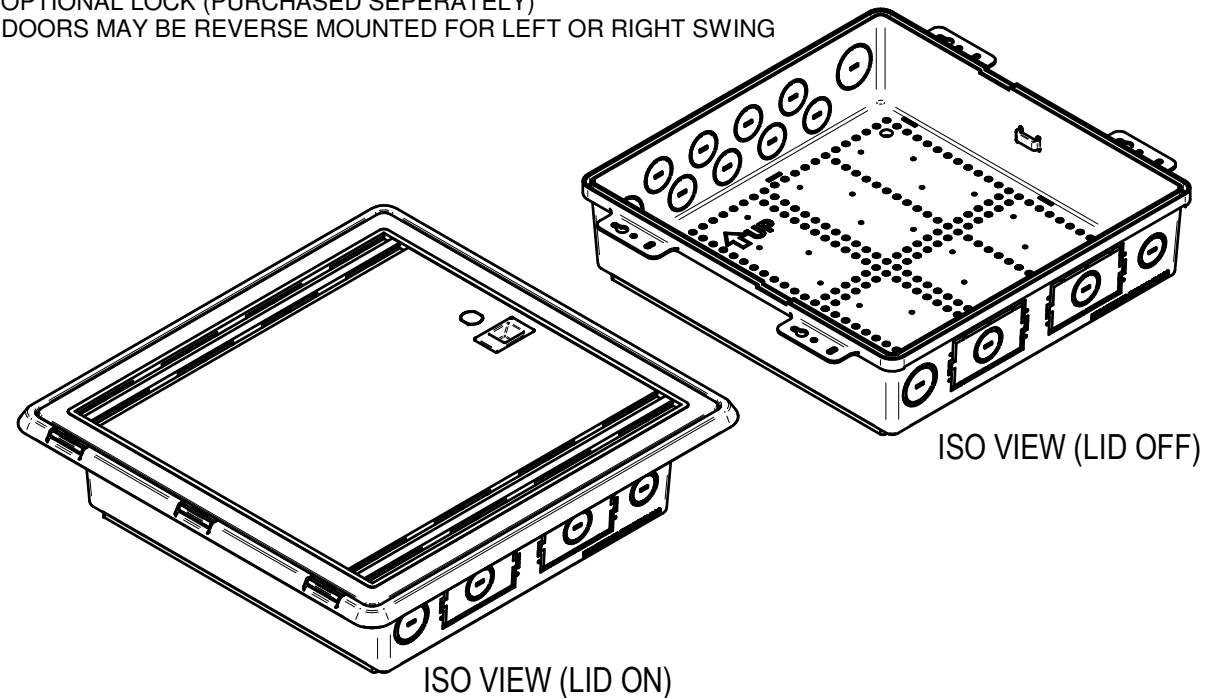
FRONT VIEW (LID OFF)

DIMENSIONS
ENCLOSURE: 15.0" X 14.42" X 3.9"
COVER: 17.9" X 18.5" X .5" THK

MATERIAL
• UL94-V0 ABS PLASTIC CONSTRUCTION
• COLOR: WHITE

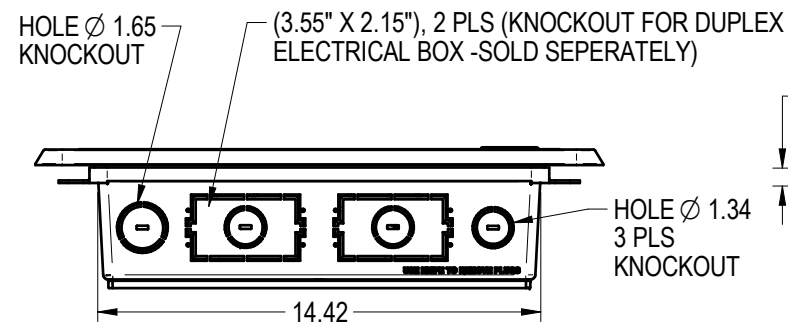
SAFETY
• UL 1863, COMMUNICATIONS CIRCUIT ACCESSORIES
• UL 2416, STANDARD FOR AUDIO/VIDEO, INFORMATION AND COMMUNICATION TECHNOLOGY EQUIPMENT CABINET, ENCLOSURE AND RACK SYSTEMS

FEATURES
• HINGED VENTED DOORS FOR HEAT DISSIPATION
• OPTIONAL LOCK (PURCHASED SEPERATELY)
• DOORS MAY BE REVERSE MOUNTED FOR LEFT OR RIGHT SWING

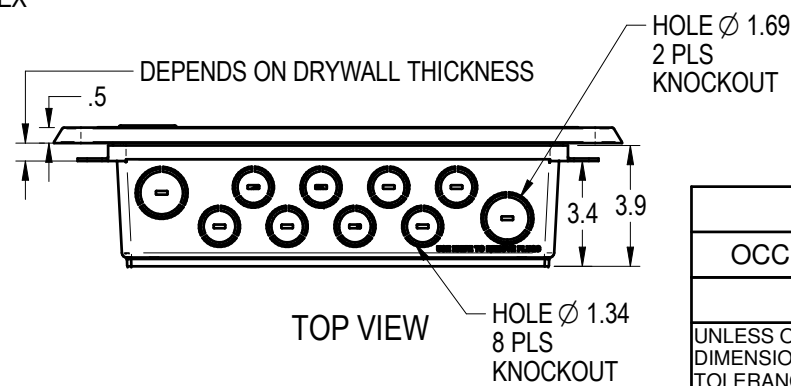


ISO VIEW (LID ON)

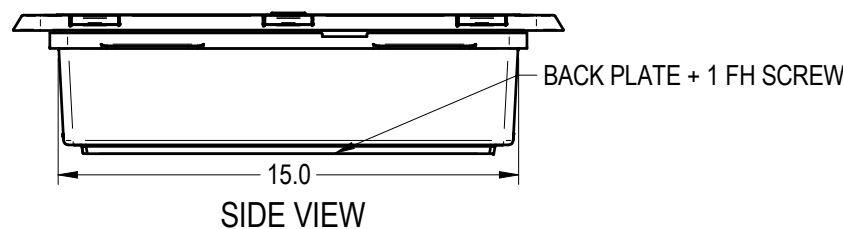
ISO VIEW (LID OFF)



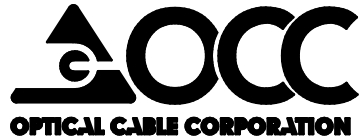
BOTTOM VIEW



TOP VIEW



SIDE VIEW

MSDE15P	15" PLASTIC ENCLOSURE WITH HINGED DOOR
OCC PART NUMBER	DESCRIPTION
UNCONTROLLED COPY	
UNLESS OTHERWISE SPECIFIED DIMENSIONS ARE IN INCHES. TOLERANCES: FRACTIONS ±1/32" ANGLES ±1/2° 3 PLACE DECIMALS ±.005" 2 PLACE DECIMALS ±.01"	THIS DRAWING AND THE DESIGN SHOWN ARE THE PROPERTY OF OPTICAL CABLE CORPORATION AND MAY NOT BE USED AS THE BASIS FOR MANUFACTURE OR SALE WITHOUT SPECIFIC WRITTEN PERMISSION OF OPTICAL CABLE CORPORATION.
DRAWN C. MILLER	DATE 1/28/19
CHECKED	DATE
ENGINEER C. MILLER	DATE 1/28/19
APPROVED J. CALLOWAY	DATE 1/31/19
PREVIOUS DWG	
NEXT DWG	FILENAME C113135A.dft
	
5290 Concourse Drive Roanoke, VA 24019 Phone: 800-622-7711 Fax: 540-265-0724 www.occfiber.com	
DWG TITLE MSDE15P ENCLOSURE	
SIZE B	DWG NO. C113135
REV A	
SCALE: NONE	SHEET 1 OF 1

THIRD ANGLE PROJECTION

CRITICAL DIMENSION CODE
 (F) = FUNCTION
 (M) = MATING
 (A) = AUDIT

MATERIAL
UL94-V0 ABS PLASTIC
(ENCLOSURE, DOOR, AND DOOR FRAME)

FINISH
WHITE