

OCC P/N: MODP-V4

BANDWIDTH MHZ	5-47	47-160	160-320	320-470	470-860	860-1000
INSERTION LOSS IN-OUT (dB MAX)	8.1	8.1	8.1	8.1	8.1	8.1
RETURN LOSS INPUT (dB MIN)	18	18	18	18	18	18
RETURN LOSS OUTPUT (dB MIN)	18	18	18	18	18	18
ISOLATION OUT-OUT (dB MIN)	24	24	24	24	24	24

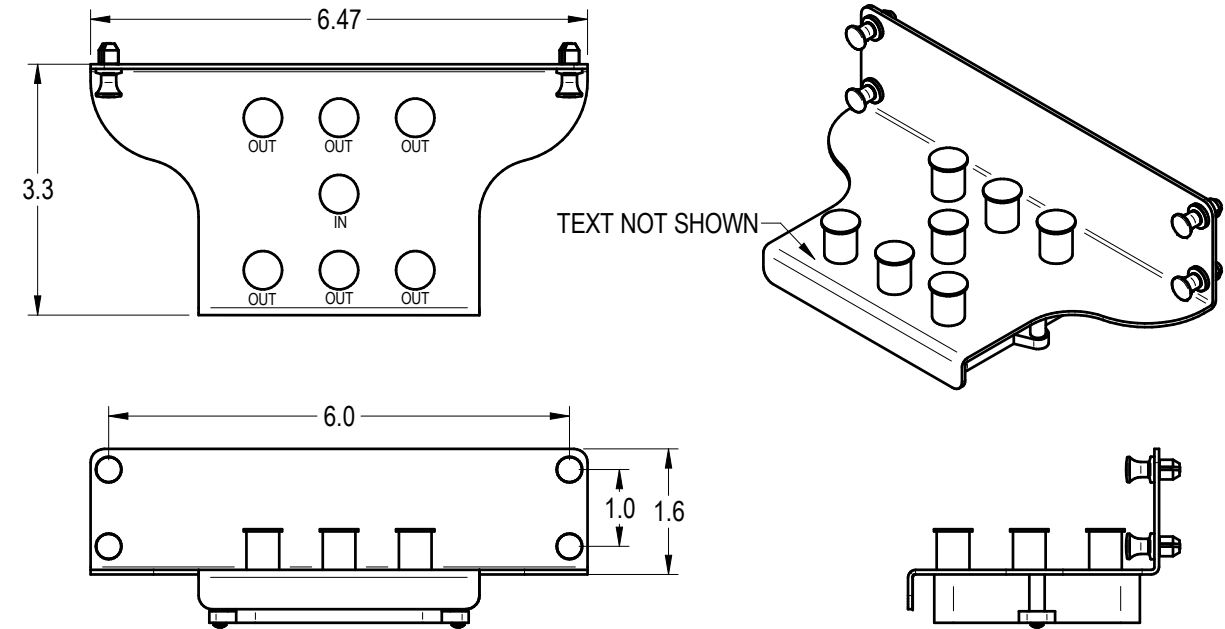
PERFORMANCE TABLE FOR MODP-V4

FEATURES:

- 5 - 1000 MHZ BANDWIDTH
- F-STYLE CONNECTORS
- PUSH-PIN FASTENERS FOR QUICK AND EASY MOUNTING TO MSDE15P AND MSDE30P ENCLOSURES

"OPTICAL CABLE CORPORATION (OCC) RESERVES THE RIGHT TO REVISE ANY AND ALL DESIGN SPECIFICATIONS."

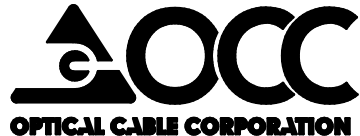
**UNCONTROLLED COPY**



OCC P/N: MODP-V6

BANDWIDTH MHZ	5-47	47-470	470-750	750-1000
INSERTION LOSS IN-OUT (dB MAX)	10.6	11.0	11.5	11.5
RETURN LOSS INPUT (dB MIN)	18.0	20	20	19.5
RETURN LOSS OUTPUT (dB MIN)	18	20	20	20
ISOLATION OUT-OUT (dB MIN)	25	22	22	22

PERFORMANCE TABLE FOR MODP-V6

MODP-V6	VIDEO MODULE, 6 WAY, 1GHZ, MSDE																								
MODP-V4	VIDEO MODULE, 4 WAY, 1GHZ, MSDE																								
OCC PART NUMBER	DESCRIPTION																								
<b>UNCONTROLLED COPY</b>																									
UNLESS OTHERWISE SPECIFIED DIMENSIONS ARE IN INCHES. TOLERANCES: FRACTIONS ±1/32" ANGLES ±1/2° 3 PLACE DECIMALS ±.005" 2 PLACE DECIMALS ±.01"	THIS DRAWING AND THE DESIGN SHOWN ARE THE PROPERTY OF OPTICAL CABLE CORPORATION AND MAY NOT BE USED AS THE BASIS FOR MANUFACTURE OR SALE WITHOUT SPECIFIC WRITTEN PERMISSION OF OPTICAL CABLE CORPORATION.																								
MATERIAL BRACKET: STEEL SPLITTER: VARIOUS PUSH-PINS: PLASTIC	FINISH BRACKET: BLACK SPLITTER: VARIOUS PUSH-PINS: BLACK																								
THIRD ANGLE PROJECTION	<table border="1"> <tr> <td>DRAWN</td> <td>C. MILLER</td> <td>DATE</td> <td>1/28/19</td> </tr> <tr> <td>CHECKED</td> <td></td> <td>DATE</td> <td></td> </tr> <tr> <td>ENGINEER</td> <td>C. MILLER</td> <td>DATE</td> <td>1/28/19</td> </tr> <tr> <td>APPROVED</td> <td>J. CALLOWAY</td> <td>DATE</td> <td>1/31/19</td> </tr> <tr> <td>PREVIOUS DWG</td> <td></td> <td></td> <td></td> </tr> <tr> <td>NEXT DWG</td> <td></td> <td>FILENAME</td> <td>C113200A.dft</td> </tr> </table>	DRAWN	C. MILLER	DATE	1/28/19	CHECKED		DATE		ENGINEER	C. MILLER	DATE	1/28/19	APPROVED	J. CALLOWAY	DATE	1/31/19	PREVIOUS DWG				NEXT DWG		FILENAME	C113200A.dft
DRAWN	C. MILLER	DATE	1/28/19																						
CHECKED		DATE																							
ENGINEER	C. MILLER	DATE	1/28/19																						
APPROVED	J. CALLOWAY	DATE	1/31/19																						
PREVIOUS DWG																									
NEXT DWG		FILENAME	C113200A.dft																						
																									
5290 Concourse Drive Roanoke, VA 24019 Phone: 800-622-7711 Fax: 540-265-0724 www.occfiber.com																									
DWG TITLE <b>VIDEO MODULES, 4 AND 6 WAY, 1GHZ, MSDE</b>																									
SIZE <b>B</b>	DWG NO. <b>C113200</b>																								
SCALE: NONE	SHEET 1 OF 1																								
REV <b>A</b>																									